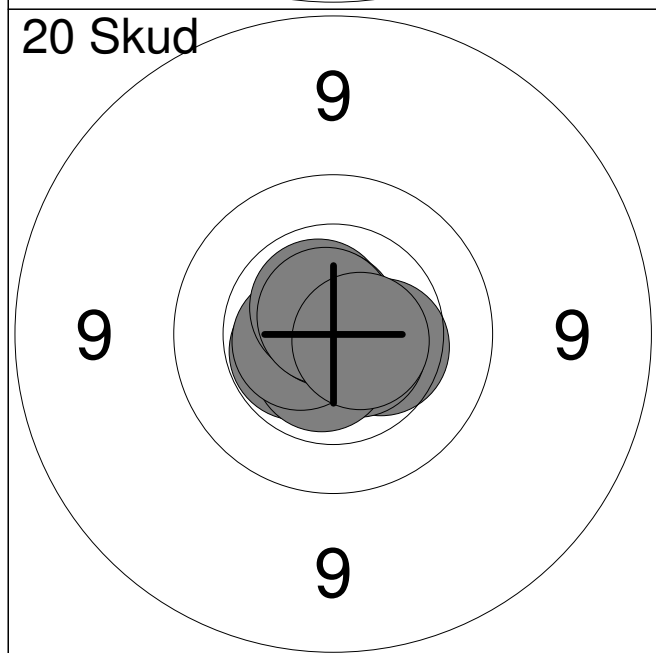
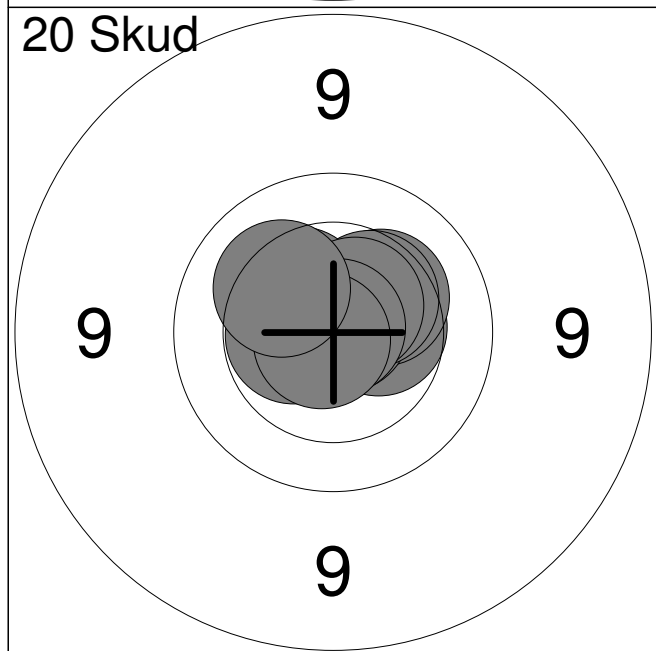


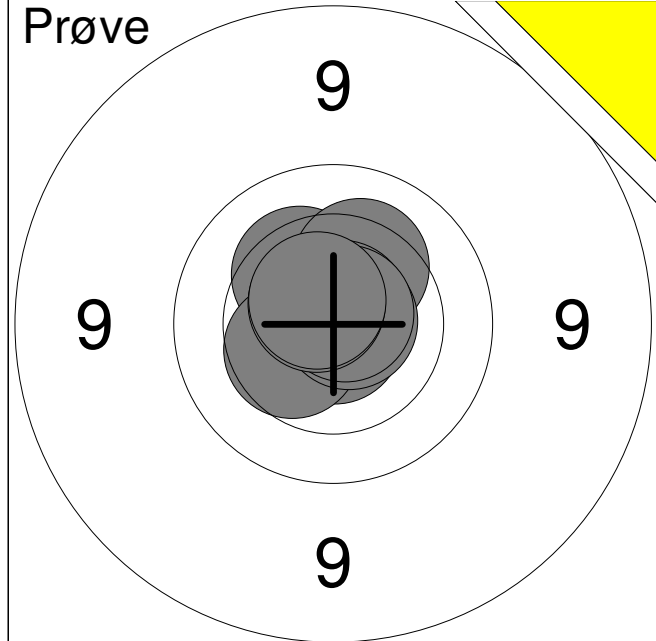
1:	9.1	↑
2:	10.0	→
3:	9.9	↗
4:	10.5	↘
5:	10.4	↘
6:	10.7x	→
7:	10.9x	↓
8:	10.3	↘
9:	10.9x	↙
10:	10.7x	→
Serie		98
Total		0



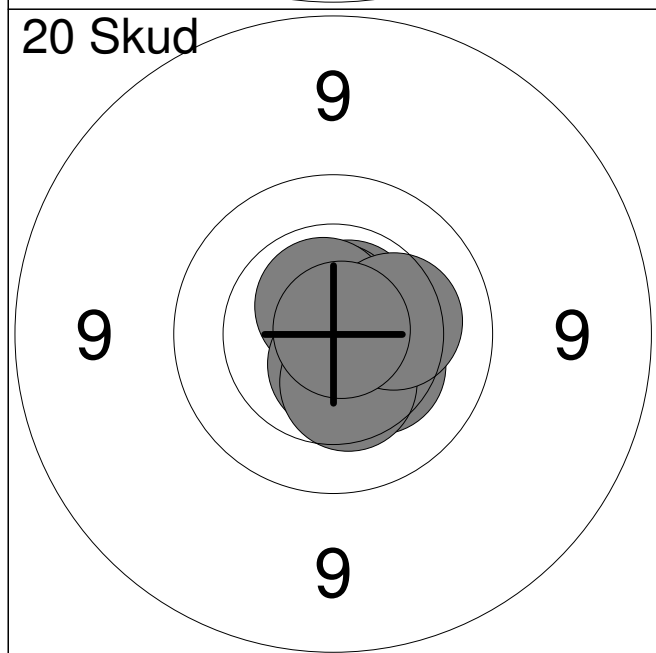
1:	10.9x	↘
2:	10.4	→
3:	10.6x	↘
4:	10.5x	←
5:	10.6x	↘
6:	10.6x	←
7:	10.6x	↗
8:	10.8x	↑
9:	10.7x	↑
10:	10.6x	→
Serie		100
Total		100



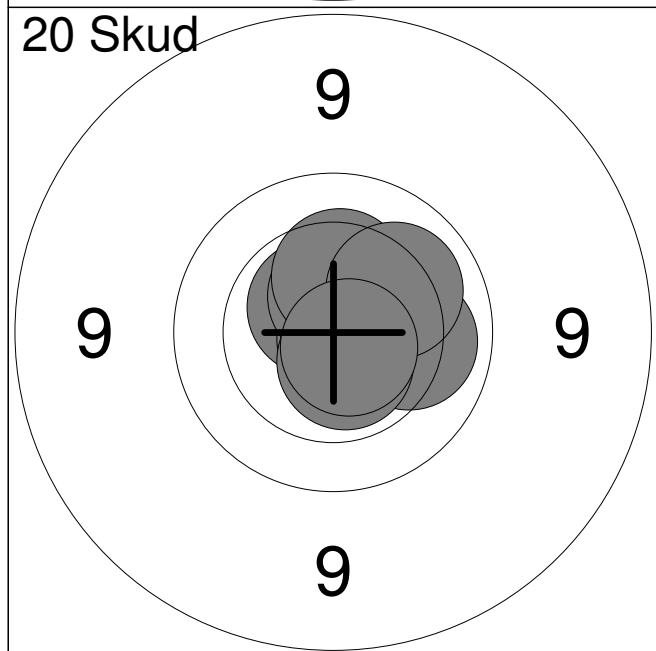
11:	10.4	→
12:	10.3	↗
13:	10.5x	←
14:	10.8x	↗
15:	10.4	↗
16:	10.4	↗
17:	10.6x	↗
18:	10.9x	↗
19:	10.8x	↙
20:	10.2	↖
Serie		100
Total		200



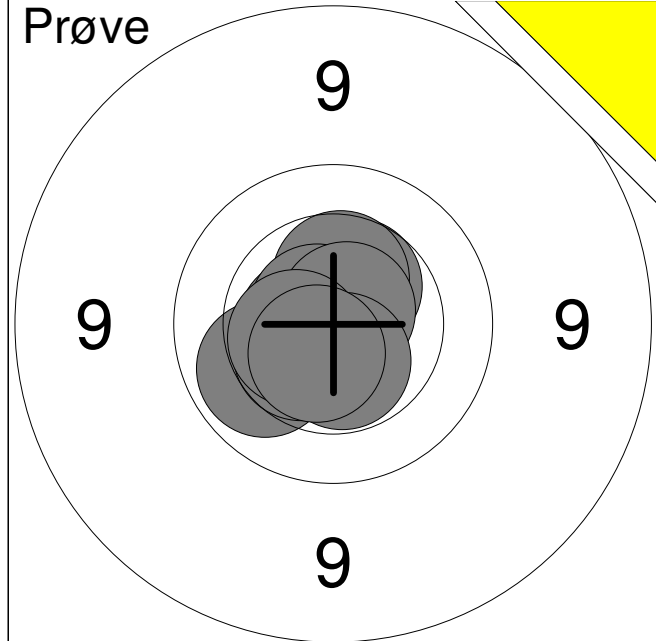
1:	10.3	↖
2:	10.3	↗
3:	10.8x	↓
4:	10.8x	↗
5:	10.4	↖
6:	10.8x	→
7:	10.8x	↗
8:	10.7x	↗
9:	10.6x	↗
Serie		90
Total		0



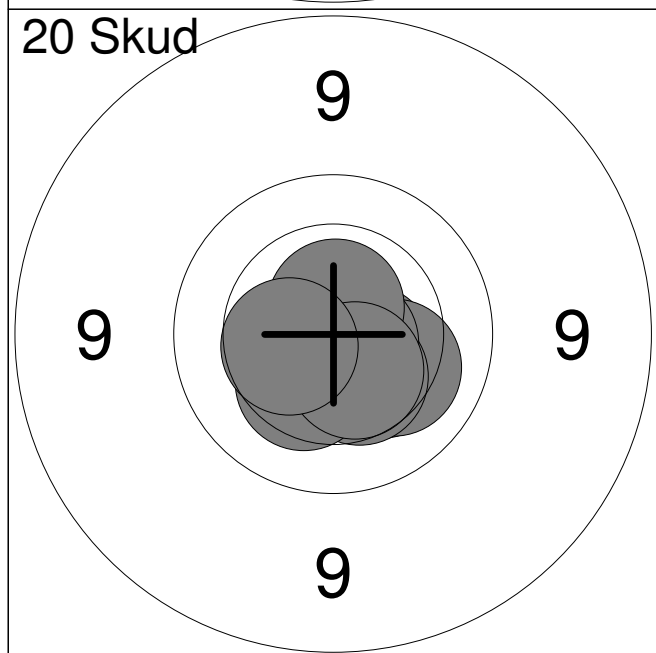
1:	10.6x	↗
2:	10.6x	↗
3:	10.7x	↑
4:	10.6x	↗
5:	10.3	↘
6:	10.6x	↘
7:	10.6x	→
8:	10.4	↘
9:	10.3	→
10:	10.8x	↗
Serie		100
Total		100



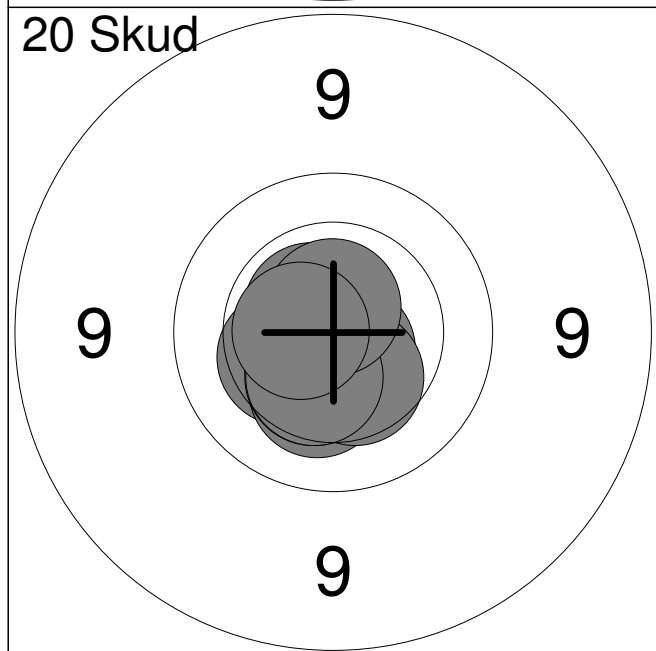
11:	10.6x	↗
12:	10.7x	→
13:	10.7x	→
14:	10.1	→
15:	10.8x	↘
16:	10.6x	↘
17:	10.5x	↑
18:	10.3	↑
19:	10.1	↗
20:	10.7x	↘
Serie		100
Total		200



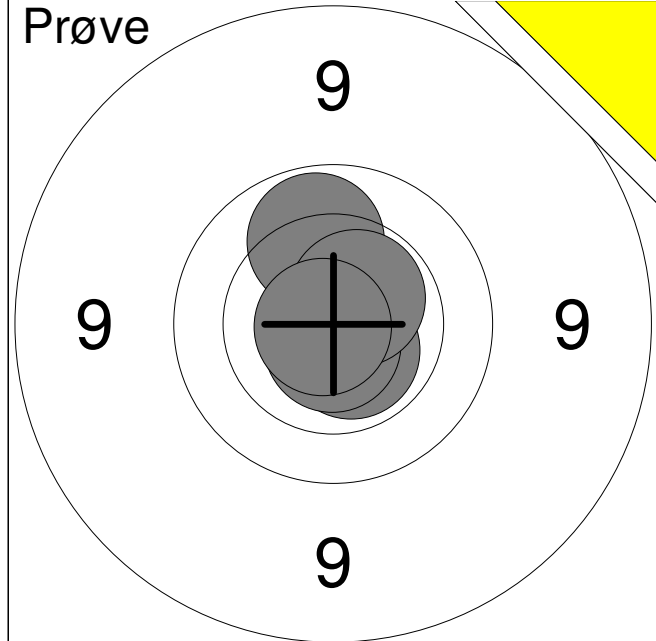
1:	10.5	↗
2:	10.4	↑
3:	10.7x	←
4:	10.7x	↖
5:	10.7x	↗
6:	10.1	↖
7:	10.5	↖
8:	10.5x	↓
9:	10.5x	←
10:	10.6x	↘
Serie		100
Total		0



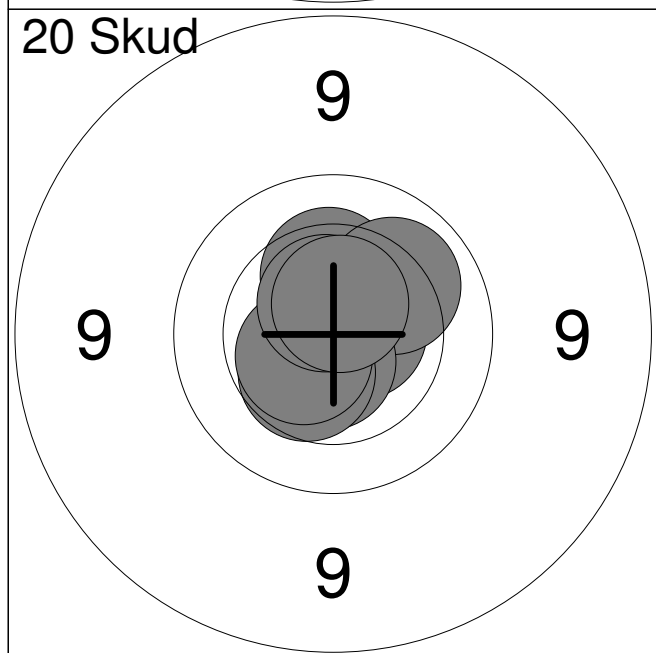
1:	10.3	↘
2:	10.5x	↘
3:	10.2	↘
4:	10.4	↘
5:	10.7x	←
6:	10.3	↘
7:	10.7x	↘
8:	10.7x	↑
9:	10.5	↘
10:	10.4	←
Serie		100
Total		100



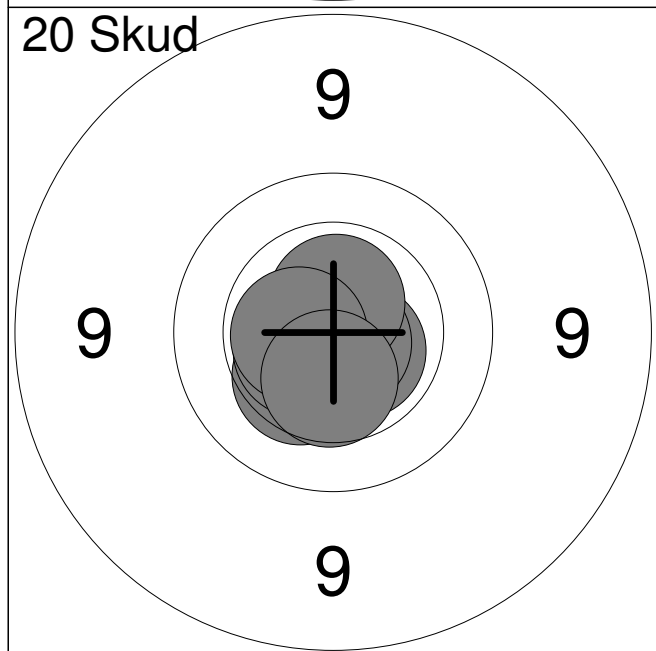
11:	10.4	↖
12:	10.5x	↘
13:	10.7x	↘
14:	10.3	↘
15:	10.4	↘
16:	10.4	↘
17:	10.4	↘
18:	10.6x	↗
19:	10.7x	↑
20:	10.6x	←
Serie		100
Total		200



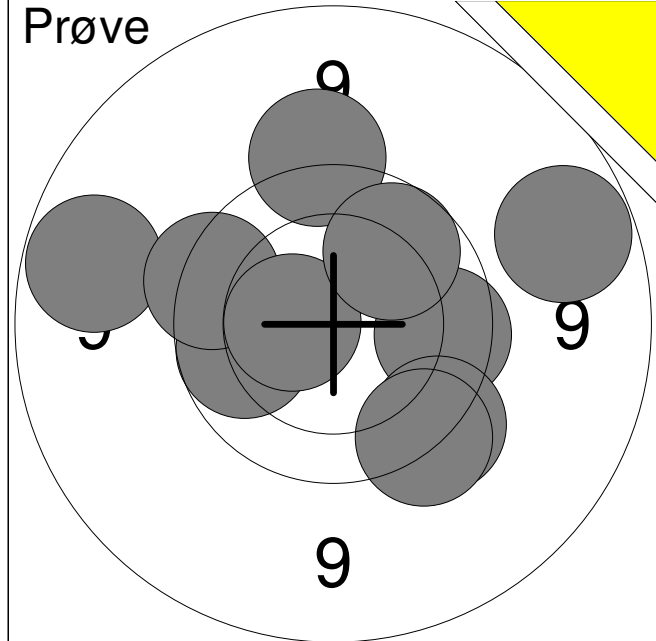
1:	10.0	↑
2:	10.6x	↓
3:	10.7x	↓
4:	10.6x	↗
5:	10.8x	←
Serie		50
Total		0



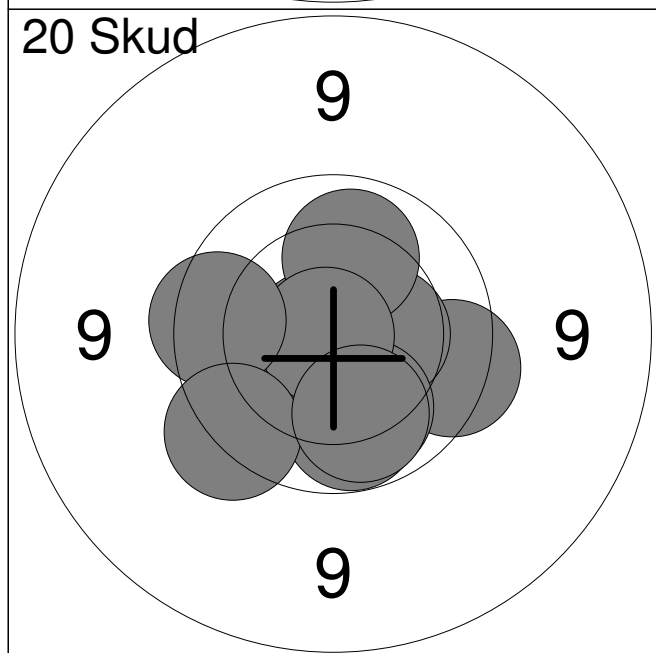
1:	10.7x	↑
2:	10.7x	→
3:	10.8x	←
4:	10.3	↑
5:	10.1	↗
6:	10.6x	↓
7:	10.4	↘
8:	10.5x	←
9:	10.6x	↑
10:	10.6x	↑
Serie		100
Total		100



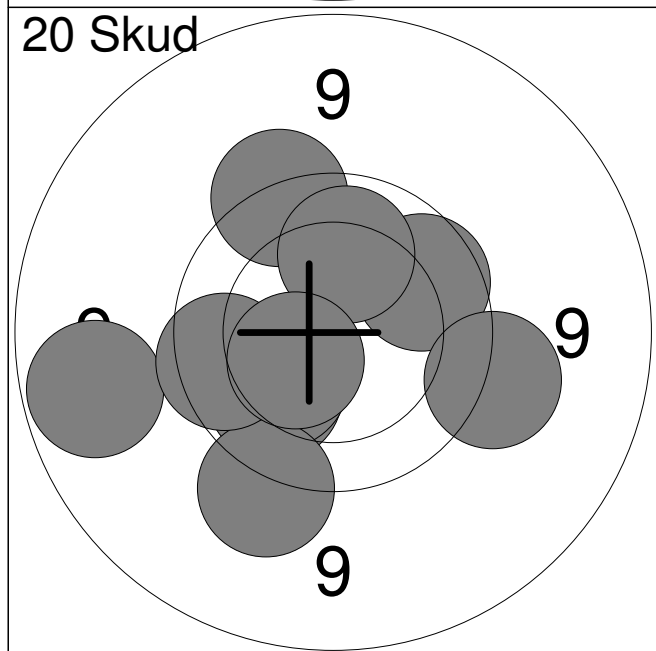
11:	10.7x	←
12:	10.3	↘
13:	10.7x	←
14:	10.6x	←
15:	10.6x	↘
16:	10.8x	↘
17:	10.7x	←
18:	10.6x	↑
19:	10.6x	←
20:	10.4	↓
Serie		100
Total		200



1:	9.0	➔
2:	9.5	↑
3:	9.8	➔
4:	9.6	↘
5:	9.0	←
6:	9.9	←
7:	9.7	←
8:	9.6	↘
9:	10.5x	←
10:	9.9	↗
Serie	91	
Total	0	

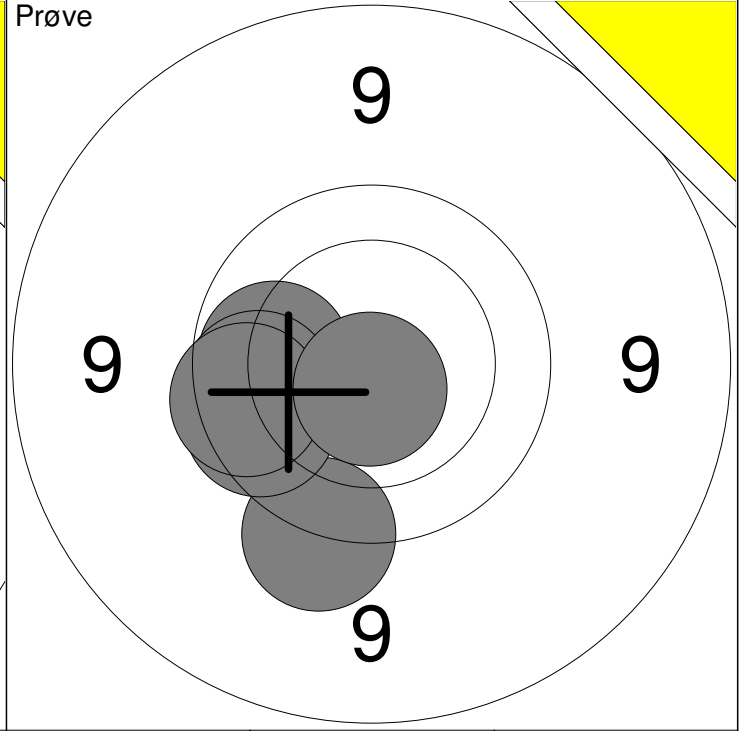
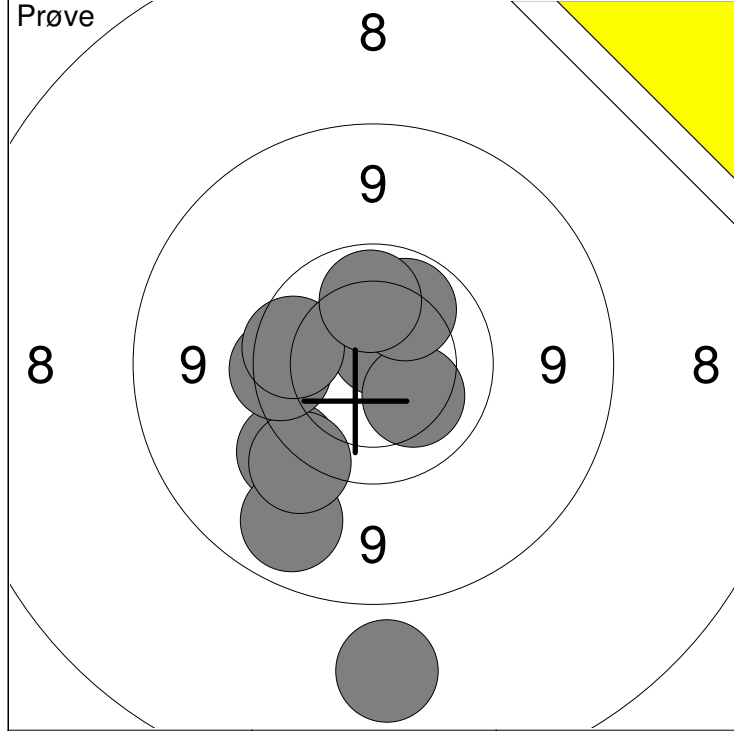


1:	9.7	➔
2:	10.4	➔
3:	10.0	↘
4:	10.8x	←
5:	10.1	↑
6:	10.1	↘
7:	10.9x	←
8:	9.8	←
9:	9.6	↘
10:	10.0	↘
Serie	97	
Total	97	



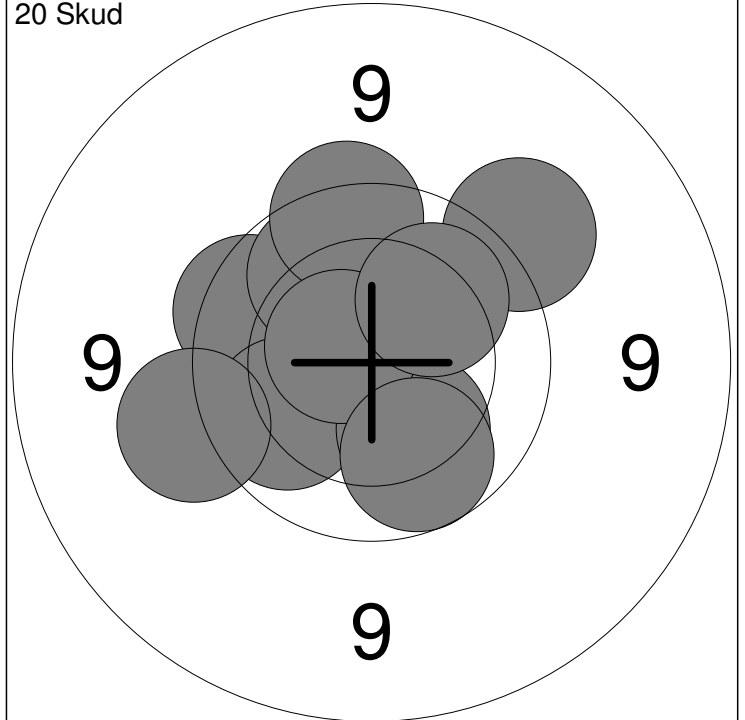
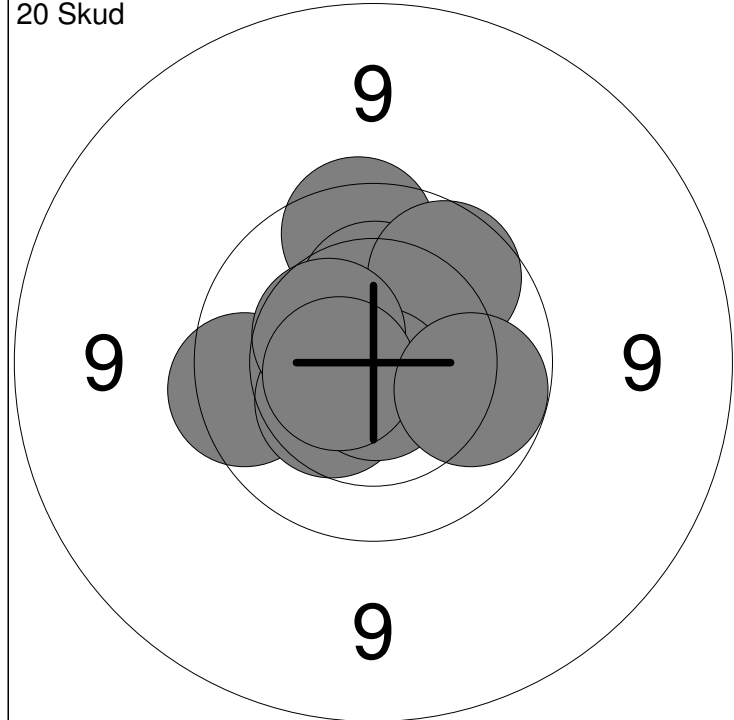
11:	9.9	↗
12:	10.0	↘
13:	9.0	←
14:	9.5	➔
15:	10.2	↘
16:	9.5	↘
17:	9.6	↑
18:	10.1	↑
19:	9.8	←
20:	10.4	↘
Serie	94	
Total	191	

Hold	Skive	Lucas Pedersen		
59	6	Aalborg	Frederikshavn Skyttekreds	BK3
02.02.2018	Nordjysk mesterskab 2018	Aalborg Skyttekreds		
Prøve 	1:	9.0	↙	
	2:	9.8	←	
	3:	9.3	←	
	4:	9.6	←	
	5:	10.4	↗	
	6:	10.2	↘	
	7:	9.8	←	
	8:	10.2	←	
	9:	10.4	↗	
	Serie			
Total				0
20 Skud 	1:	10.8x	↑	
	2:	10.0	←	
	3:	9.1	↙	
	4:	10.3	↑	
	5:	10.5x	→	
	6:	10.2	←	
	7:	10.0	↘	
	8:	10.3	↓	
	9:	10.1	↘	
	10:	10.0	←	
Serie				99
Total				99
20 Skud 	11:	9.6	→	
	12:	10.4	↗	
	13:	10.1	→	
	14:	10.8x	↗	
	15:	9.7	↘	
	16:	9.8	→	
	17:	9.7	↘	
	18:	10.2	←	
	19:	10.4	↑	
	20:	9.9	↘	
Serie				95
Total				194



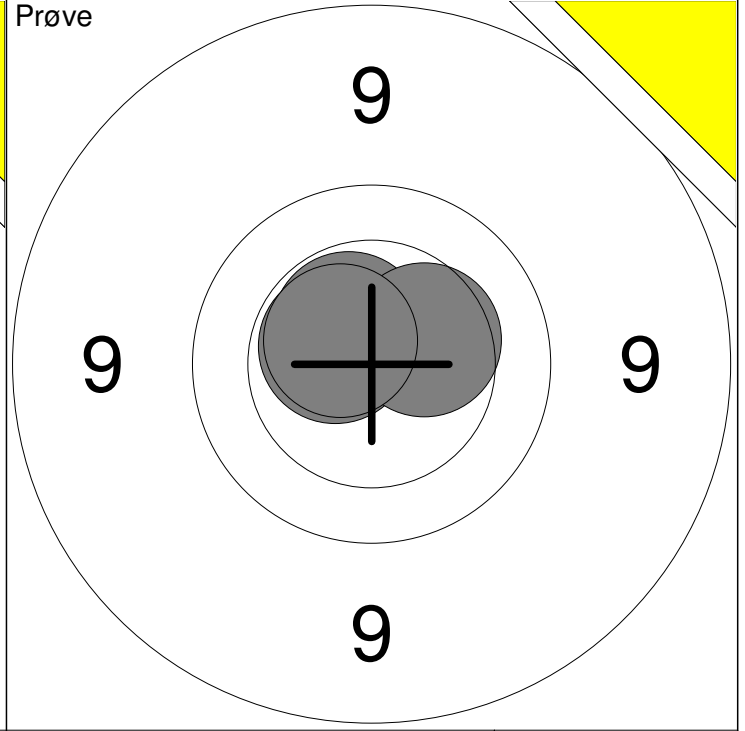
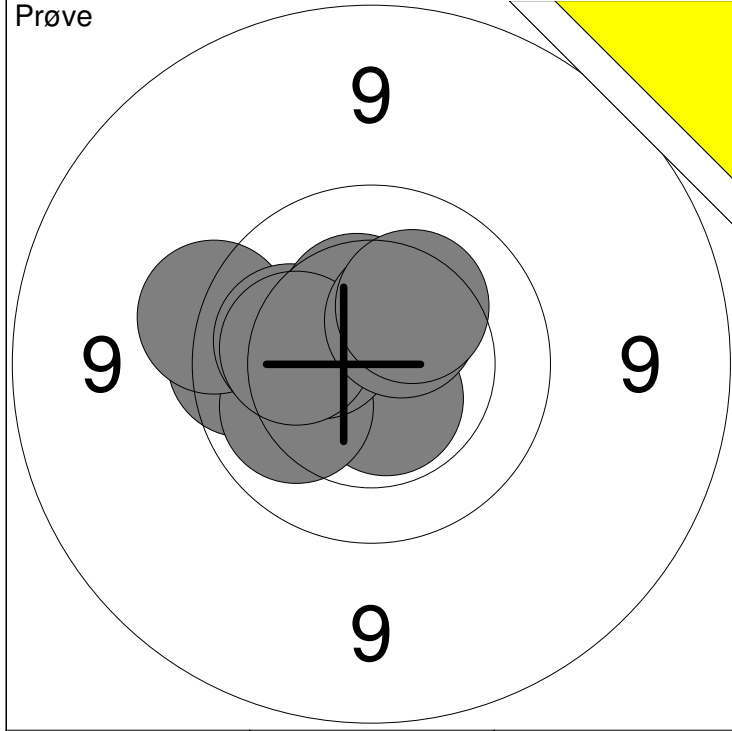
1: 8.3 ↓	6: 10.6x ↗	Serie 93
2: 9.5 ↙	7: 9.8 ←	
3: 9.0 ↘	8: 10.2 ↘	Total 0
4: 9.5 ↙	9: 10.0 ↗	
5: 9.7 ←	10: 10.0 ↑	

11: 10.0 ←	16: 10.7x ↓	Serie 56
12: 9.9 ←	13: 9.5 ↓	
14: 9.8 ←	15: 9.8 ←	Total 0



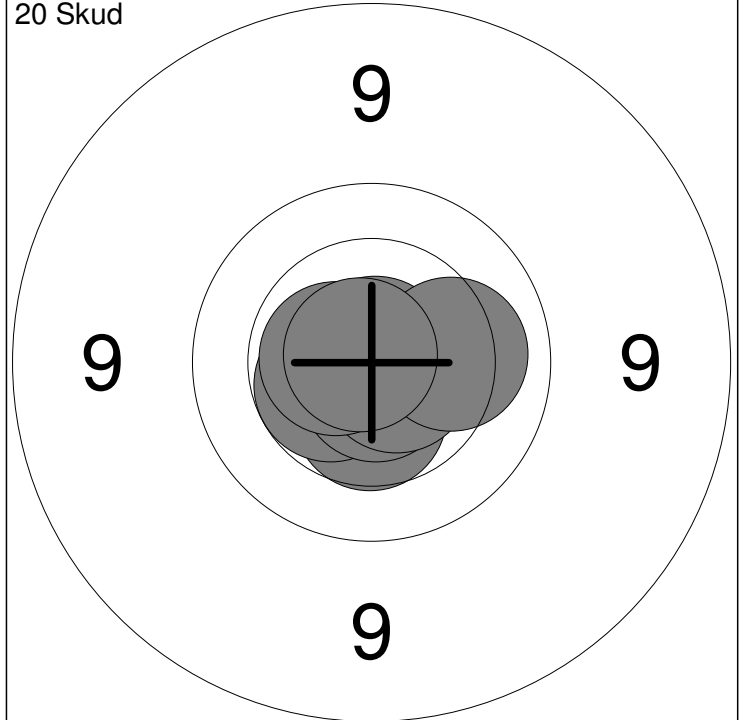
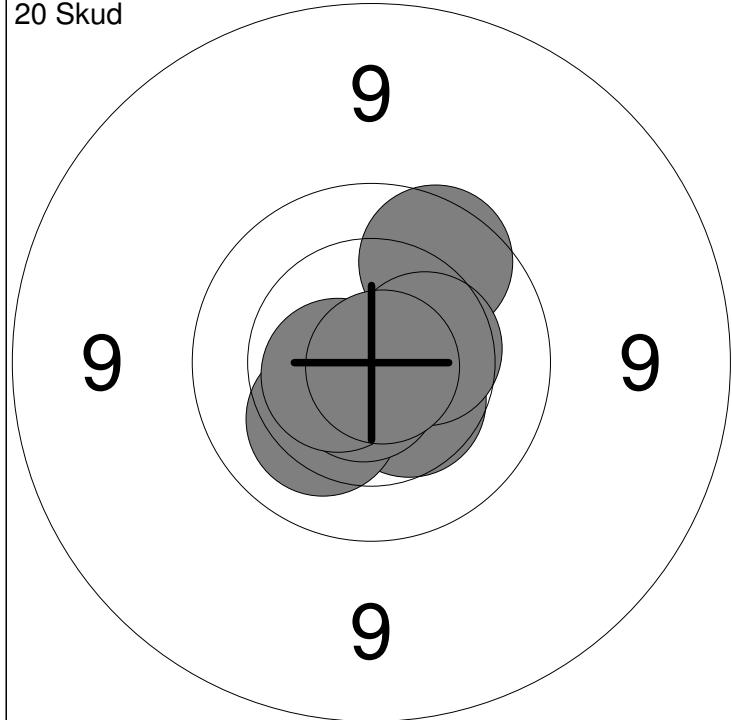
1: 10.6x ↖	6: 9.9 ↗	Serie 97
2: 9.8 ←	7: 10.7x ↓	
3: 9.8 ↑	8: 10.4 ↖	Total 97
4: 10.3 ↑	9: 10.6x ←	
5: 10.4 ↙	10: 10.0 →	

11: 9.8 ↖	16: 9.7 ↑	Serie 95
12: 9.4 ↗	17: 10.2 ↓	
13: 10.0 ↗	18: 10.6x ↖	Total 192
14: 10.0 ←	19: 10.1 ↗	
15: 9.5 ←	20: 9.9 ↓	



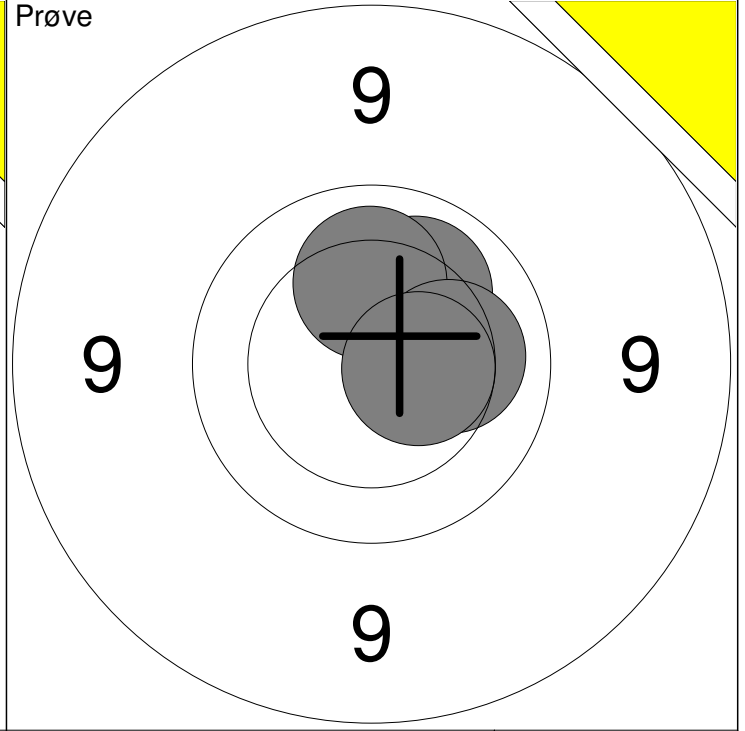
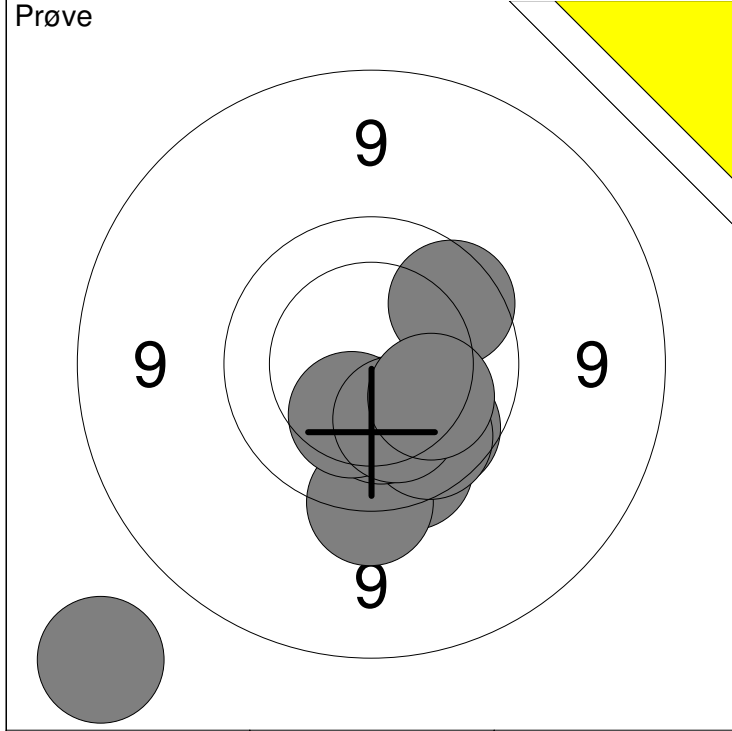
1: 9.8 ←	6: 10.1 ←	Serie	98
2: 10.6x ↓	7: 10.4 ↑		
3: 10.1 ←	8: 10.2 ←	Total	0
4: 9.6 ←	9: 10.4 ↗		
5: 10.4 ←	10: 10.3 ↗		

11: 10.5x ↖	Serie	40
12: 10.6x ↖		
13: 10.4 →	Total	0
14: 10.6x ↖		



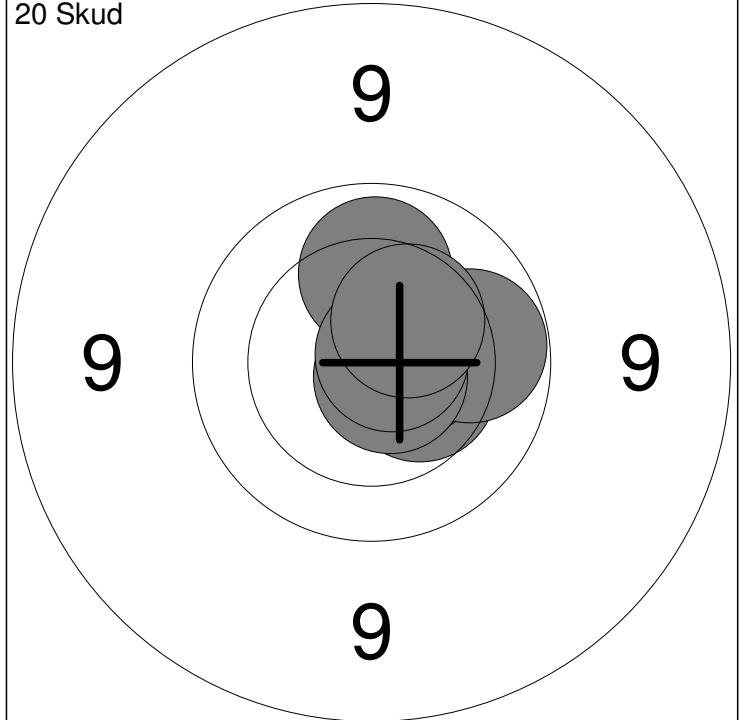
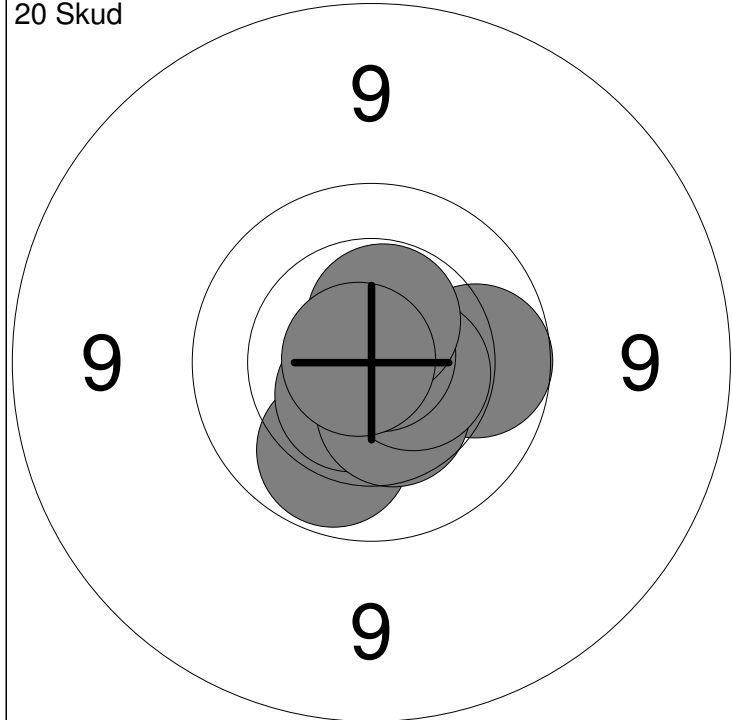
1: 9.9 ↗	6: 10.8x ↓	Serie	99
2: 10.7x ↓	7: 10.2 ↓		
3: 10.4 ↘	8: 10.7x ↓	Total	99
4: 10.4 →	9: 10.6x ←		
5: 10.8x ↓	10: 10.8x →		

11: 10.7x ↓	16: 10.7x ↓	Serie	100
12: 10.9x ↑	17: 10.7x ↘		
13: 10.4 ↓	18: 10.2 →	Total	199
14: 10.9x ↓	19: 10.6x ←		
15: 10.5 ↖	20: 10.8x ↖		



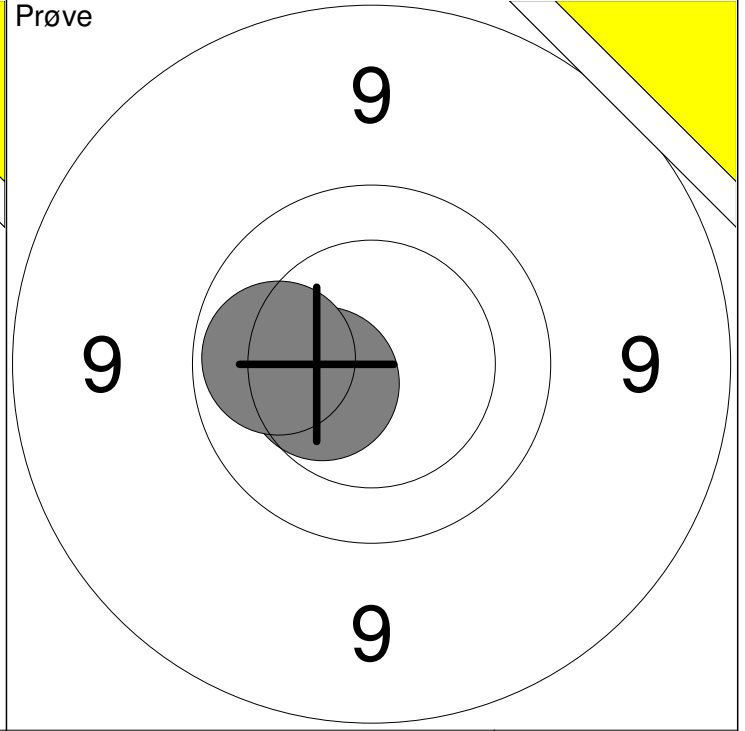
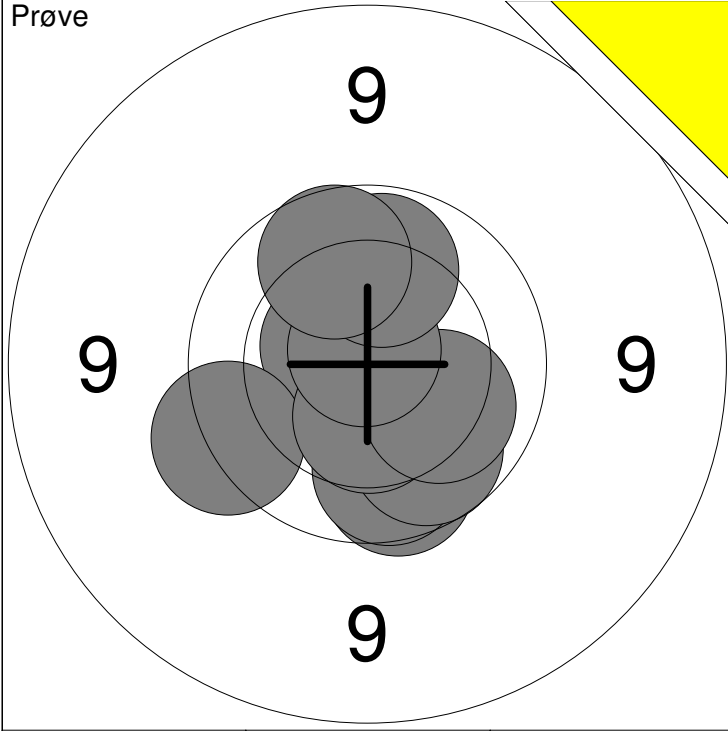
1: 8.2 ↙	6: 10.3 ↓	Serie	93
2: 9.8 ↓	7: 10.3 ↓		
3: 9.6 ↓	8: 10.2 ↓	Total	0
4: 9.9 ↓	9: 9.8 ↗		
5: 9.9 ↓	10: 10.1 ↘		

11: 10.1 ↗	Serie	40
12: 10.2 ↑		
13: 10.2 →	Total	0
14: 10.5x →		



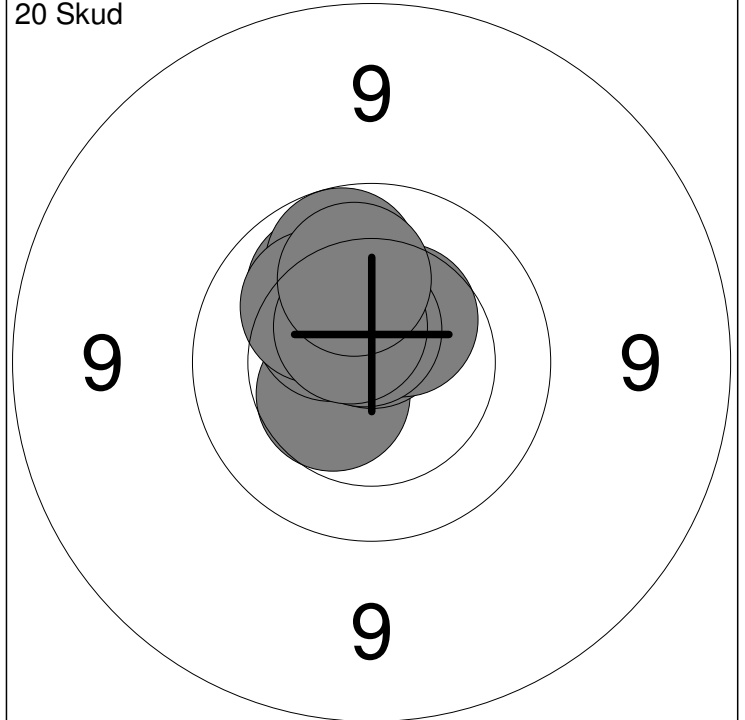
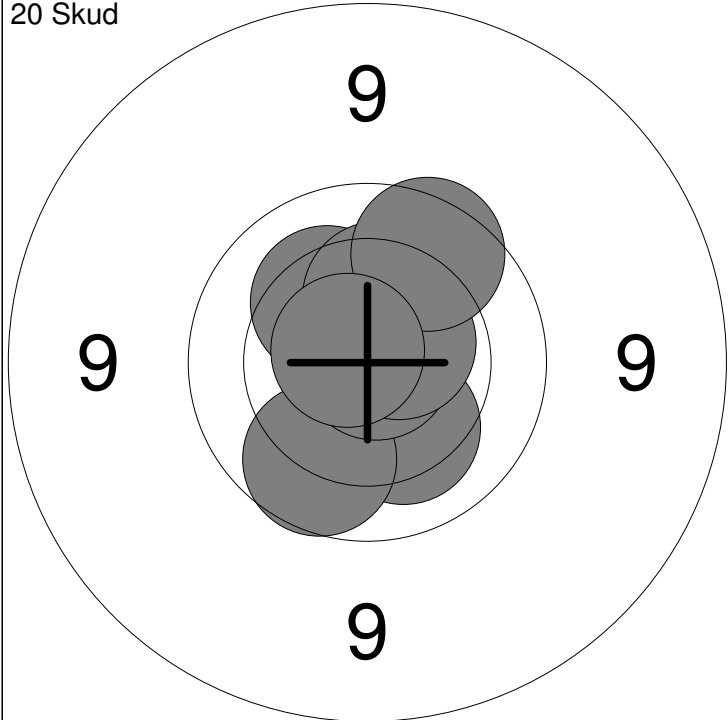
1: 10.0 ↓	6: 10.4 ↓	Serie	99
2: 9.9 →	7: 10.5x →		
3: 10.6x ↙	8: 10.8x ↗	Total	99
4: 10.7x →	9: 10.5x ↑		
5: 10.8x ↑	10: 10.8x ←		

11: 10.1 ↑	16: 10.6x →	Serie	100
12: 10.4 →	17: 10.0 →		
13: 10.4 →	18: 10.7x ↘	Total	199
14: 10.6x ↗	19: 10.7x ↗		
15: 10.5 ↗	20: 10.4 ↗		



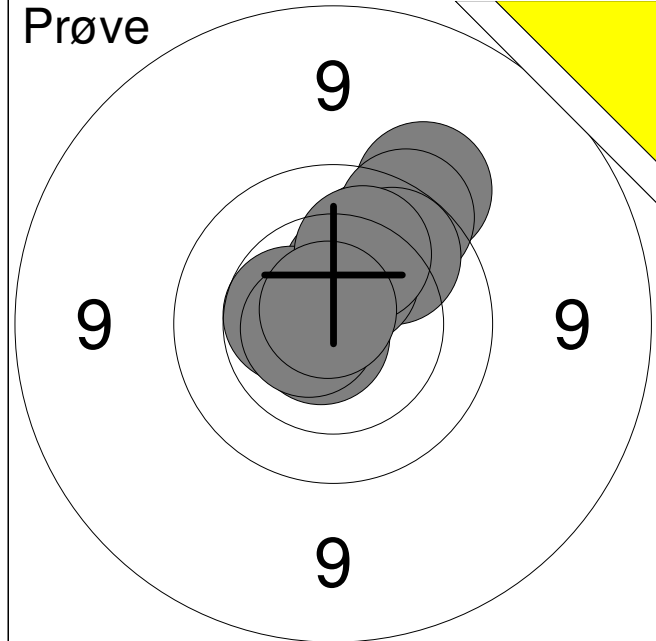
1: 9.9 ↓	6: 10.4 ↓	Serie	95
2: 10.6x ↗	7: 10.1 ↘		
3: 9.6 ←	8: 10.8x ↑	Total	0
4: 9.9 ↓	9: 10.0 ↑		
5: 9.9 ↓	10: 9.9 ↑		

11: 10.4 ←	Serie	20
12: 10.0 ←		
Total		0

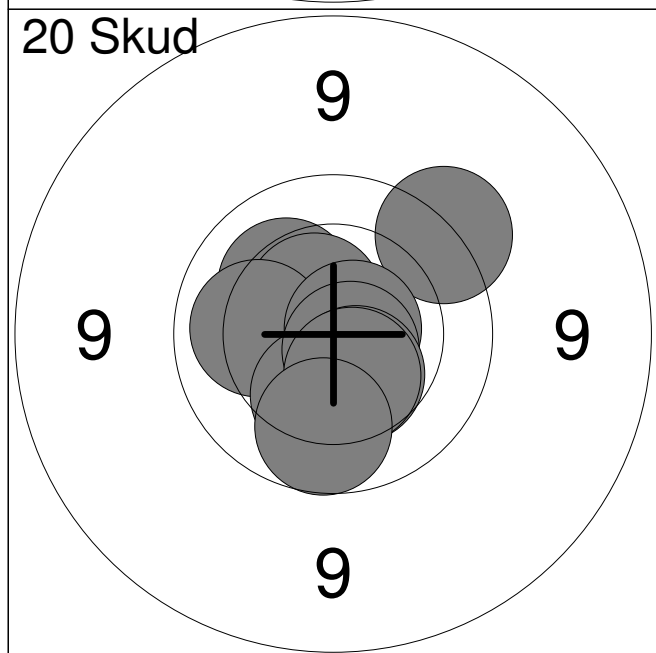


1: 10.4 ↑	6: 10.3 ↑	Serie	98
2: 10.2 ↓	7: 10.9x →		
3: 10.5x ↑	8: 10.6x ↗	Total	98
4: 10.2 ↗	9: 9.8 ↑		
5: 9.9 ↓	10: 10.7x ↖		

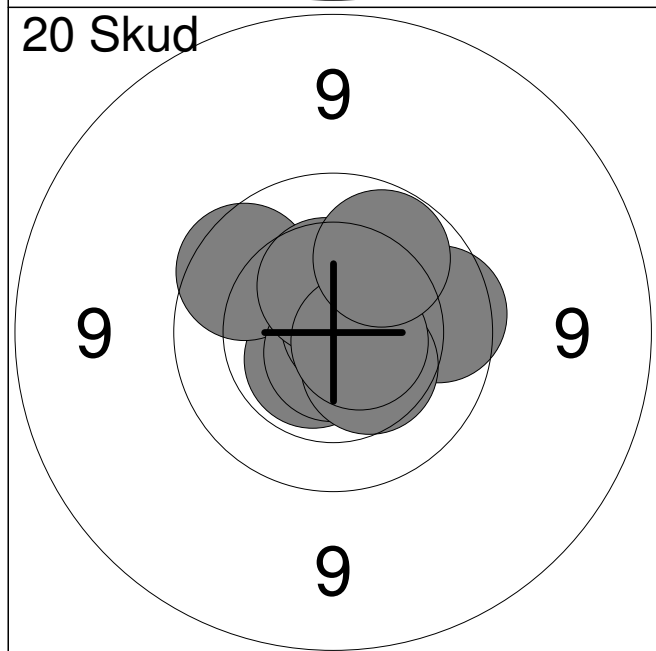
11: 10.5 ←	16: 10.4 ↖	Serie	100
12: 10.1 ↖	17: 10.6x ↑		
13: 10.0 ↑	18: 10.2 ↖	Total	198
14: 10.6x ↑	19: 10.5x ↖		
15: 10.4 ↑	20: 10.1 ↑		



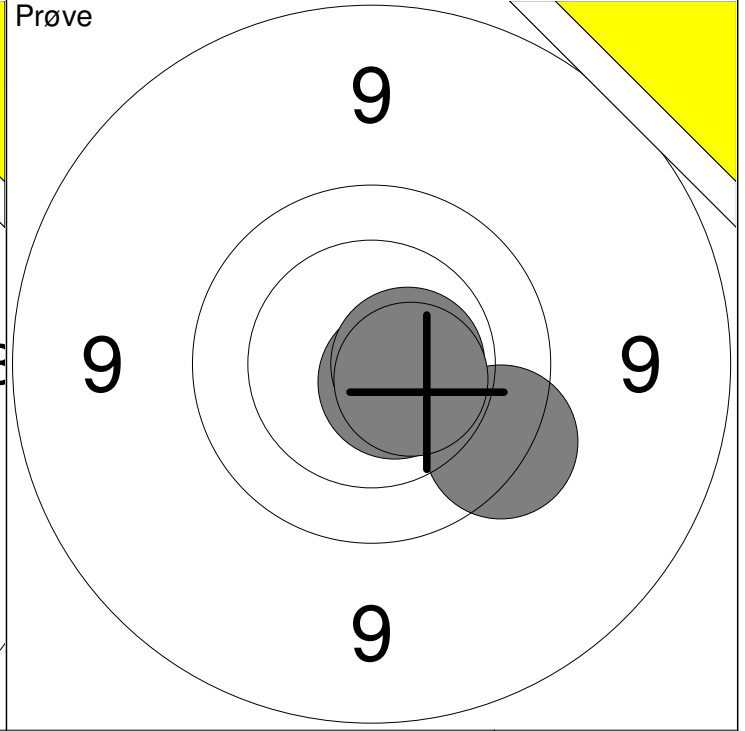
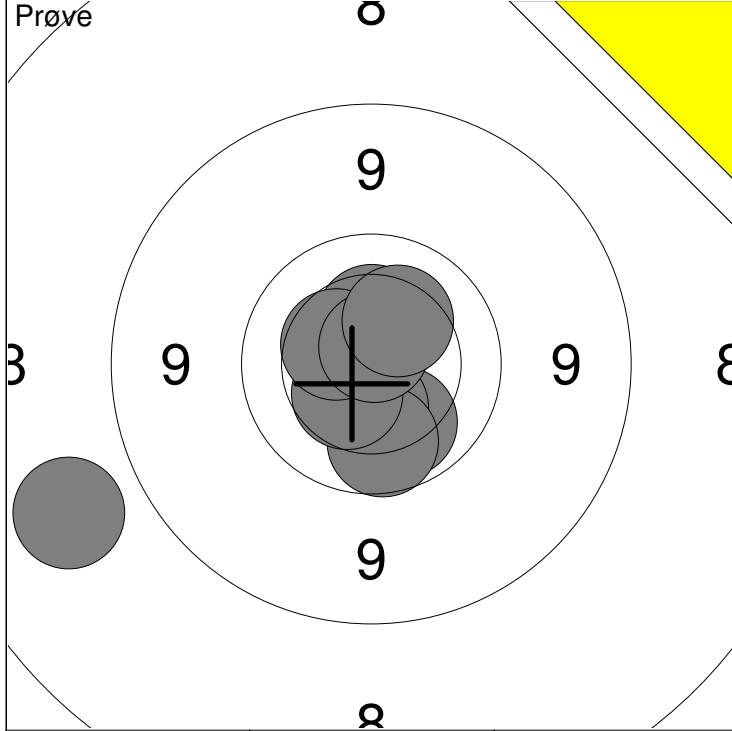
1:	9.5	↗
2:	10.0	↗
3:	9.7	↗
4:	10.0	↗
5:	10.4	↗
6:	10.5	←
7:	10.1	↗
8:	10.8x	↙
9:	10.7x	←
10:	10.8x	↗
Serie		98
Total		0



1:	10.2	↗
2:	10.5x	↗
3:	10.1	←
4:	10.3	↓
5:	9.6	↗
6:	10.7x	→
7:	10.7x	↙
8:	10.4	↓
9:	10.4	↓
10:	9.9	↓
Serie		98
Total		98

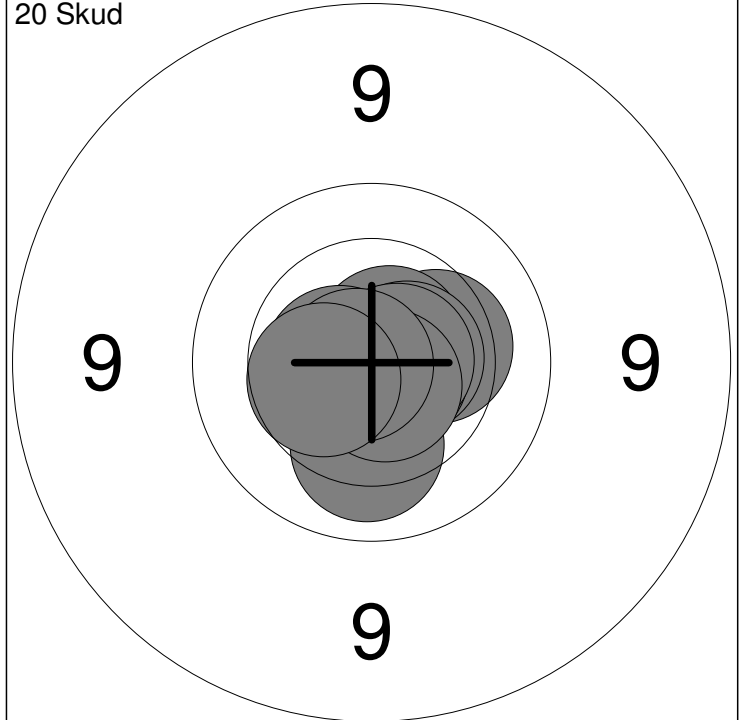
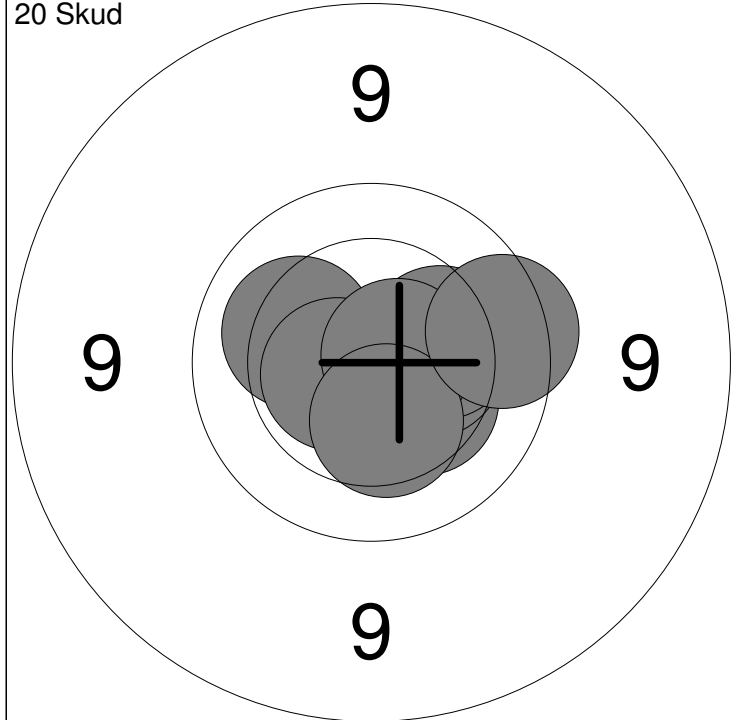


11:	10.4	↑
12:	10.6x	↙
13:	9.8	→
14:	9.8	↖
15:	10.7x	↓
16:	10.7x	→
17:	10.4	↑
18:	10.4	↙
19:	10.6x	→
20:	10.0	↗
Serie		98
Total		196



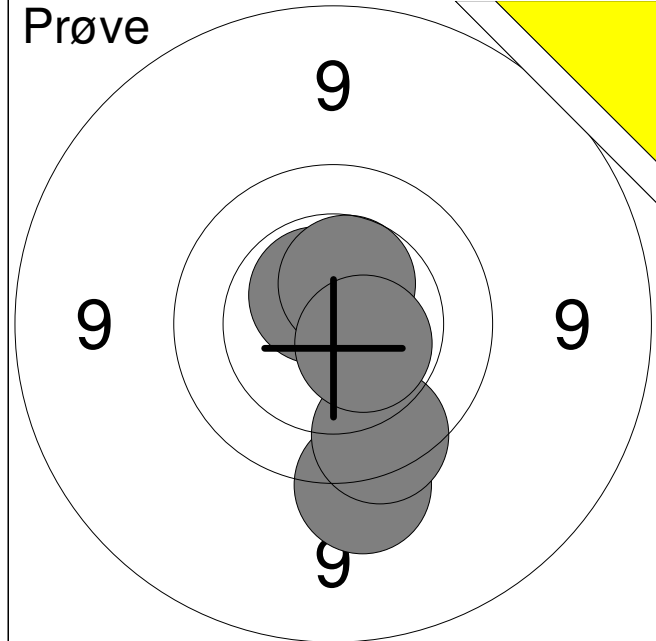
1: 10.1 ↘	6: 8.3 ←	Serie 97
2: 10.4 ↓	7: 10.4 ↑	
3: 9.9 ↓	8: 10.4 ↙	Total 0
4: 10.4 ↙	9: 10.7x ↑	
5: 10.5 ↑	10: 10.3 ↗	

11: 9.7 ↘	Serie 39
12: 10.7x ↘	
13: 10.6x →	Total 0
14: 10.5x ↘	

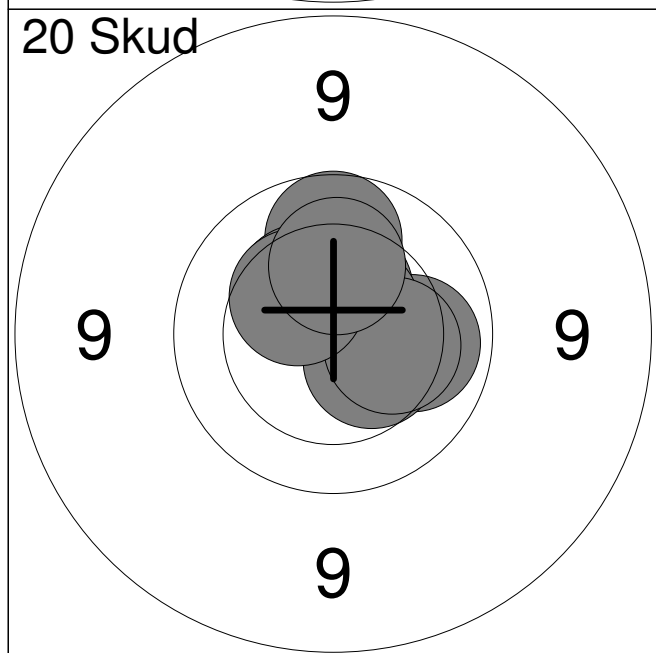


1: 10.7x ↘	6: 10.2 →	Serie 99
2: 10.3 ↓	7: 10.6x ←	
3: 10.2 ↗	8: 10.7x →	Total 99
4: 10.7x ↓	9: 10.4 ↓	
5: 10.4 →	10: 9.8 →	

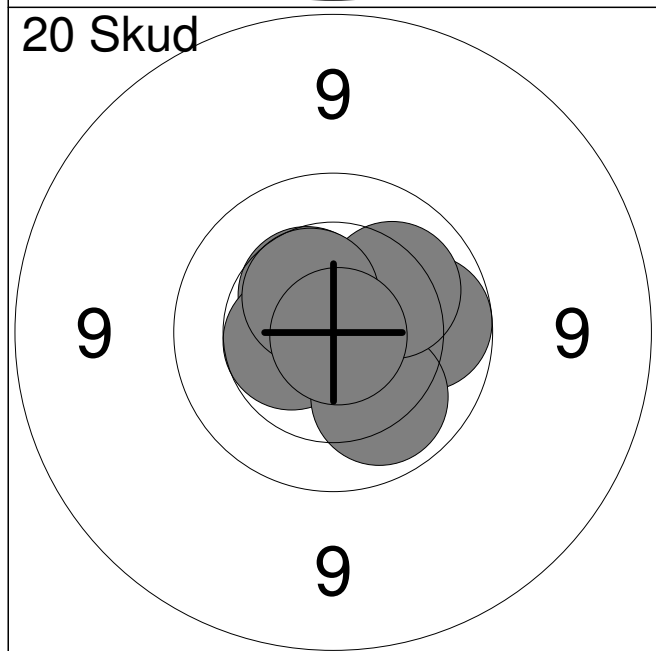
11: 10.1 ↓	16: 10.7x ↘	Serie 100
12: 10.3 →	17: 10.7x →	
13: 10.7x ↗	18: 10.7x ↓	Total 199
14: 10.6x →	19: 10.8x ←	
15: 10.6x ←	20: 10.5 ←	



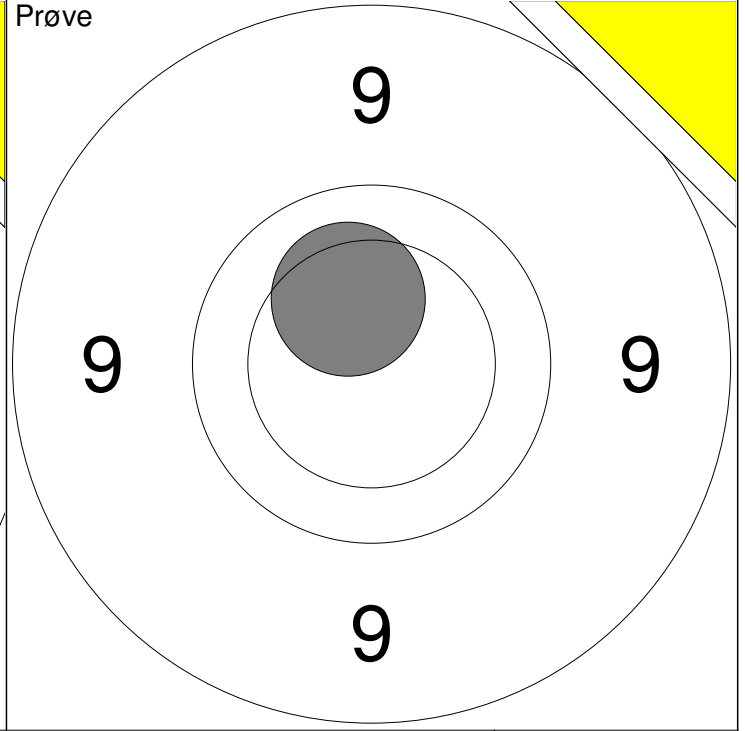
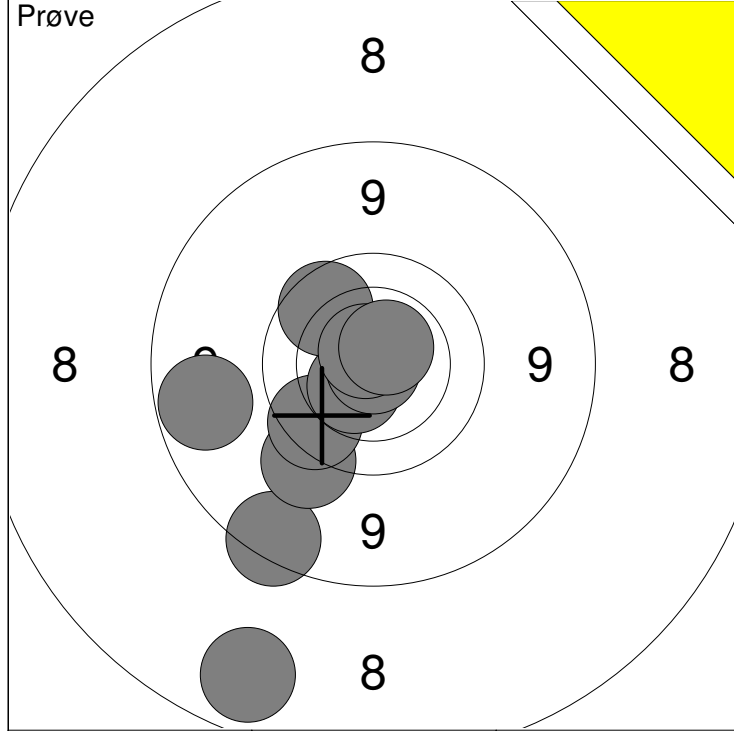
1:	9.5	↓
2:	9.8	↓
3:	10.6x	↗
4:	10.5	↑
5:	10.6x	↓
Serie		48
Total		0



1:	9.9	↑
2:	10.4	→
3:	10.1	→
4:	10.5	↑
5:	10.6x	↗
6:	10.4	↗
7:	10.4	↓
8:	10.3	→
9:	10.4	↗
10:	10.2	↑
Serie		99
Total		99

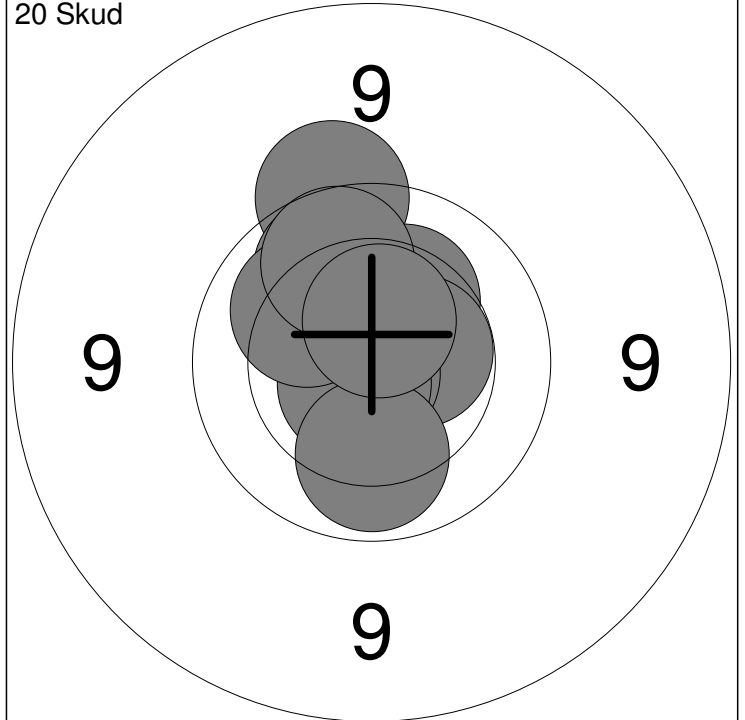
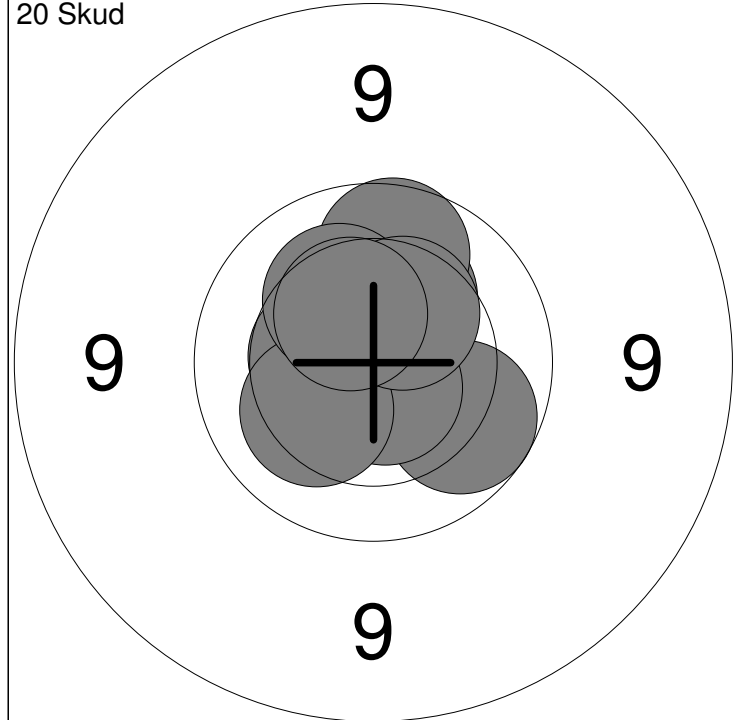


11:	10.6x	↗
12:	10.4	↗
13:	10.7x	←
14:	10.5	←
15:	10.3	↗
16:	9.9	→
17:	10.1	↓
18:	10.1	↗
19:	10.5	↗
20:	10.9x	↓
Serie		99
Total		198



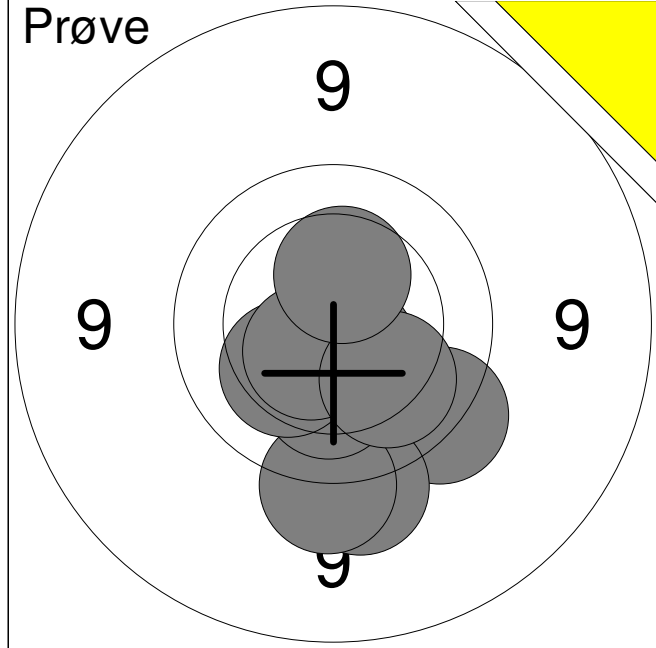
1: 8.0 ↓	6: 10.5x ↙	Serie	92
2: 8.8 ↓	7: 10.9x ↓		
3: 9.0 ←	8: 9.9 ↗	Total	0
4: 9.5 ↓	9: 10.7x ↗		
5: 9.8 ↙	10: 10.6x ↗		

11: 10.3 ↗	Serie	10
	Total	0

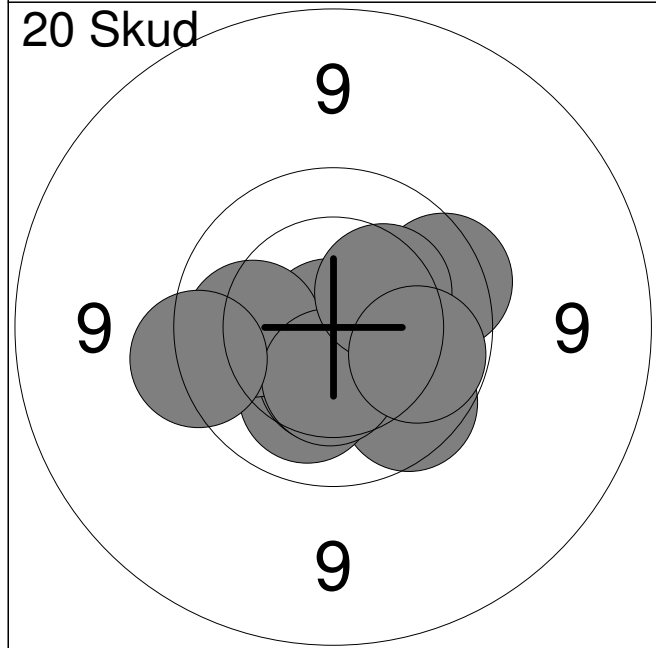


1: 10.3 ↗	6: 10.7x ↓	Serie	98
2: 10.7x →	7: 10.2 ↙		
3: 10.5 ←	8: 10.3 ↗	Total	98
4: 9.9 ↗	9: 10.4 ↗		
5: 9.9 ↘	10: 10.4 ↗		

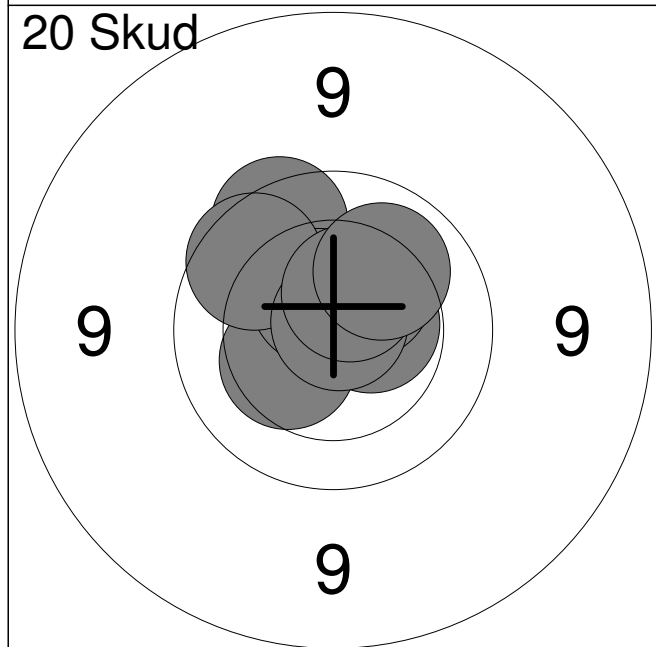
11: 10.3 ↗	16: 10.7x ↓	Serie	98
12: 10.5x →	17: 10.1 ↙		
13: 9.6 ↗	18: 10.0 ↓	Total	196
14: 10.0 ↗	19: 9.9 ↗		
15: 10.8x ↓	20: 10.5x ↗		



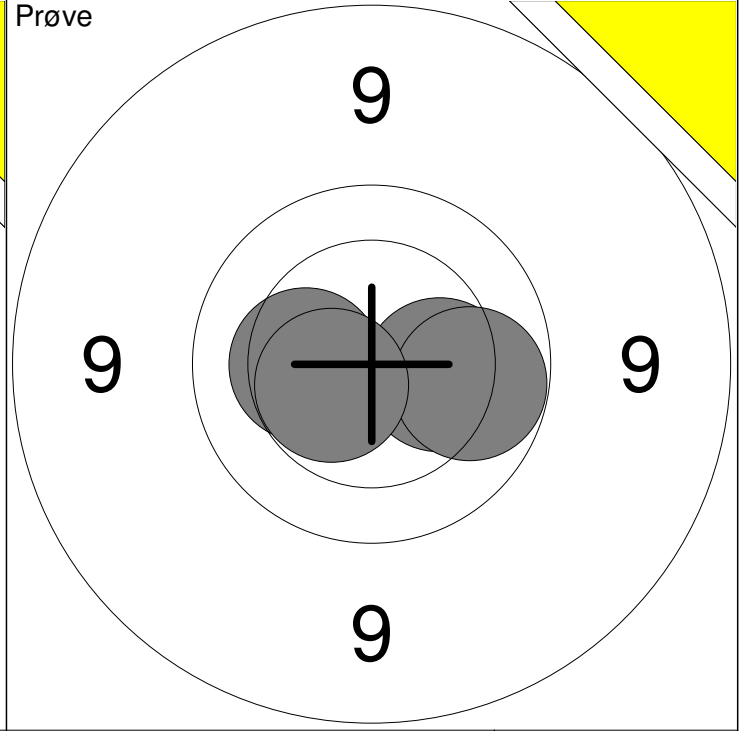
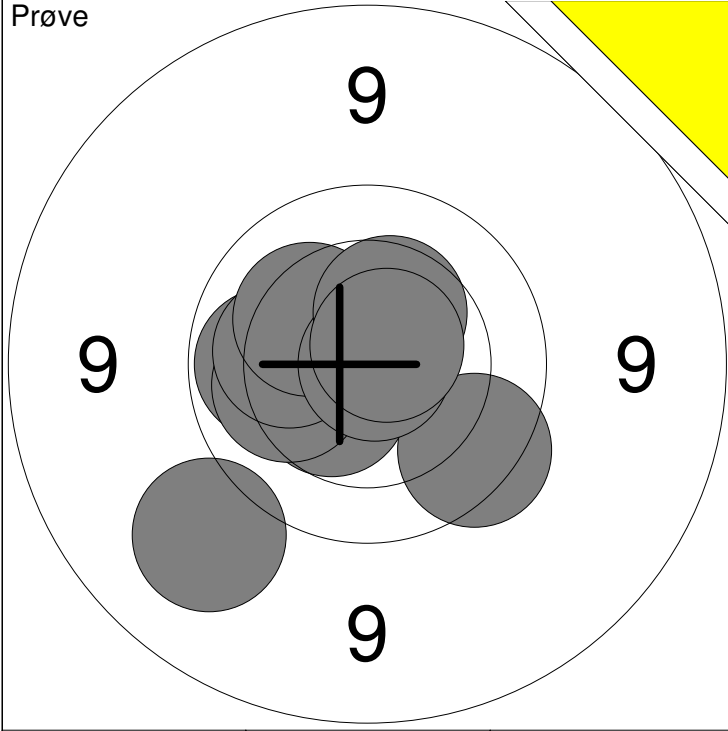
1:	9.6	↘
2:	9.5	↓
3:	9.5	↓
4:	10.2	↓
5:	10.3	↙
6:	10.6x	↘
7:	10.7x	↓
8:	10.6x	↙
9:	10.1	↘
10:	10.4	↑
Serie		97
Total		0



1:	10.9x	←
2:	9.8	↘
3:	10.2	↓
4:	10.4	↓
5:	10.1	←
6:	10.4	↓
7:	9.8	↗
8:	10.3	↗
9:	10.0	→
10:	9.6	←
Serie		97
Total		97

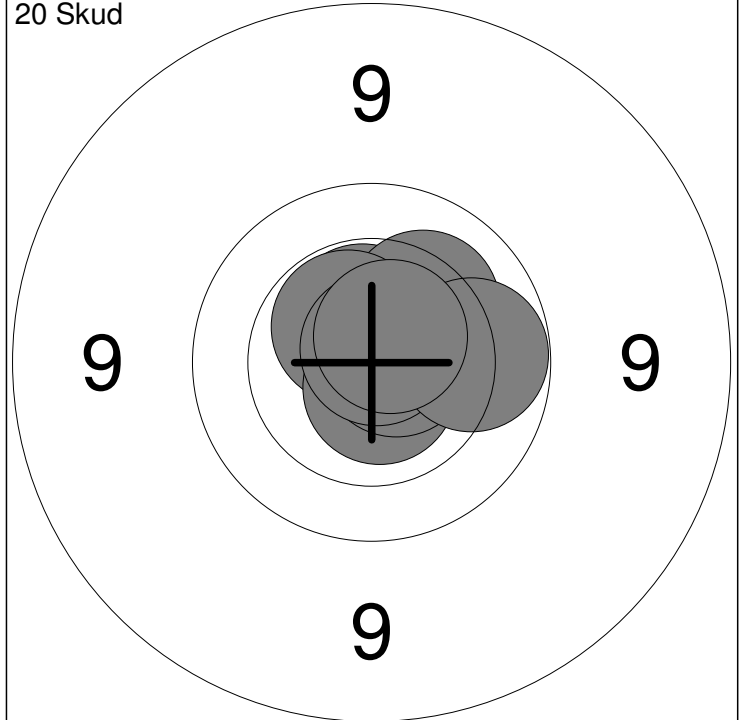
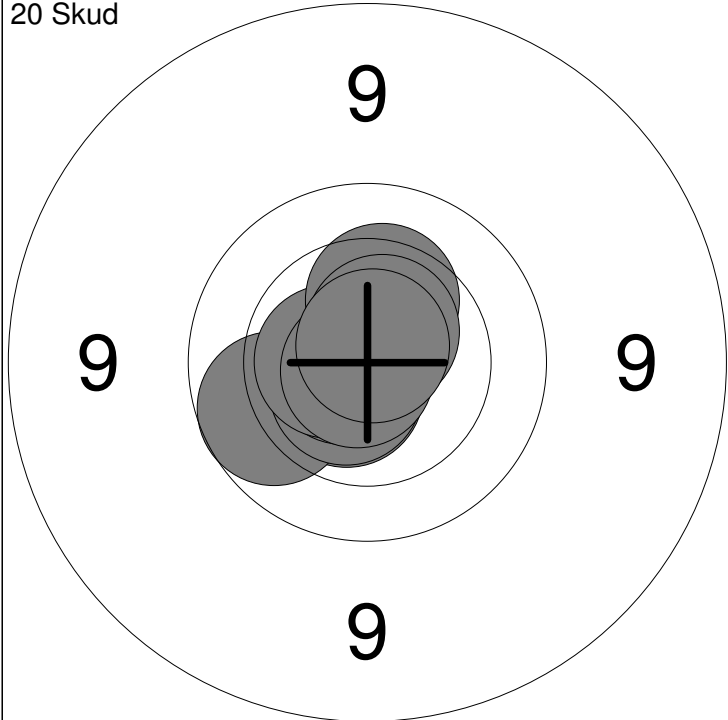


11:	10.6x	↑
12:	9.8	↑
13:	10.3	←
14:	10.5x	→
15:	10.4	↗
16:	10.5x	↑
17:	9.9	↖
18:	10.8x	↗
19:	10.5x	↑
20:	10.1	↗
Serie		98
Total		195



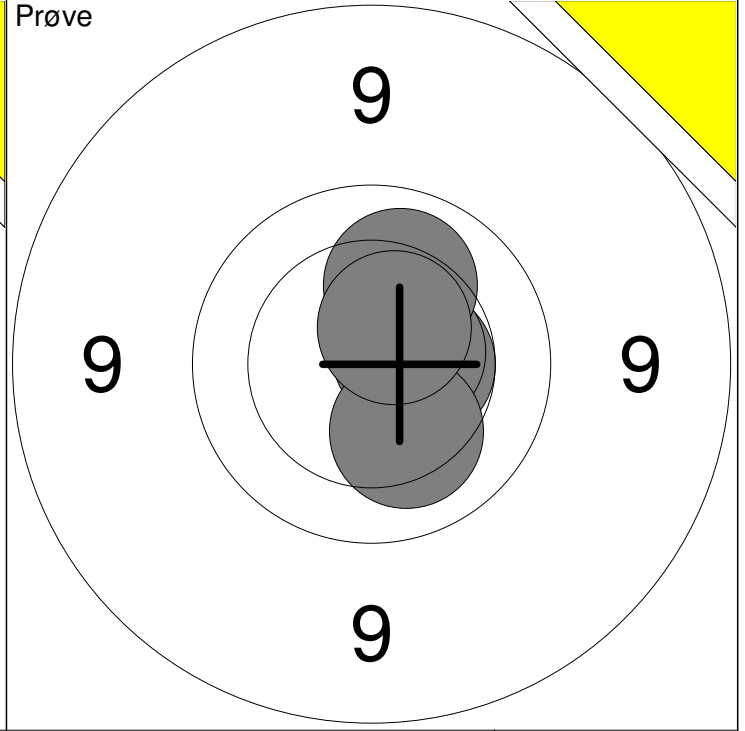
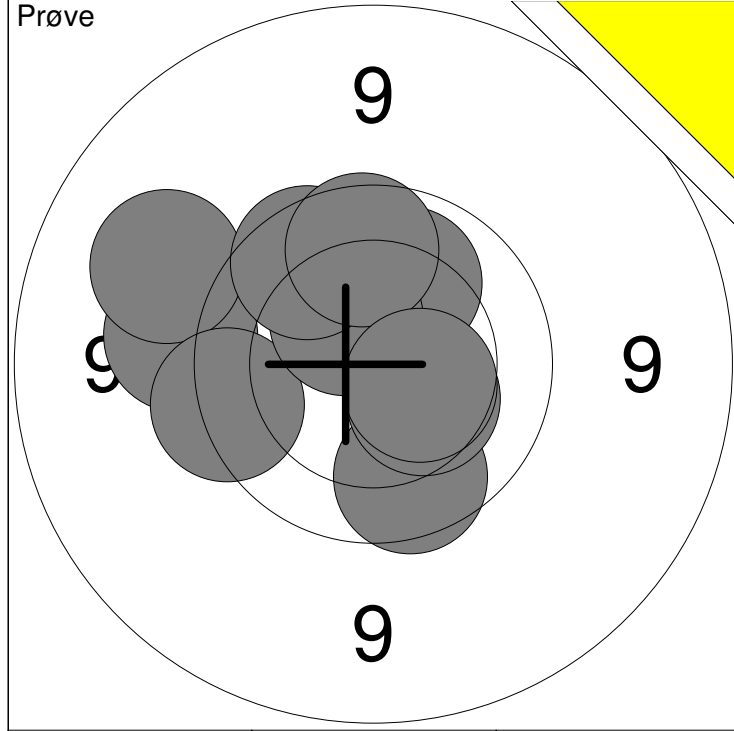
1: 9.2 ↙	6: 10.2 ←	Serie	98
2: 9.7 ↘	7: 10.2 ↖		
3: 10.5 ↙	8: 10.9x →	Total	0
4: 10.0 ←	9: 10.4 ↗		
5: 10.2 ←	10: 10.7x ↗		

11: 10.3 →	Serie	40
12: 10.0 →		
13: 10.3 ←	Total	0
14: 10.5x ←		



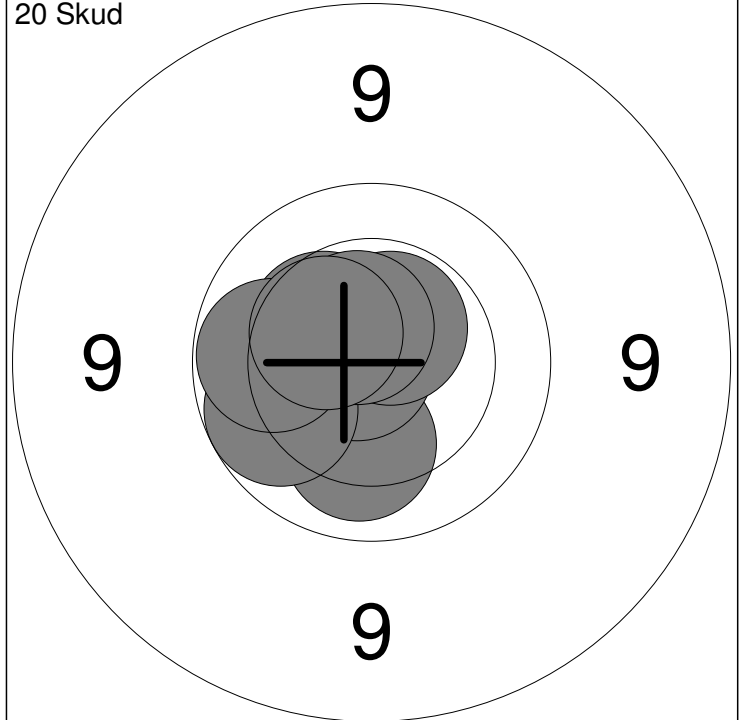
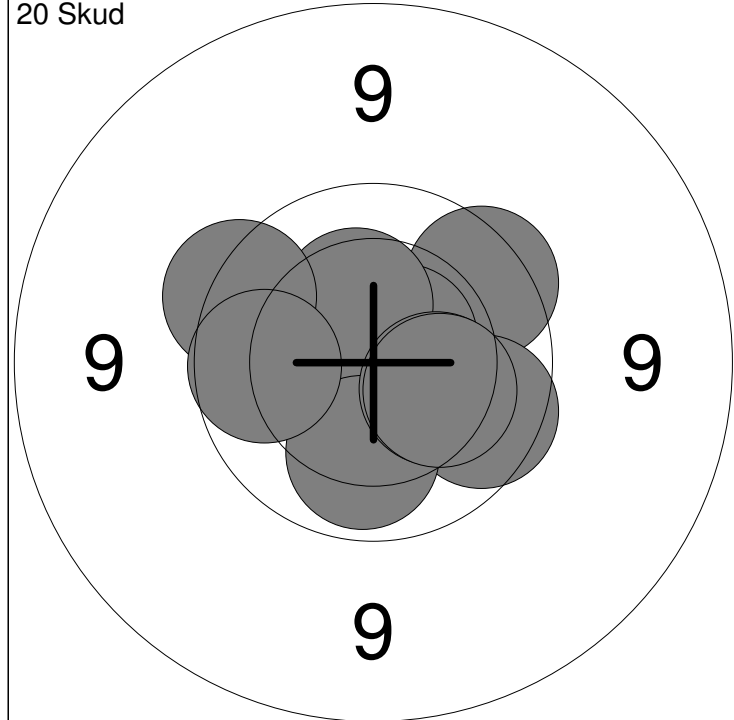
1: 10.6x ↙	6: 10.6x ←	Serie	99
2: 9.9 ←	7: 10.3 ↗		
3: 10.6x ↙	8: 10.8x ↖	Total	99
4: 10.7x ←	9: 10.6x ↗		
5: 10.9x ↖	10: 10.8x ↗		

11: 10.5x ↗	16: 10.7x ↘	Serie	100
12: 10.8x →	17: 10.7x →		
13: 10.7x ↗	18: 10.8x ↗	Total	199
14: 10.2 ↗	19: 10.0 →		
15: 10.5x ↖	20: 10.6x ↗		



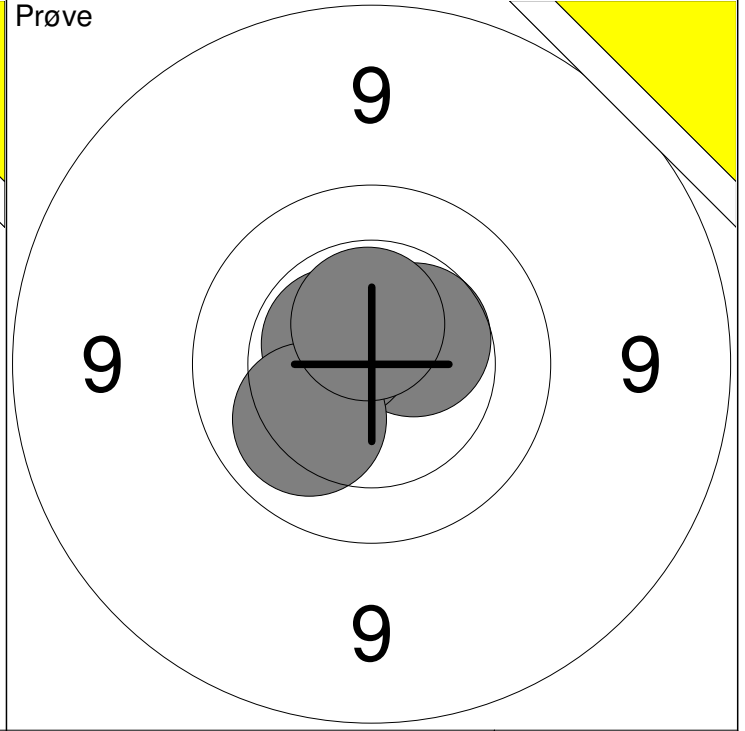
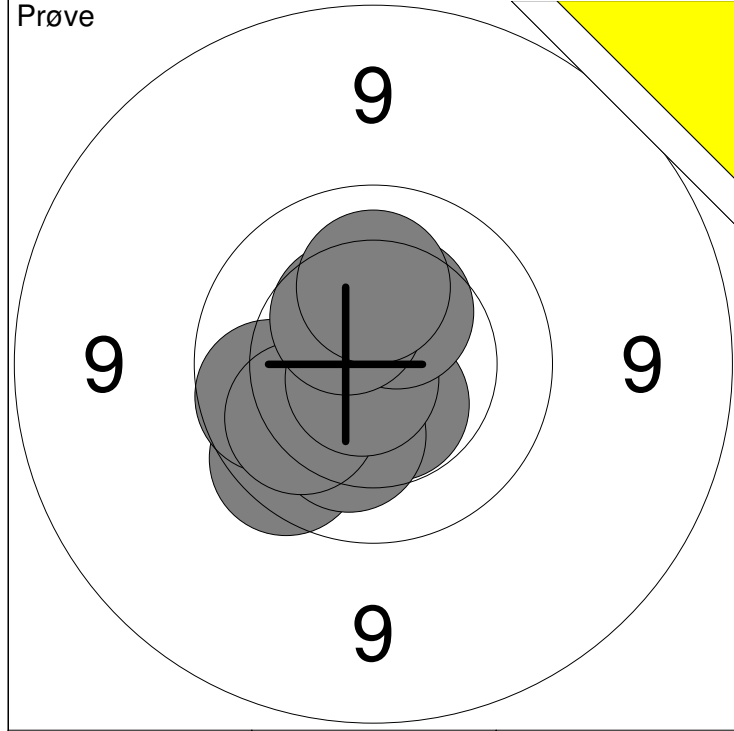
1: 9.9 ↓	6: 10.1 ↗	Serie	94
2: 10.4 ↘	7: 10.4 ↗		
3: 9.4 ←	8: 9.8 ↗	Total	0
4: 9.2 ↗	9: 9.9 ↗		
5: 9.7 ←	10: 10.4 ↘		

11: 10.5x →	Serie	50
12: 10.6x →		
13: 10.1 ↗	Total	0
14: 10.2 ↘		
15: 10.5x ↗		



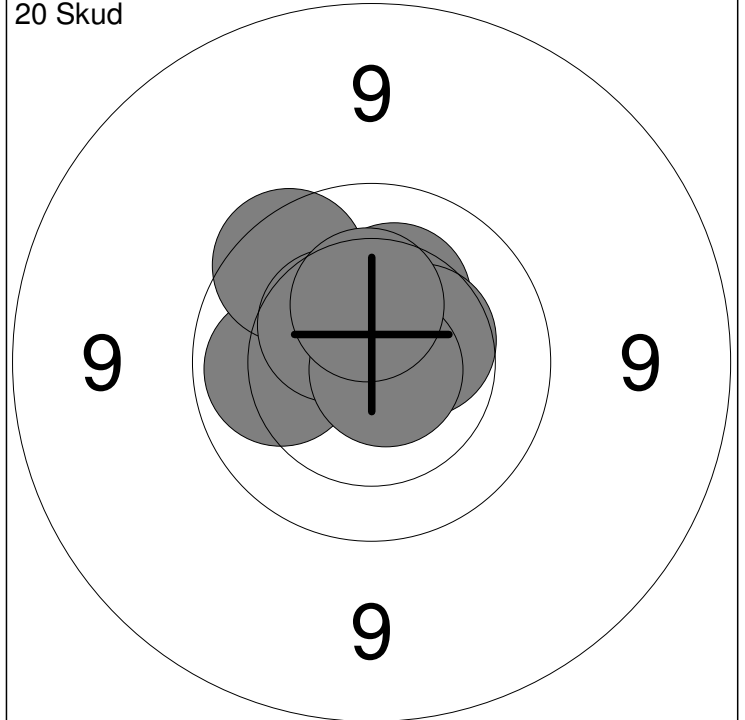
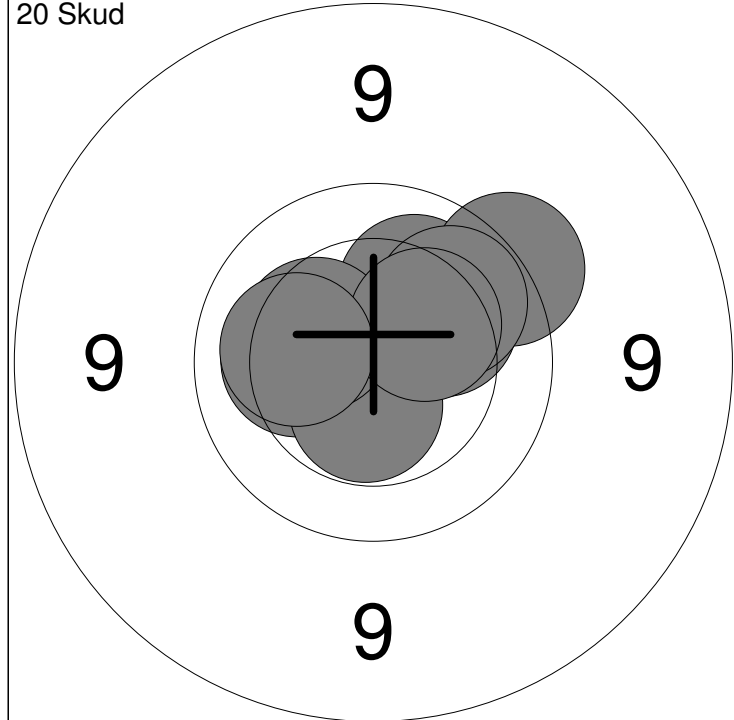
1: 10.2 →	6: 10.1 ↓	Serie	96
2: 9.8 ↗	7: 10.3 →		
3: 9.9 →	8: 10.2 →	Total	96
4: 10.6x ↗	9: 9.7 ←		
5: 10.4 ↗	10: 9.9 ←		

11: 10.3 ←	16: 9.9 ←	Serie	99
12: 10.1 ↓	17: 10.6x ↗		
13: 10.4 ↗	18: 10.0 ←	Total	195
14: 10.3 ←	19: 10.6x ↗		
15: 10.8x ←	20: 10.4 ↗		



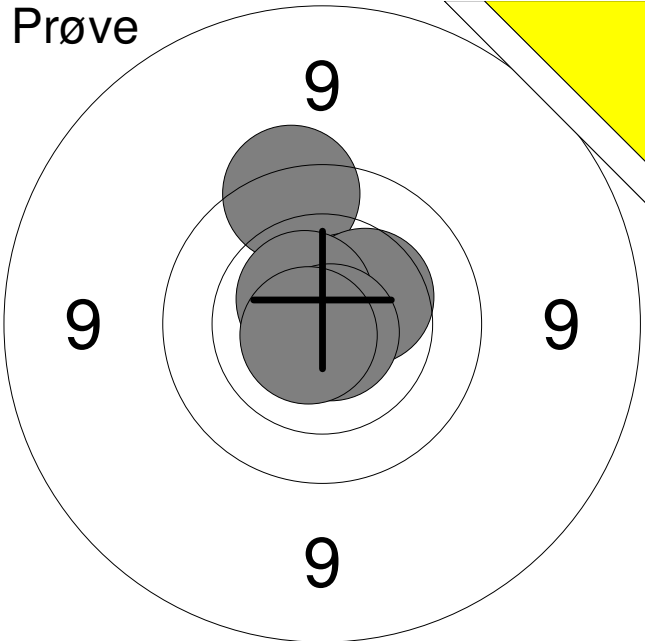
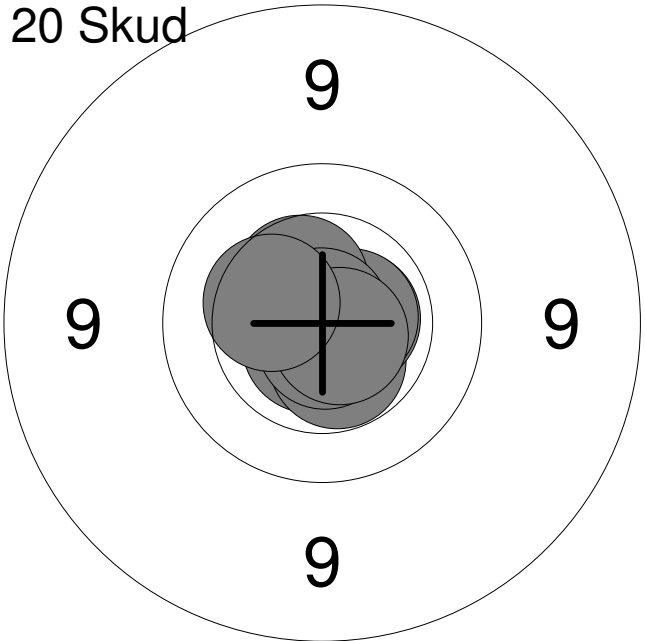
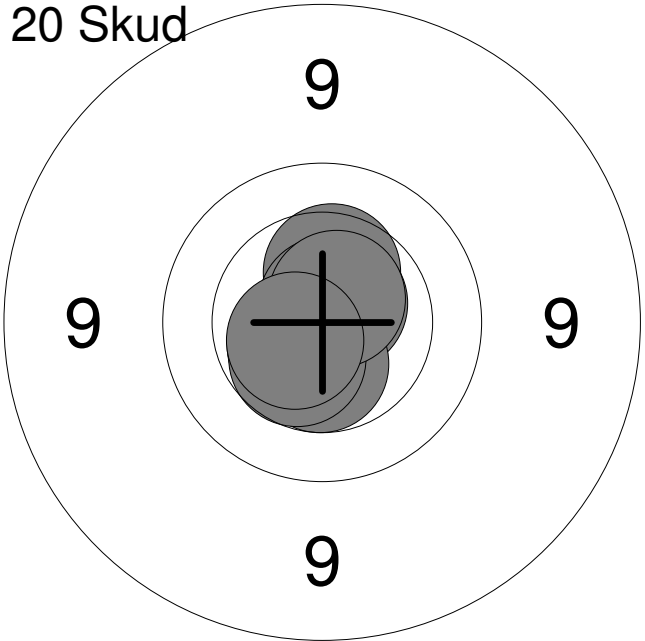
1: 9.8 ↙	6: 10.8x ↙	Serie	98
2: 10.5x ↓	7: 10.3 ↑		
3: 10.2 ↓	8: 10.4 ↗	Total	0
4: 9.9 ←	9: 10.4 ↖		
5: 10.1 ↙	10: 10.2 ↑		

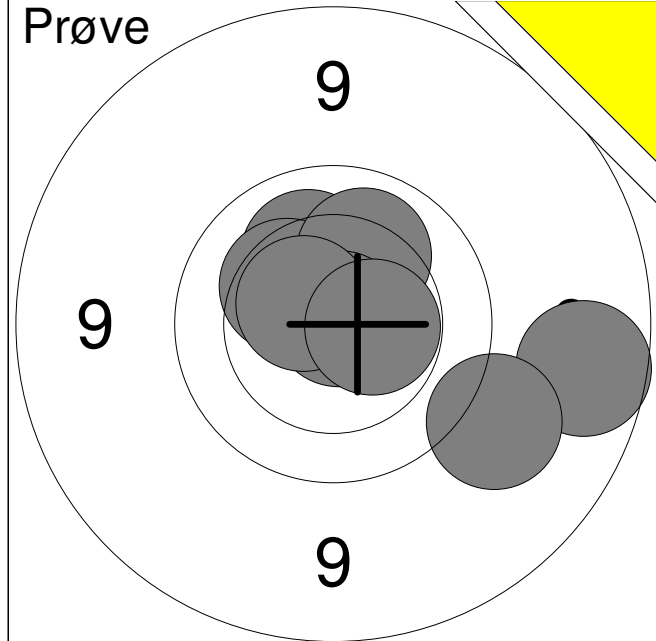
11: 10.5 ↗	Serie	40
12: 10.6x ↖		
13: 10.1 ↙	Total	0
14: 10.6x ↑		



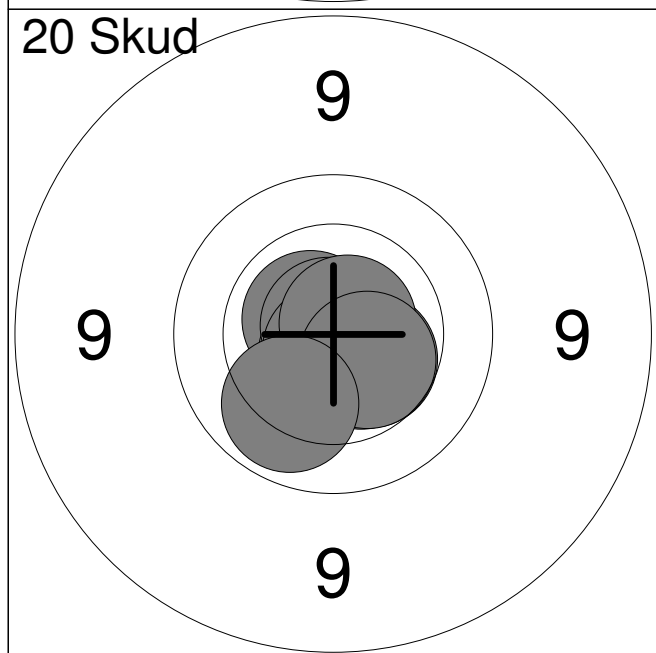
1: 10.7x ↖	6: 10.3 ↖	Serie	99
2: 10.2 ←	7: 9.6 ↗		
3: 10.5x ↓	8: 10.0 ↗	Total	99
4: 10.1 ↗	9: 10.3 ↗		
5: 10.2 ↗	10: 10.2 ←		

11: 10.9x ↗	16: 10.3 ↗	Serie	99
12: 10.4 ↖	17: 10.4 ↖		
13: 10.4 ↖	18: 10.4 ↗	Total	198
14: 10.1 ←	19: 10.8x ↘		
15: 9.8 ↖	20: 10.4 ↑		

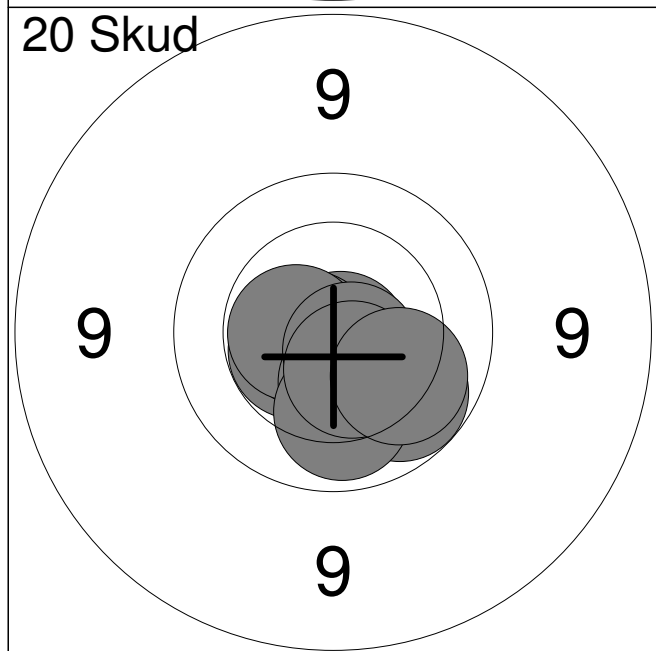
Hold	Skive	Trine Weinreich Klit Andersen		
61	1	Aalborg	Vester Hassing Skytteforening	MBK1
02.02.2018		Nordjysk mesterskab 2018	Aalborg Skyttekreds	
Prøve 	1:	9.7	↑	
	2:	10.6x	↗	
	3:	10.7x	↗	
	4:	10.6x	↗	
	5:	10.4	↗	
	6:	10.6x	↗	
	7:	10.8x	↘	
	8:	10.8x	↙	
	Serie	79		
	Total	0		
20 Skud 	1:	10.7x	↘	
	2:	10.6x	↗	
	3:	10.5x	↘	
	4:	10.6x	→	
	5:	10.6x	→	
	6:	10.5	↗	
	7:	10.9x	↑	
	8:	10.8x	↘	
	9:	10.7x	↘	
	10:	10.4	↖	
	Serie	100		
	Total	100		
20 Skud 	11:	10.4	↑	
	12:	10.5x	↘	
	13:	10.6x	↙	
	14:	10.6x	↘	
	15:	10.8x	↑	
	16:	10.7x	↗	
	17:	10.5	↘	
	18:	10.5	↙	
	19:	10.6x	↗	
	20:	10.6x	↙	
	Serie	100		
	Total	200		



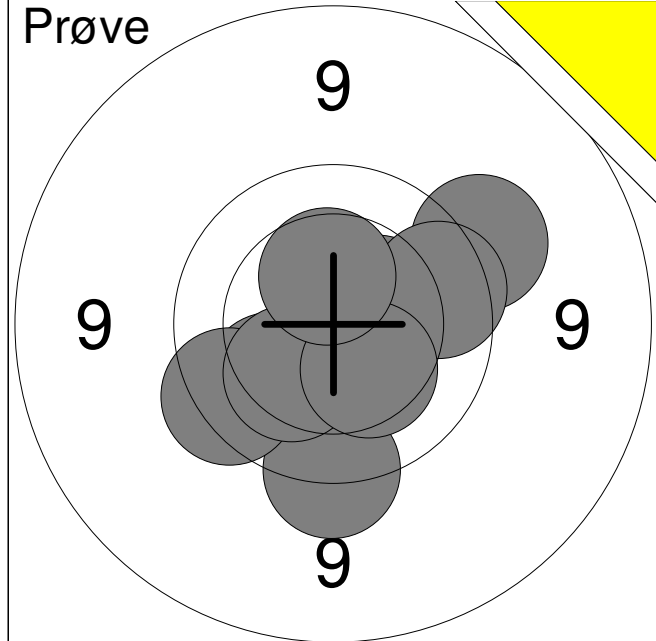
1:	8.9	→
2:	9.3	↘
3:	10.5x	↗
4:	10.2	↗
5:	10.3	↗
6:	10.7x	↗
7:	10.1	↗
8:	10.9x	↗
9:	10.6x	↗
10:	10.5x	→
Serie		97
Total		0



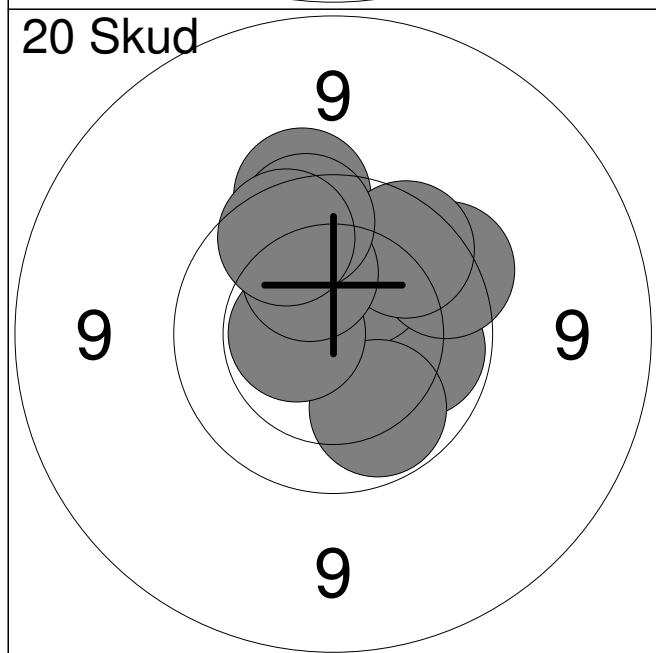
1:	10.6x	↗
2:	10.7x	↓
3:	10.5x	↘
4:	10.7x	↓
5:	10.5	↘
6:	10.8x	↗
7:	10.8x	↓
8:	10.8x	↗
9:	10.5	↘
10:	10.0	↘
Serie		100
Total		100



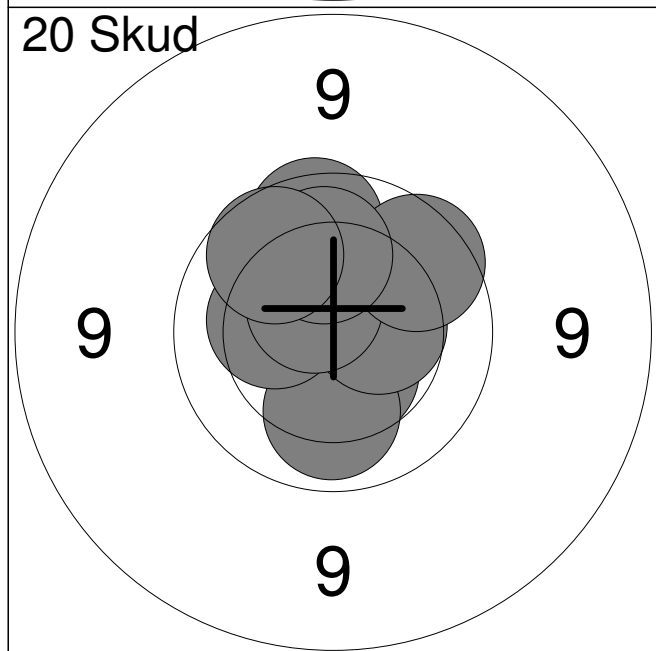
11:	10.5x	↖
12:	10.8x	↘
13:	10.7x	↖
14:	10.5x	↖
15:	10.4	↘
16:	10.0	↘
17:	10.7x	↘
18:	10.1	↓
19:	10.5	↘
20:	10.1	↘
Serie		100
Total		200



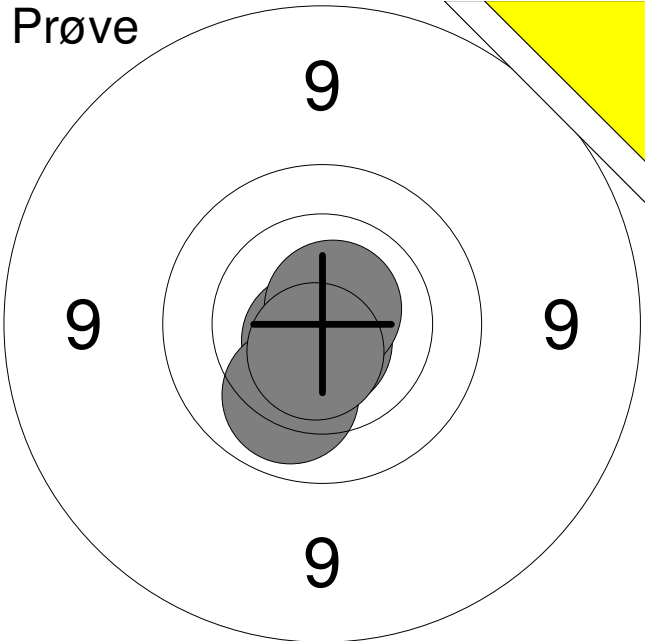
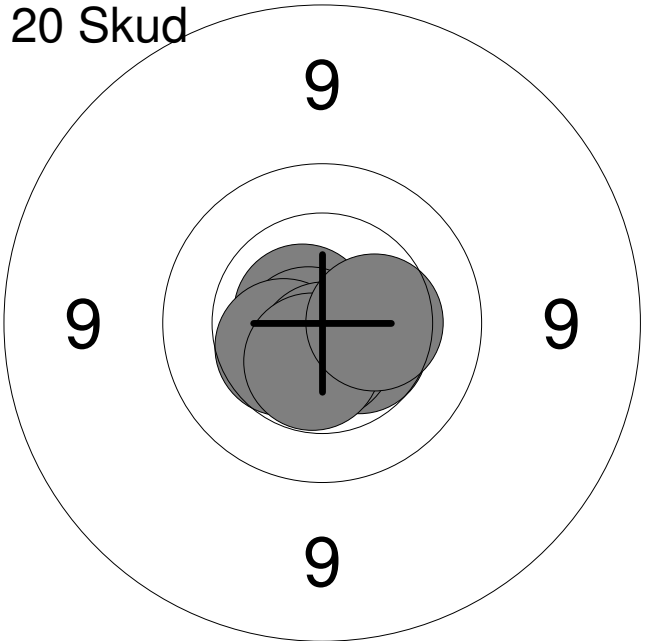
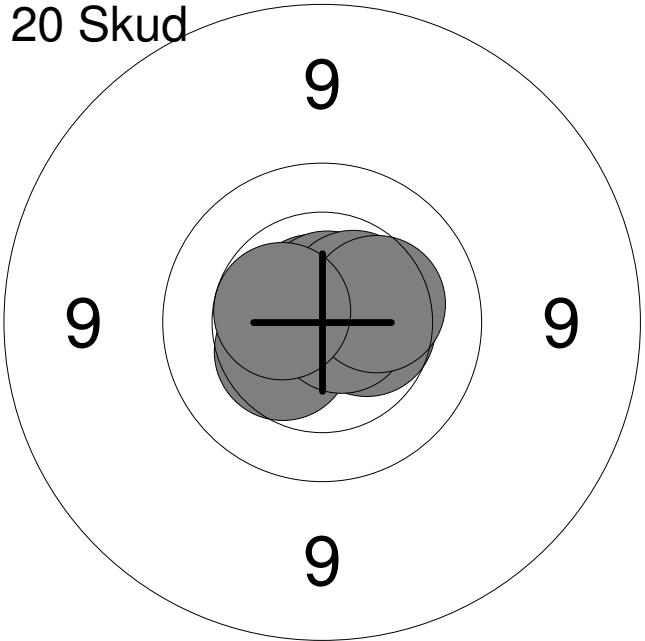
1:	9.5	↗
2:	10.4	↗
3:	10.5x	↓
4:	10.0	↙
5:	9.6	↓
6:	9.7	↙
7:	10.2	↙
8:	9.8	→
9:	10.3	↘
10:	10.4	↑
Serie		96
Total		0

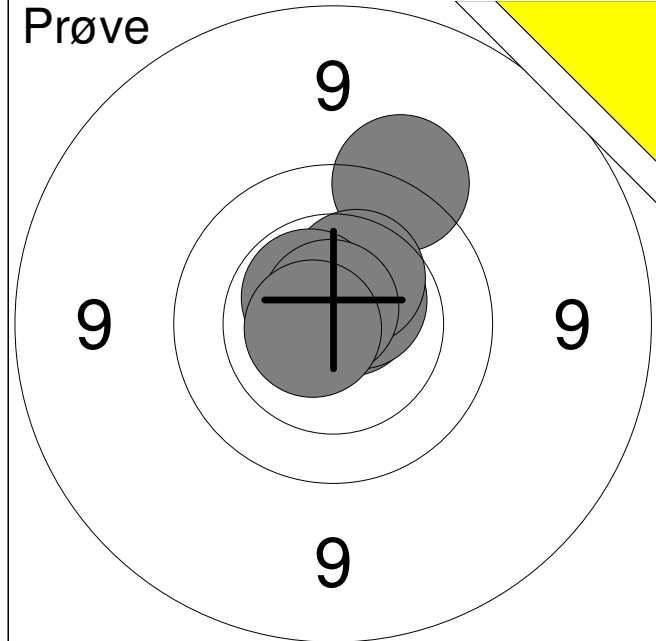


1:	10.0	→
2:	10.3	↗
3:	9.7	↗
4:	10.0	↓
5:	9.6	↑
6:	9.8	↗
7:	10.5x	←
8:	10.2	↑
9:	9.8	↑
10:	9.8	↑
Serie		95
Total		95

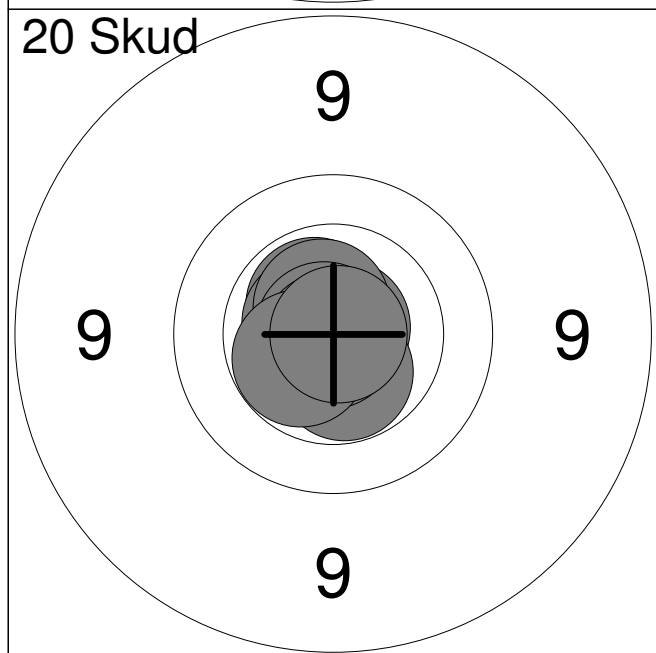


11:	10.5	↓
12:	9.8	↑
13:	10.3	↗
14:	10.1	↓
15:	10.4	→
16:	10.3	←
17:	10.6x	↗
18:	9.8	↗
19:	10.1	↑
20:	9.9	↗
Serie		97
Total		192

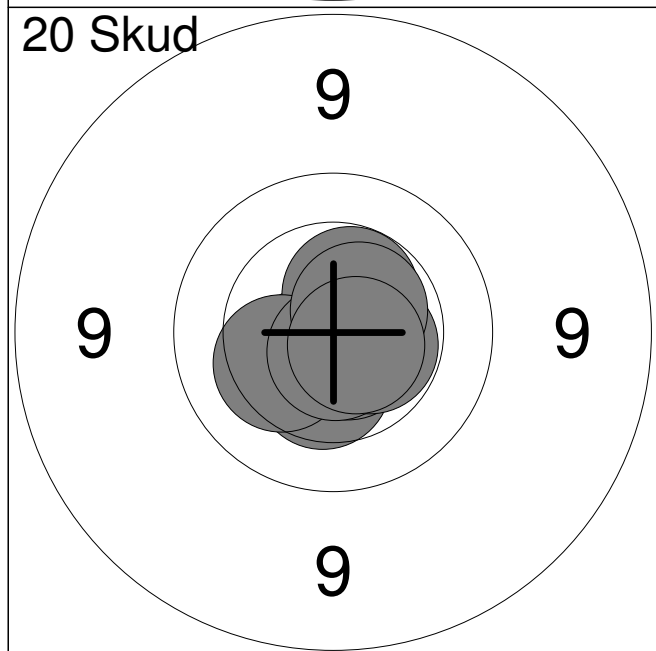
Hold 61	Skive 4	Emil Hedemann		
Aalborg		Vester Hassing Skytteforening		MBK1
02.02.2018		Nordjysk mesterskab 2018		Aalborg Skyttekreds
Prøve 		1: 10.7x ↙ 2: 10.1 ↘ 3: 10.7x ↓ 4: 10.7x ↗ 5: 10.6x ↓		
		Serie		50
		Total		0
20 Skud 		1: 10.6x ↘ 2: 10.7x ↗ 3: 10.6x ↙ 4: 10.6x ↓ 5: 10.8x ↙ 6: 10.5 ↘ 7: 10.4 ← 8: 10.7x ↓ 9: 10.5x ↓ 10: 10.4 →		
		Serie		100
		Total		100
20 Skud 		11: 10.7x ↗ 12: 10.5x ← 13: 10.4 ↙ 14: 10.7x ↗ 15: 10.7x ↑ 16: 10.5 → 17: 10.5x ↗ 18: 10.7x → 19: 10.3 → 20: 10.5x ←		
		Serie		100
		Total		200



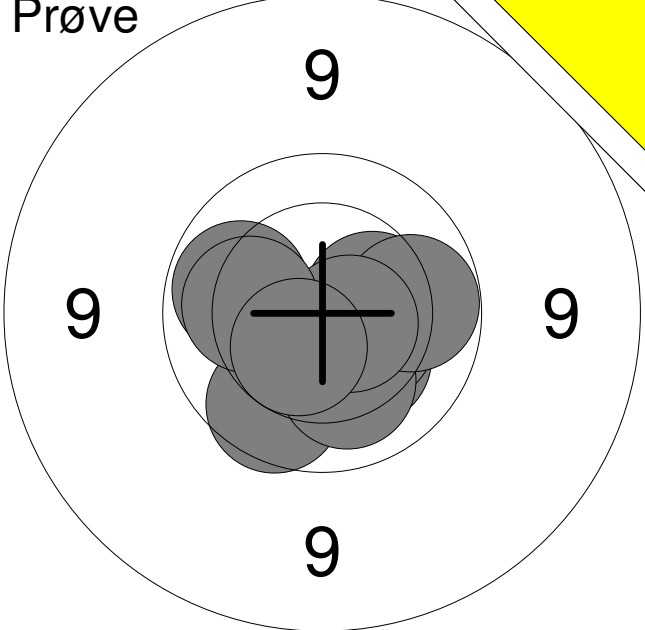
1:	9.5	↗
2:	10.7x	↗
3:	10.5x	↗
4:	10.6x	↗
5:	10.4	↗
6:	10.6x	↗
7:	10.8x	↑
8:	10.7x	←
Serie		79
Total		0

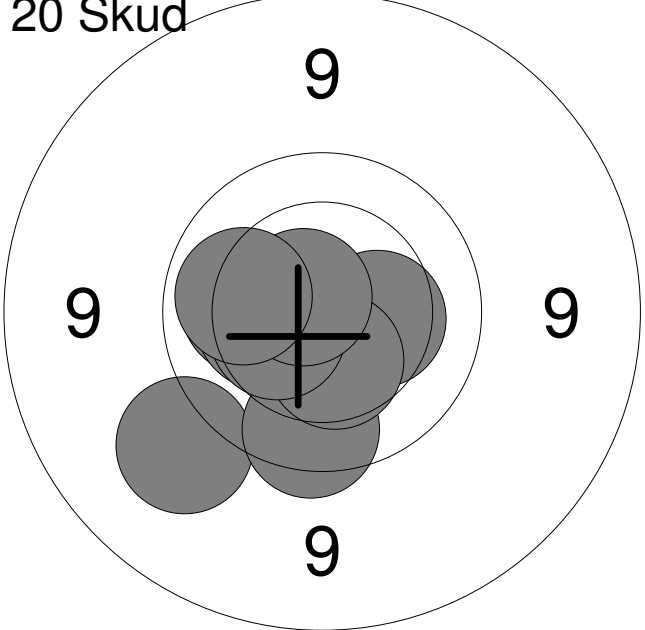


1:	10.6x	↗
2:	10.7x	↖
3:	10.8x	↗
4:	10.6x	↑
5:	10.7x	↘
6:	10.5x	↘
7:	10.8x	↖
8:	10.9x	↘
9:	10.5x	↖
10:	10.9x	→
Serie		100
Total		100

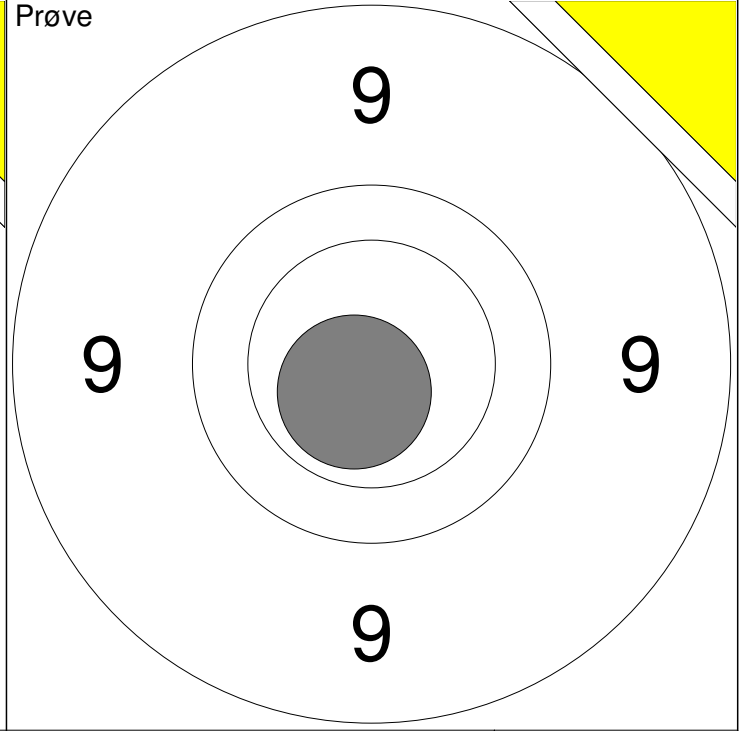
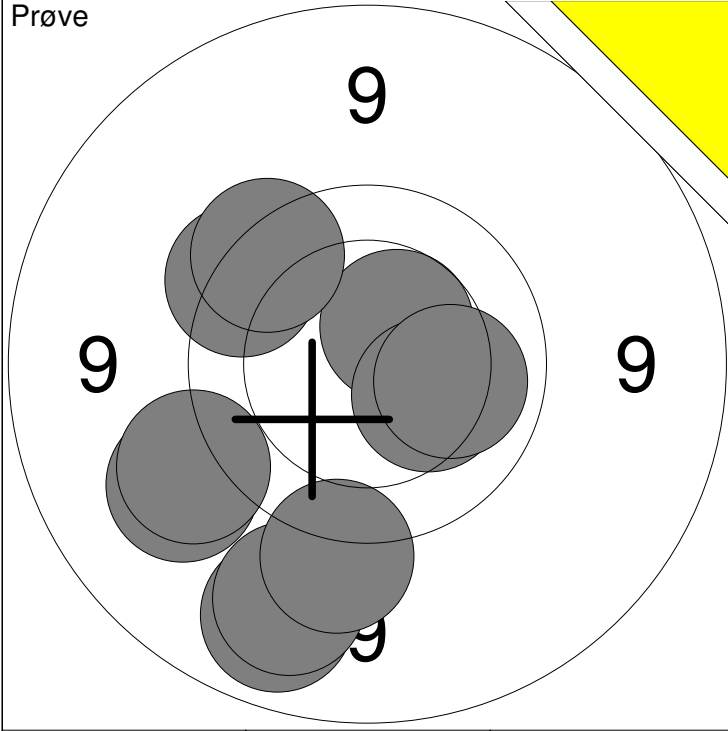


11:	10.6x	↘
12:	10.6x	→
13:	10.4	↘
14:	10.5x	↗
15:	10.7x	↘
16:	10.3	↖
17:	10.5x	→
18:	10.7x	↘
19:	10.6x	↗
20:	10.7x	↘
Serie		100
Total		200

Prøve 	1:	10.4	→
	2:	10.3	↘
	3:	10.4	↘
	4:	9.9	↘
	5:	10.2	↘
	6:	10.0	←
	7:	10.0	→
	8:	10.6x	↘
	9:	10.2	←
	10:	10.5	↘
	Serie		99
Total		0	

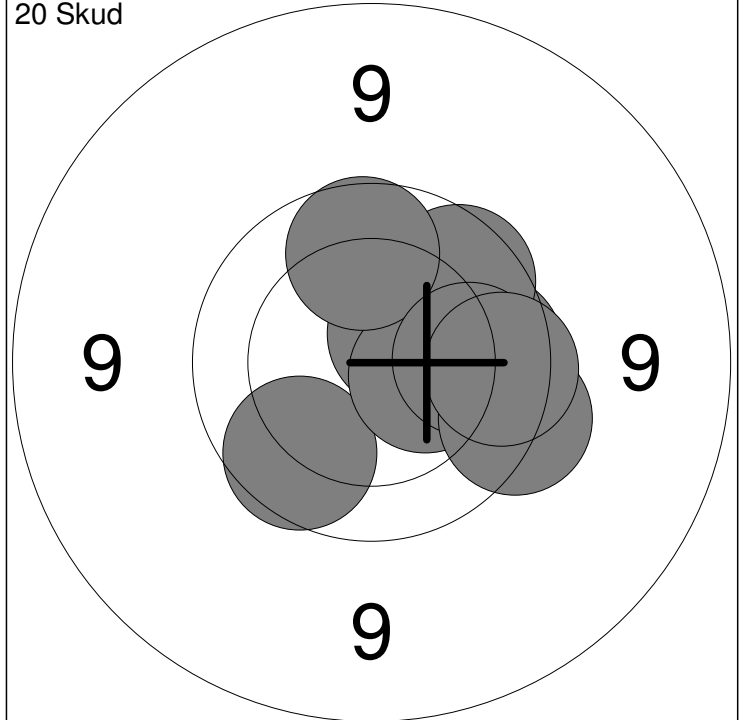
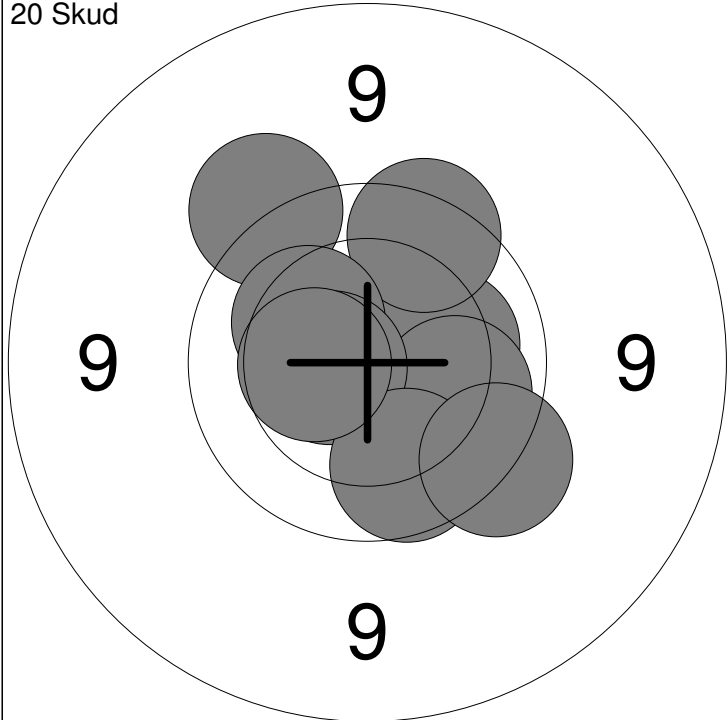
20 Skud 	1:	10.6x	↙
	2:	10.2	←
	3:	10.3	→
	4:	9.3	↘
	5:	9.8	↓
	6:	10.4	↓
	7:	10.3	←
	8:	10.4	↙
	9:	10.7x	↗
	10:	10.1	←
	Serie		98
Total		98	

20 Skud 	11:	10.1	←
	12:	10.1	↑
	13:	10.3	↑
	14:	9.9	↗
	15:	9.8	↙
	16:	10.1	↓
	17:	10.2	↘
	18:	10.4	↗
	19:	9.8	↑
	20:	10.6x	↑
	Serie		97
Total		195	



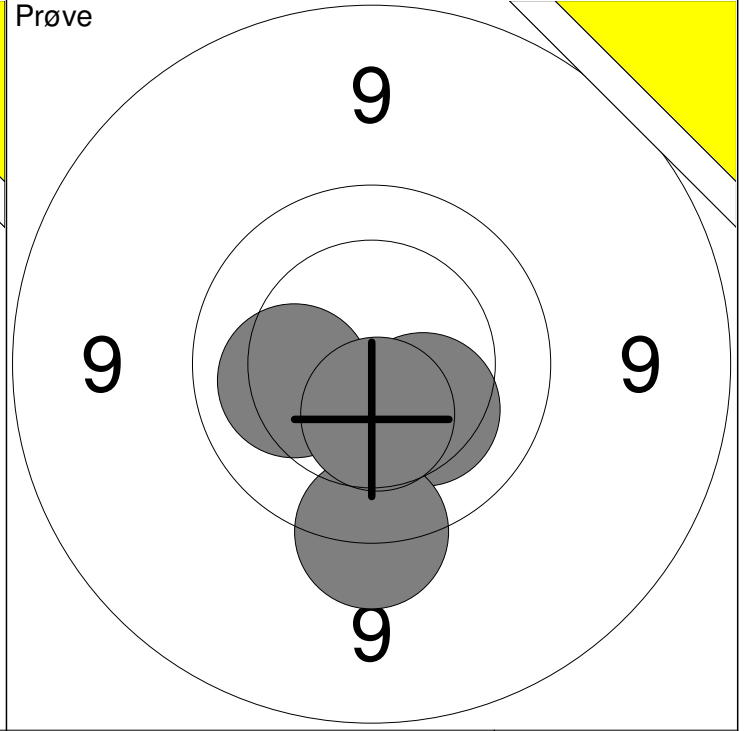
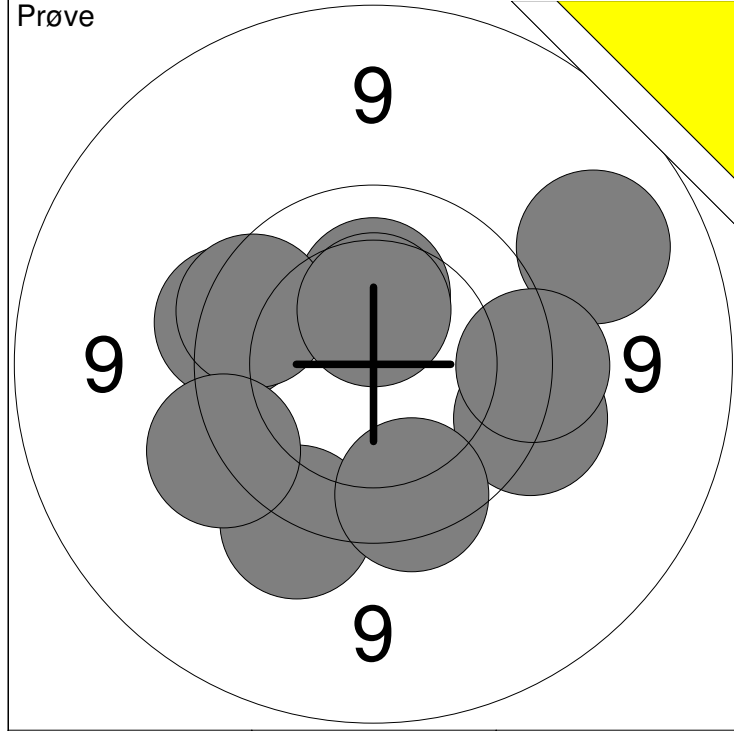
1: 9.0 ↓	6: 10.5 ↗	Serie	93
2: 9.1 ↓	7: 10.3 →		
3: 9.3 ↙	8: 9.7 ↗	Total	0
4: 9.4 ↓	9: 10.1 →		
5: 9.4 ↙	10: 9.7 ↗		

11: 10.6x ↓	Serie	10
Total		0



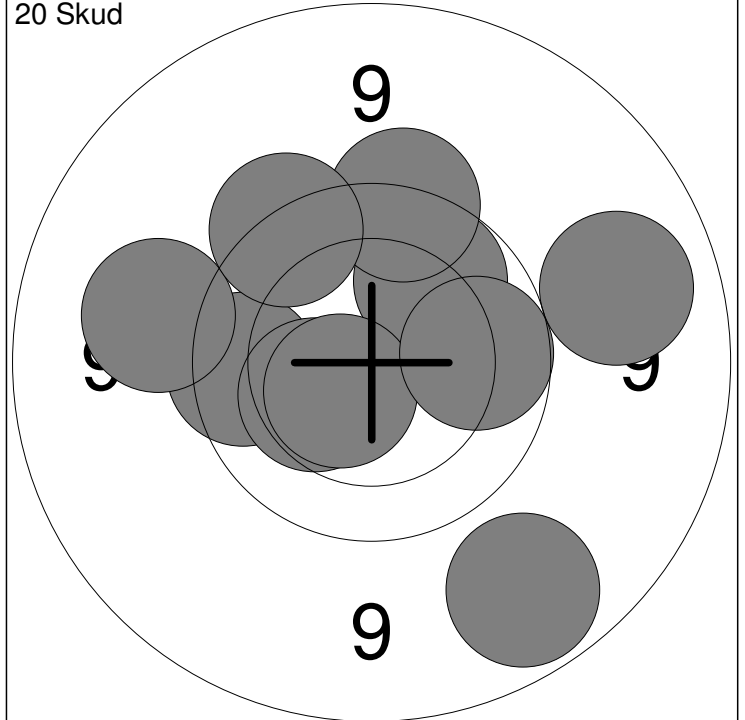
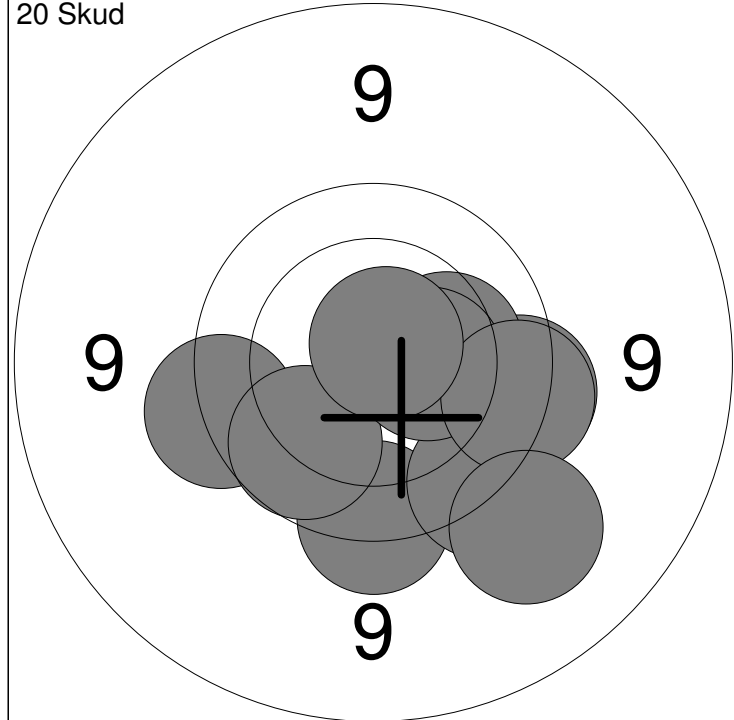
1: 10.8x →	6: 10.0 →	Serie	96
2: 10.2 →	7: 10.6x ←		
3: 9.7 ↗	8: 9.9 ↓	Total	96
4: 9.5 ↗	9: 9.6 ↓		
5: 10.2 ↙	10: 10.4 ←		

11: 10.2 ↗	16: 10.4 →	Serie	94
12: 9.9 ↓	17: 9.9 ↑		
13: 9.9 →	18: 10.0 →	Total	190
14: 10.5x ↗	19: 9.7 →		
15: 9.9 ↗	20: 9.8 →		



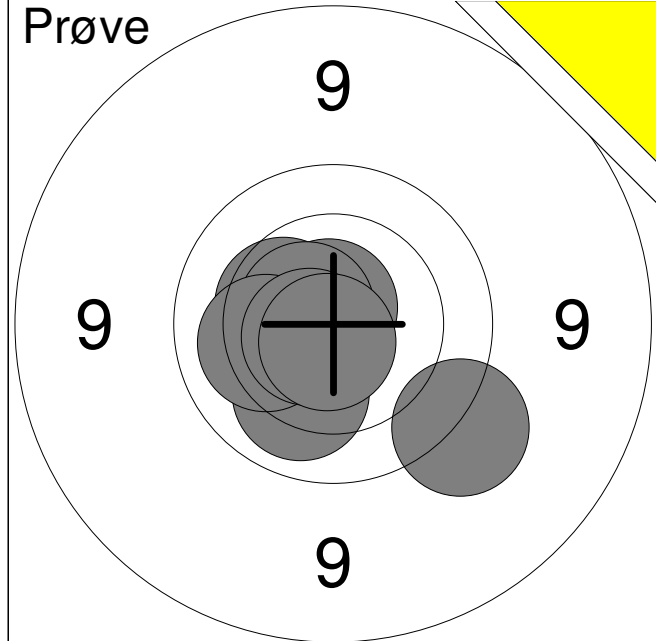
1: 9.6 →	6: 9.8 ←	Serie	92
2: 9.1 ↗	7: 9.6 →		
3: 9.5 ↓	8: 10.4 ↑	Total	0
4: 9.7 ←	9: 9.8 ↓		
5: 10.3 ↑	10: 9.6 ↙		

11: 10.3 ↘	Serie	39
12: 9.6 ↓		
13: 10.2 ←	Total	0
14: 10.5 ↓		

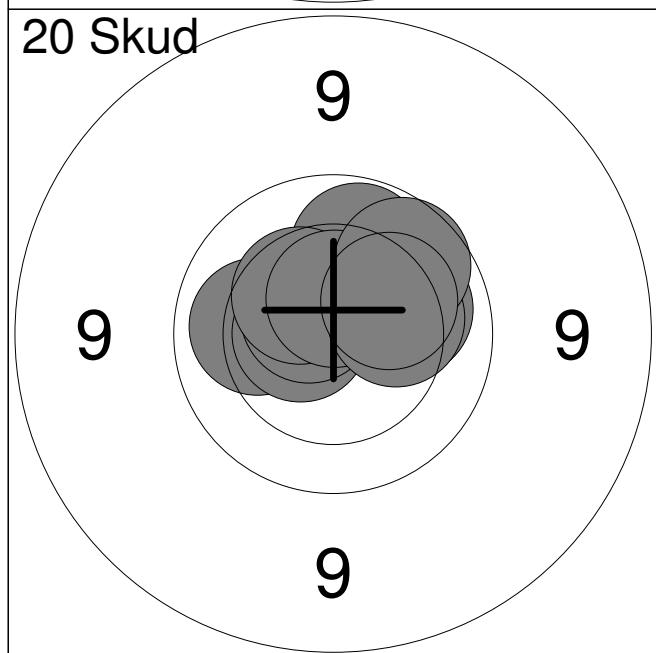


1: 9.7 →	6: 9.6 ↓	Serie	93
2: 9.7 ↓	7: 10.4 →		
3: 9.6 ←	8: 9.7 →	Total	93
4: 9.9 ↙	9: 10.7x ↗		
5: 10.2 →	10: 9.3 ↓		

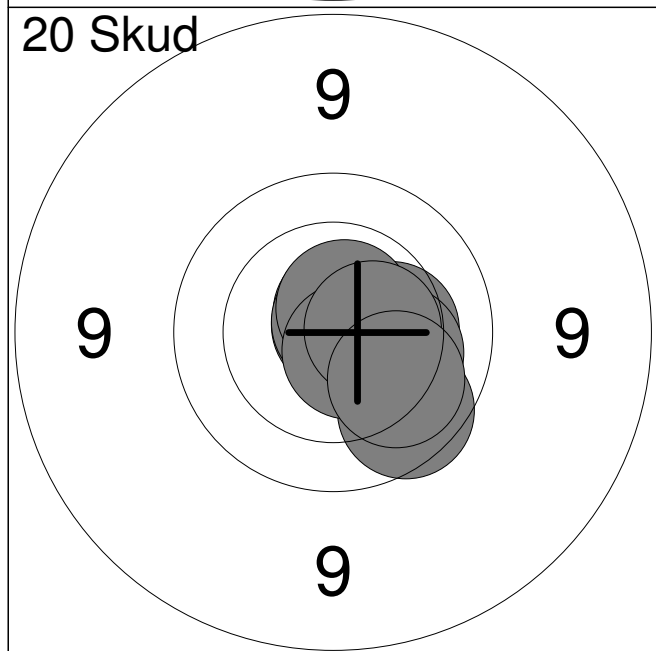
11: 9.8 ←	16: 10.5x ↙	Serie	93
12: 9.0 ↓	17: 9.6 ↑		
13: 10.0 ↗	18: 9.9 →	Total	186
14: 9.1 →	19: 9.3 ←		
15: 10.3 ↙	20: 9.6 ↗		



1:	9.5	↘
2:	10.1	↓
3:	10.8x	←
4:	10.8x	↑
5:	10.4	←
6:	10.6x	↖
7:	10.2	←
8:	10.7x	←
9:	10.7x	↓
Serie		89
Total		0

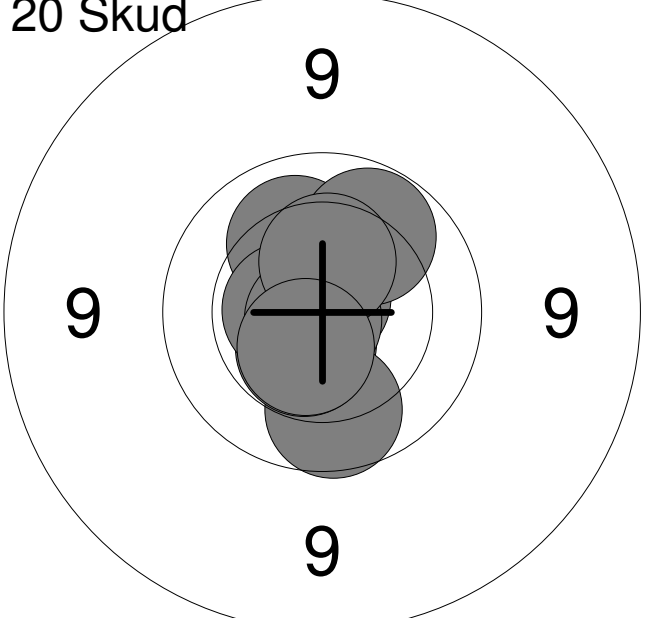


1:	10.1	←
2:	10.6x	←
3:	10.0	↑
4:	10.6x	↗
5:	10.4	↗
6:	10.1	→
7:	10.6x	↑
8:	10.2	→
9:	9.9	↗
10:	10.2	↗
Serie		99
Total		99

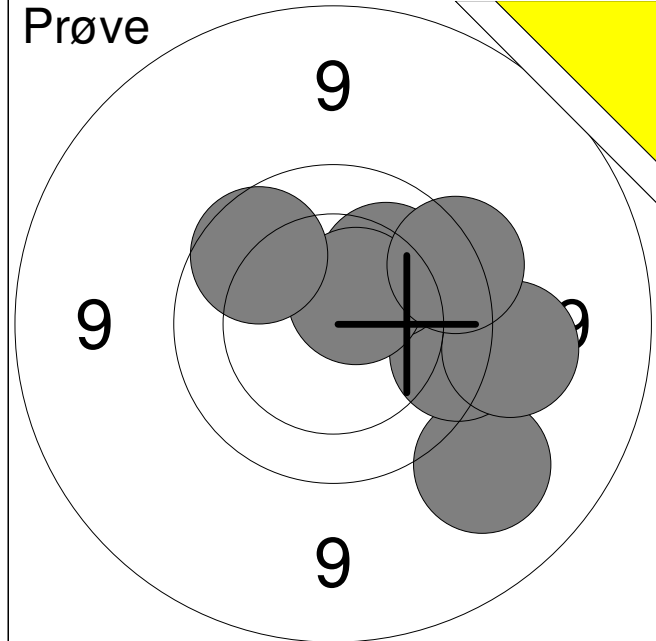


11:	10.3	→
12:	10.8x	↗
13:	10.7x	↑
14:	10.2	→
15:	9.8	↓
16:	10.8x	↗
17:	10.7x	↗
18:	10.7x	↓
19:	10.5x	→
20:	10.1	↓
Serie		99
Total		198

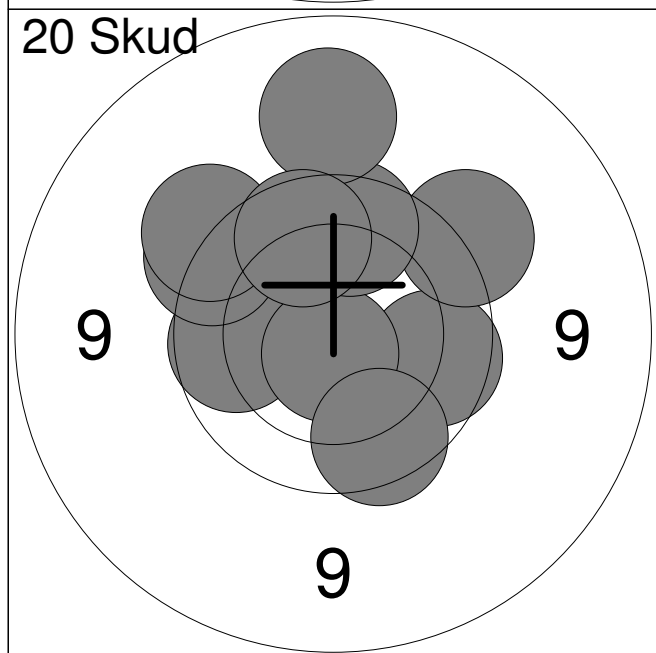
<p>Prøve</p> 	<table style="width:100%; border-collapse: collapse;"> <tr><td style="width:5%;">1:</td><td style="width:15%;">9.9</td><td style="width:5%; text-align: right;">↓</td></tr> <tr><td>2:</td><td>10.6x</td><td style="text-align: right;">↙</td></tr> <tr><td>3:</td><td>9.9</td><td style="text-align: right;">↓</td></tr> <tr><td>4:</td><td>10.6x</td><td style="text-align: right;">↙</td></tr> <tr><td>5:</td><td>10.5x</td><td style="text-align: right;">↓</td></tr> <tr><td>6:</td><td>10.5</td><td style="text-align: right;">↓</td></tr> <tr><td>7:</td><td>10.6x</td><td style="text-align: right;">↙</td></tr> <tr><td>8:</td><td>10.3</td><td style="text-align: right;">↙</td></tr> <tr><td>9:</td><td>10.8x</td><td style="text-align: right;">↓</td></tr> <tr><td>10:</td><td>10.1</td><td style="text-align: right;">↓</td></tr> <tr><td colspan="2">Serie</td><td style="text-align: right;">98</td></tr> <tr><td colspan="2">Total</td><td style="text-align: right;">0</td></tr> </table>	1:	9.9	↓	2:	10.6x	↙	3:	9.9	↓	4:	10.6x	↙	5:	10.5x	↓	6:	10.5	↓	7:	10.6x	↙	8:	10.3	↙	9:	10.8x	↓	10:	10.1	↓	Serie		98	Total		0
1:	9.9	↓																																			
2:	10.6x	↙																																			
3:	9.9	↓																																			
4:	10.6x	↙																																			
5:	10.5x	↓																																			
6:	10.5	↓																																			
7:	10.6x	↙																																			
8:	10.3	↙																																			
9:	10.8x	↓																																			
10:	10.1	↓																																			
Serie		98																																			
Total		0																																			

<p>20 Skud</p> 	<table style="width:100%; border-collapse: collapse;"> <tr><td style="width:5%;">1:</td><td style="width:15%;">10.6x</td><td style="width:5%; text-align: right;">↓</td></tr> <tr><td>2:</td><td>9.9</td><td style="text-align: right;">↓</td></tr> <tr><td>3:</td><td>10.5x</td><td style="text-align: right;">↓</td></tr> <tr><td>4:</td><td>10.1</td><td style="text-align: right;">↑</td></tr> <tr><td>5:</td><td>10.8x</td><td style="text-align: right;">↑</td></tr> <tr><td>6:</td><td>10.0</td><td style="text-align: right;">↗</td></tr> <tr><td>7:</td><td>10.6x</td><td style="text-align: right;">↙</td></tr> <tr><td>8:</td><td>10.8x</td><td style="text-align: right;">↙</td></tr> <tr><td>9:</td><td>10.4</td><td style="text-align: right;">↑</td></tr> <tr><td>10:</td><td>10.5x</td><td style="text-align: right;">↓</td></tr> <tr><td colspan="2">Serie</td><td style="text-align: right;">99</td></tr> <tr><td colspan="2">Total</td><td style="text-align: right;">99</td></tr> </table>	1:	10.6x	↓	2:	9.9	↓	3:	10.5x	↓	4:	10.1	↑	5:	10.8x	↑	6:	10.0	↗	7:	10.6x	↙	8:	10.8x	↙	9:	10.4	↑	10:	10.5x	↓	Serie		99	Total		99
1:	10.6x	↓																																			
2:	9.9	↓																																			
3:	10.5x	↓																																			
4:	10.1	↑																																			
5:	10.8x	↑																																			
6:	10.0	↗																																			
7:	10.6x	↙																																			
8:	10.8x	↙																																			
9:	10.4	↑																																			
10:	10.5x	↓																																			
Serie		99																																			
Total		99																																			

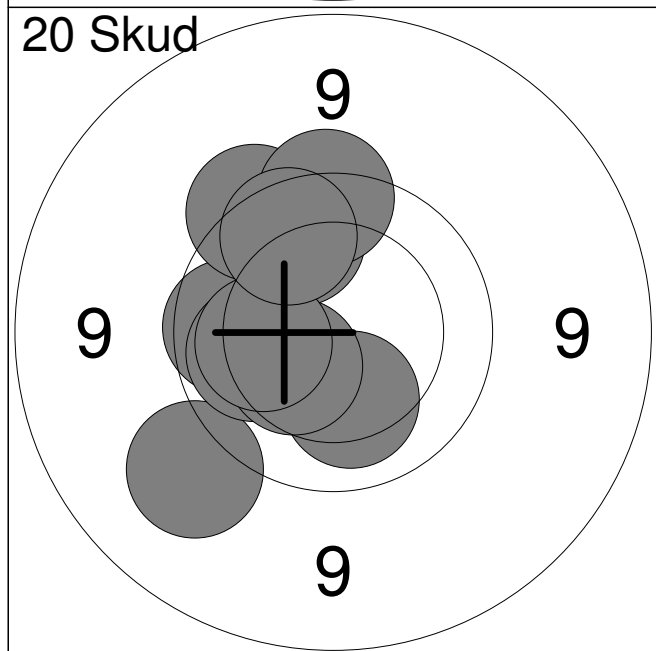
<p>20 Skud</p> 	<table style="width:100%; border-collapse: collapse;"> <tr><td style="width:5%;">11:</td><td style="width:15%;">10.6x</td><td style="width:5%; text-align: right;">↘</td></tr> <tr><td>12:</td><td>10.6x</td><td style="text-align: right;">↙</td></tr> <tr><td>13:</td><td>10.6x</td><td style="text-align: right;">↙</td></tr> <tr><td>14:</td><td>10.9x</td><td style="text-align: right;">↗</td></tr> <tr><td>15:</td><td>10.5x</td><td style="text-align: right;">↓</td></tr> <tr><td>16:</td><td>10.8x</td><td style="text-align: right;">↗</td></tr> <tr><td>17:</td><td>10.5x</td><td style="text-align: right;">↘</td></tr> <tr><td>18:</td><td>10.6x</td><td style="text-align: right;">↗</td></tr> <tr><td>19:</td><td>10.8x</td><td style="text-align: right;">↓</td></tr> <tr><td>20:</td><td>10.7x</td><td style="text-align: right;">↙</td></tr> <tr><td colspan="2">Serie</td><td style="text-align: right;">100</td></tr> <tr><td colspan="2">Total</td><td style="text-align: right;">199</td></tr> </table>	11:	10.6x	↘	12:	10.6x	↙	13:	10.6x	↙	14:	10.9x	↗	15:	10.5x	↓	16:	10.8x	↗	17:	10.5x	↘	18:	10.6x	↗	19:	10.8x	↓	20:	10.7x	↙	Serie		100	Total		199
11:	10.6x	↘																																			
12:	10.6x	↙																																			
13:	10.6x	↙																																			
14:	10.9x	↗																																			
15:	10.5x	↓																																			
16:	10.8x	↗																																			
17:	10.5x	↘																																			
18:	10.6x	↗																																			
19:	10.8x	↓																																			
20:	10.7x	↙																																			
Serie		100																																			
Total		199																																			



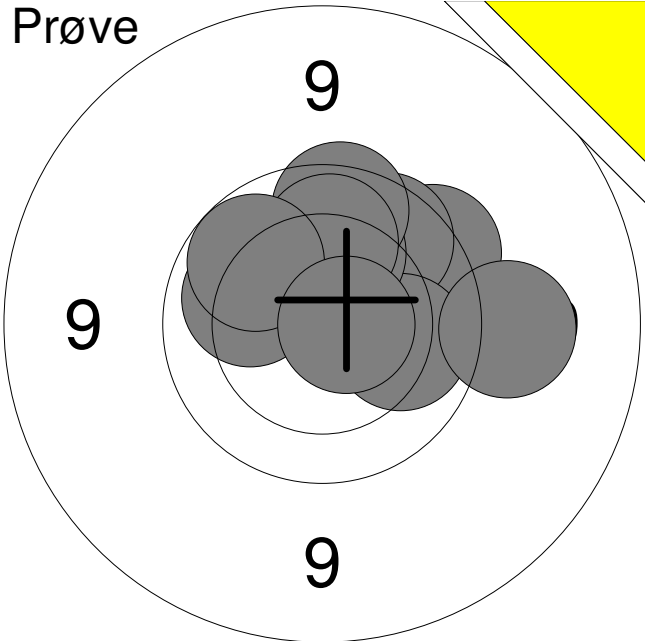
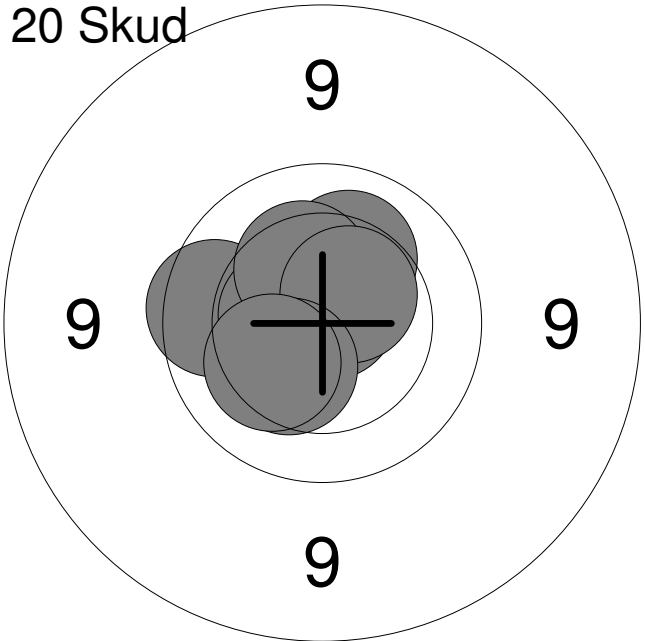
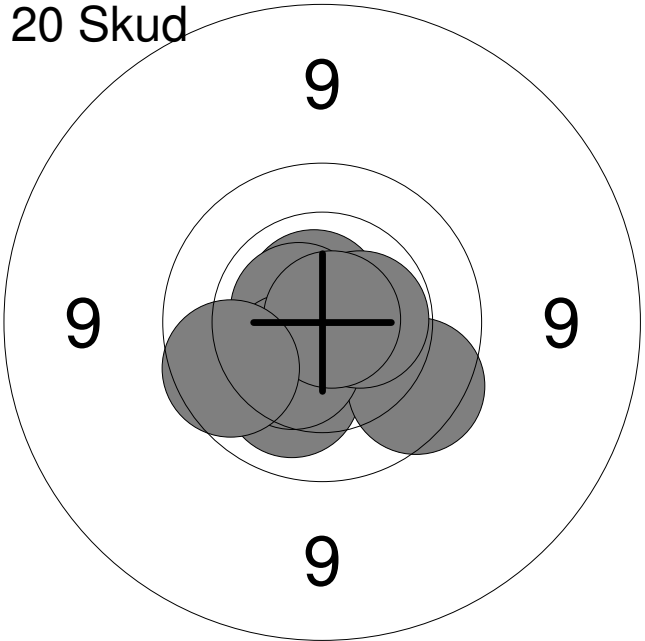
1:	9.2	↘
2:	9.7	→
3:	9.4	→
4:	10.1	↗
5:	10.6x	↗
6:	9.7	→
7:	9.9	↗
Serie		65
Total		0



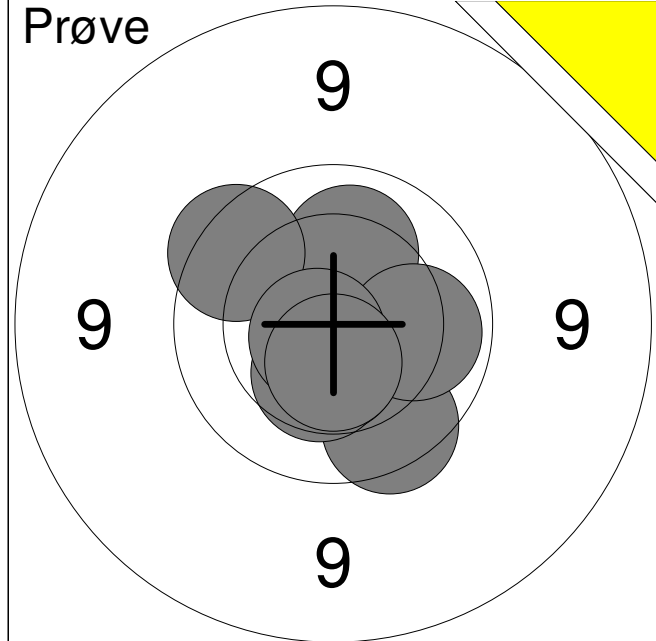
1:	9.9	←
2:	9.6	↗
3:	9.9	→
4:	10.7x	↓
5:	9.5	↗
6:	9.5	↗
7:	9.8	↑
8:	9.8	↓
9:	9.1	↑
10:	9.9	↑
Serie		91
Total		91



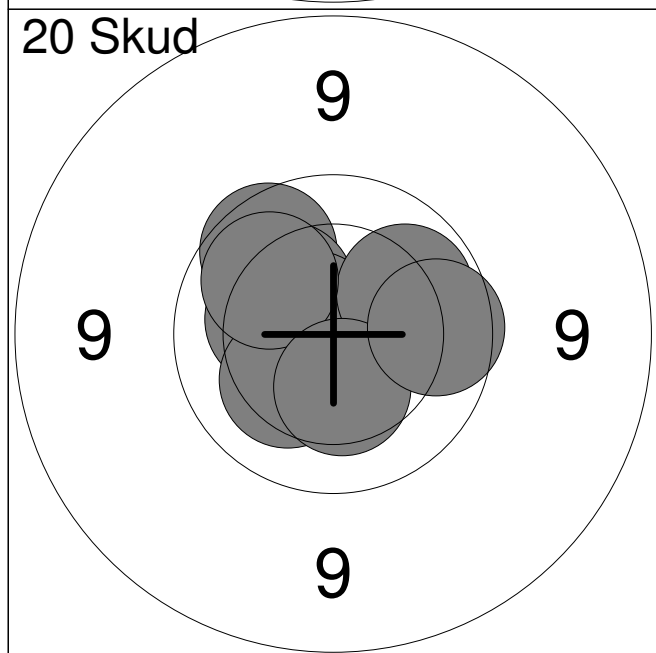
11:	9.9	↑
12:	9.9	←
13:	9.3	↘
14:	10.2	↓
15:	10.1	←
16:	10.4	↖
17:	9.6	↗
18:	10.2	←
19:	9.7	↑
20:	9.9	↗
Serie		94
Total		185

Hold	Skive	Mie Mortensen		
62	2	Aalborg	Vester Hassing Skytteforening	MBK1
02.02.2018		Nordjysk mesterskab 2018	Aalborg Skyttekreds	
Prøve		1:	9.7	↗
		2:	9.9	↗
		3:	10.1	→
		4:	10.1	↑
		5:	9.8	↑
		6:	9.4	→
		7:	10.0	↑
		8:	10.1	←
		9:	10.0	↖
		10:	10.7x	→
		Serie	96	
		Total	0	
20 Skud		1:	10.4	↑
		2:	10.6x	↑
		3:	9.8	←
		4:	10.2	↑
		5:	10.8x	↗
		6:	10.5x	←
		7:	10.3	↑
		8:	10.5x	↗
		9:	10.4	↘
		10:	10.2	↘
		Serie	99	
		Total	99	
20 Skud		11:	10.1	↘
		12:	10.7x	←
		13:	10.8x	↗
		14:	10.7x	↑
		15:	9.8	↘
		16:	10.7x	←
		17:	10.4	↘
		18:	10.5x	→
		19:	10.8x	→
		20:	9.9	←
		Serie	98	
		Total	197	

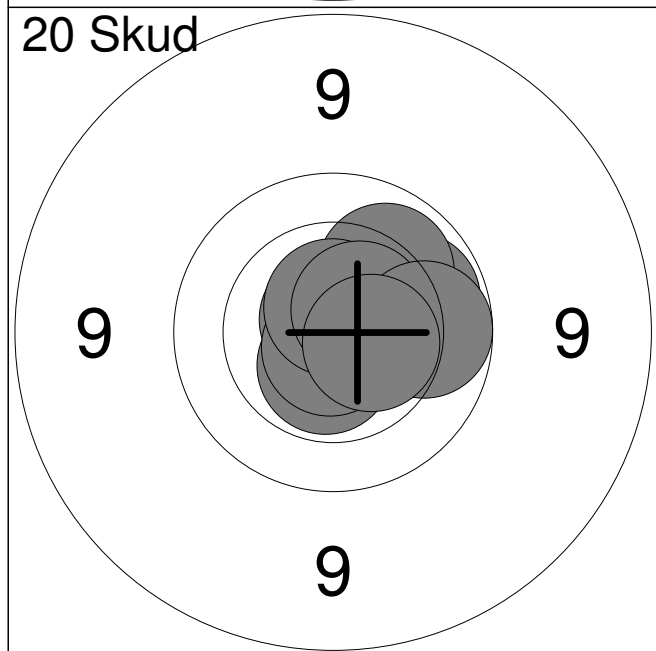
Hold	Skive	Rasmus Mikkelsen	
62	3		
Aalborg		Vilsted Skytteforening	
02.02.2018		MBK2	
Prøve		Nordjysk mesterskab 2018	
		1: 9.0 ↓ 2: 9.9 ↙ 3: 9.9 ↓ 4: 10.3 ↗ 5: 10.6x ↙ 6: 10.5x ↑ 7: 10.2 ↓ 8: 9.7 ← 9: 10.2 ↘ 10: 10.7x ↘ Serie 96 Total 0	
Prøve		Aalborg Skyttekreds	
		11: 10.0 ↗ 12: 10.1 ↓ 13: 10.8x ↘ 14: 9.9 ↖ 15: 10.4 ↗ 16: 10.3 ↓ 17: 9.8 → 18: 10.3 ↑ 19: 10.2 ↗ 20: 10.4 ↙ Serie 98 Total 0	
Prøve		20 Skud	
21: 9.9 ↖ Serie 9 Total 0		1: 9.5 → 2: 9.9 ↓ 3: 10.4 ↑ 4: 10.1 ↖ 5: 10.8x ↙ 6: 9.9 → 7: 10.6x → 8: 10.3 ↓ 9: 9.6 ↑ 10: 10.5 ↓ Serie 96 Total 96	
20 Skud			
		11: 10.6x ↘ 12: 10.3 ↗ 13: 10.2 → 14: 10.1 ↑ 15: 9.9 ↗ 16: 10.6x ↗ 17: 10.7x → 18: 10.7x ↑ 19: 9.9 ↘ 20: 10.2 → Serie 98 Total 194	



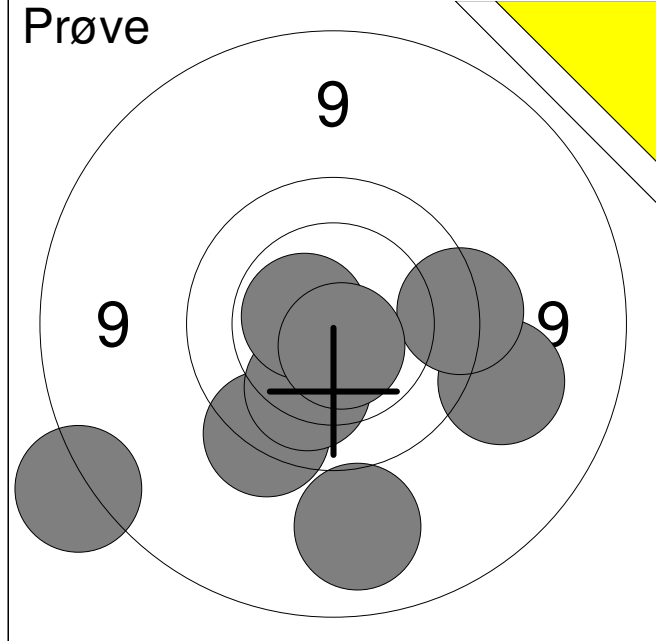
1:	10.2	↑
2:	9.8	↓
3:	10.1	→
4:	9.8	↖
5:	10.5x	↓
6:	10.4	↓
7:	10.7x	↙
8:	10.5x	↓
Serie		78
Total		0



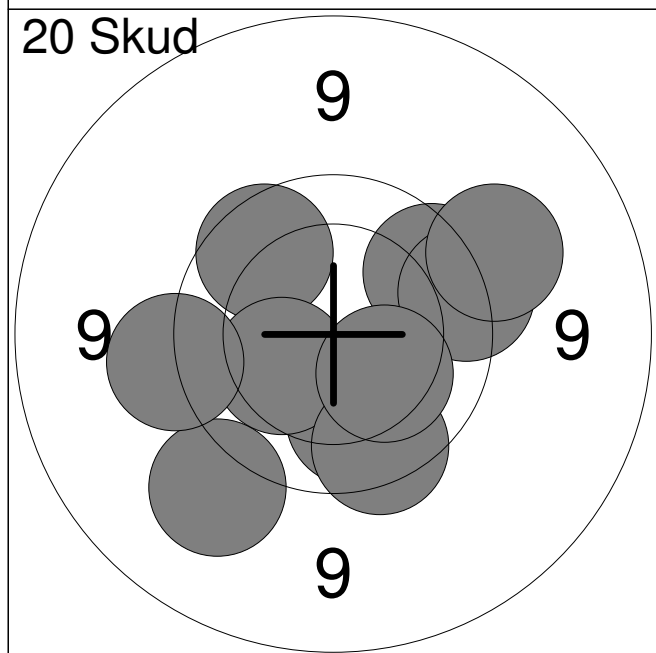
1:	9.9	↖
2:	10.2	↖
3:	10.3	←
4:	10.7x	↖
5:	10.6x	←
6:	10.2	↙
7:	10.0	↗
8:	10.0	↖
9:	10.4	↓
10:	9.9	→
Serie		98
Total		98



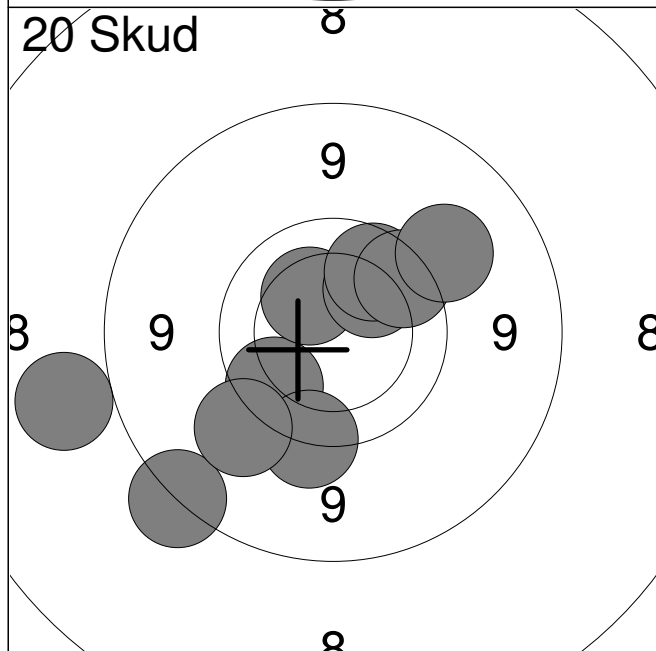
11:	10.7x	↑
12:	10.6x	↓
13:	10.0	→
14:	10.8x	↑
15:	10.8x	↓
16:	10.1	↗
17:	10.7x	↑
18:	10.6x	↗
19:	9.9	→
20:	10.5x	↘
Serie		99
Total		197



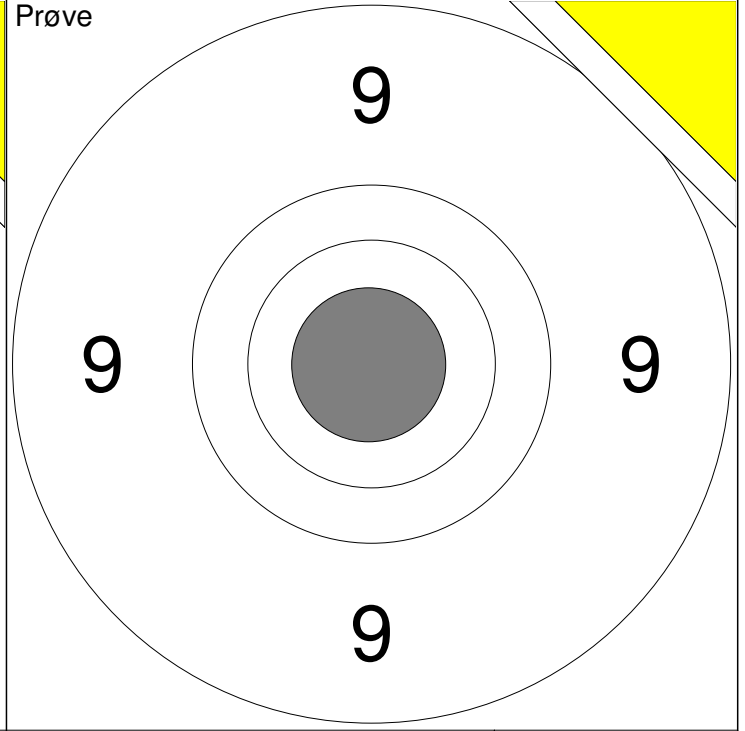
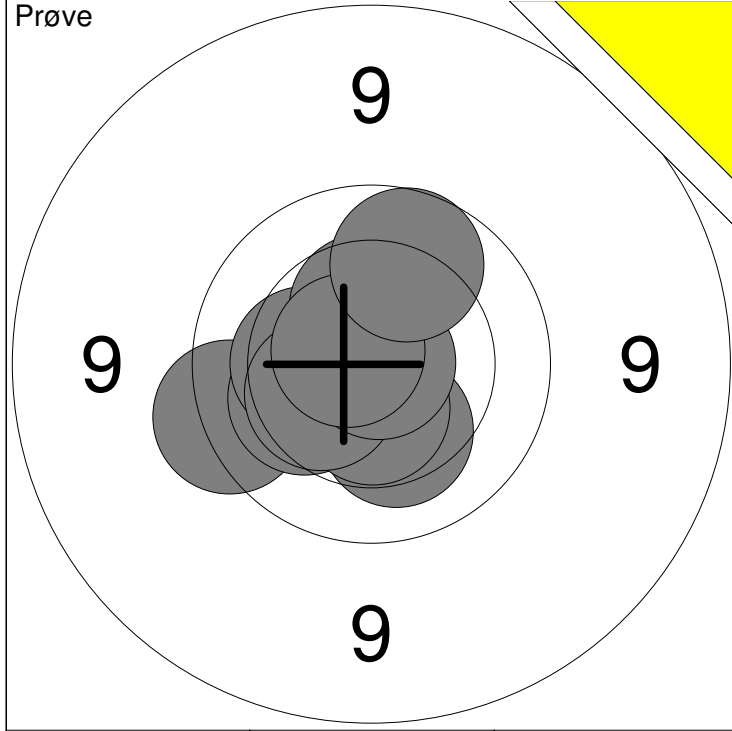
1:	9.6	↙
2:	9.3	→
3:	9.1	↘
4:	10.1	↘
5:	8.6	↙
6:	10.6x	↙
7:	9.7	→
8:	10.7x	↘
Serie		74
Total		0



1:	10.0	↘
2:	9.3	↘
3:	9.8	↗
4:	10.3	↙
5:	9.8	↘
6:	9.8	↗
7:	9.5	↙
8:	9.6	→
9:	9.4	↗
10:	10.2	↘
Serie		93
Total		93

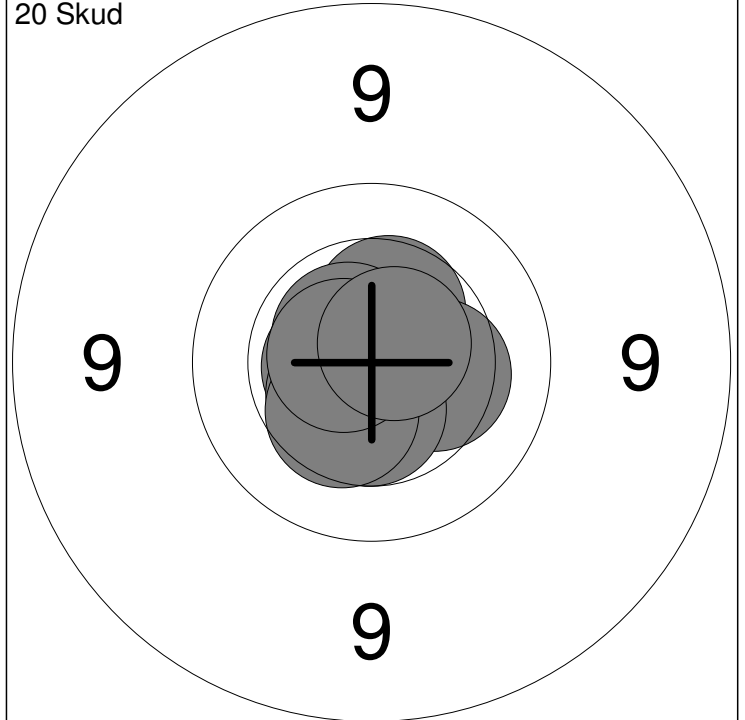
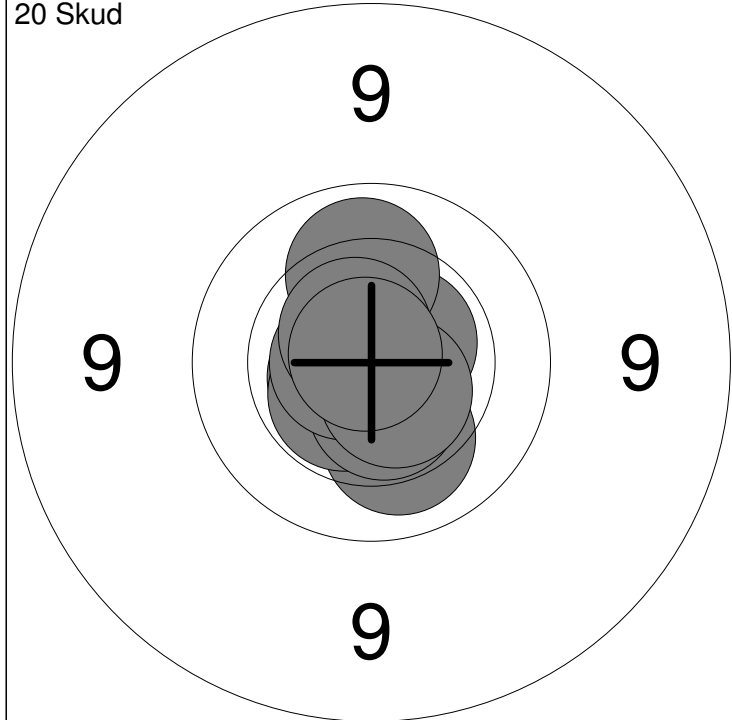


11:	9.8	↙
12:	10.3	↗
13:	10.1	↗
14:	9.9	↗
15:	9.8	↗
16:	9.3	↗
17:	8.7	↘
18:	9.6	↘
19:	9.4	↙
20:	8.4	↙
Serie		90
Total		183



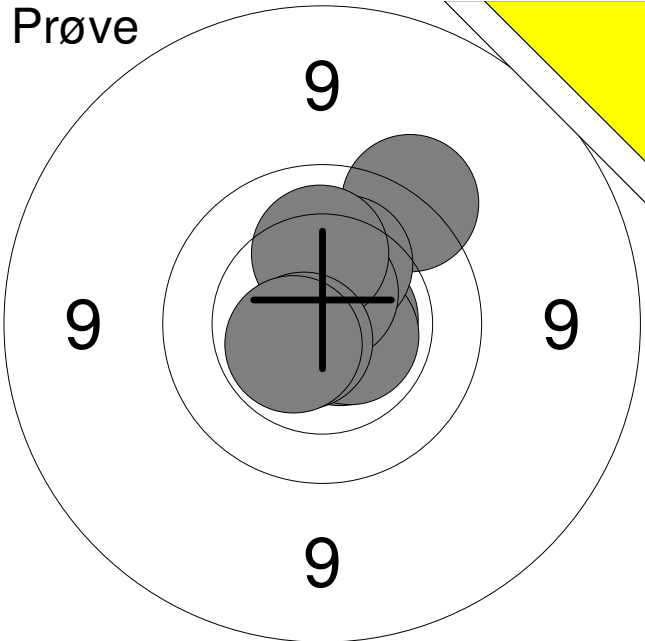
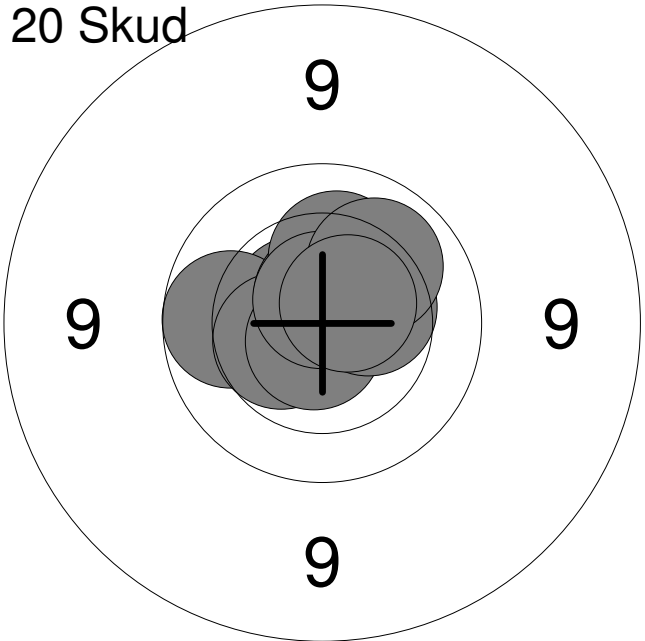
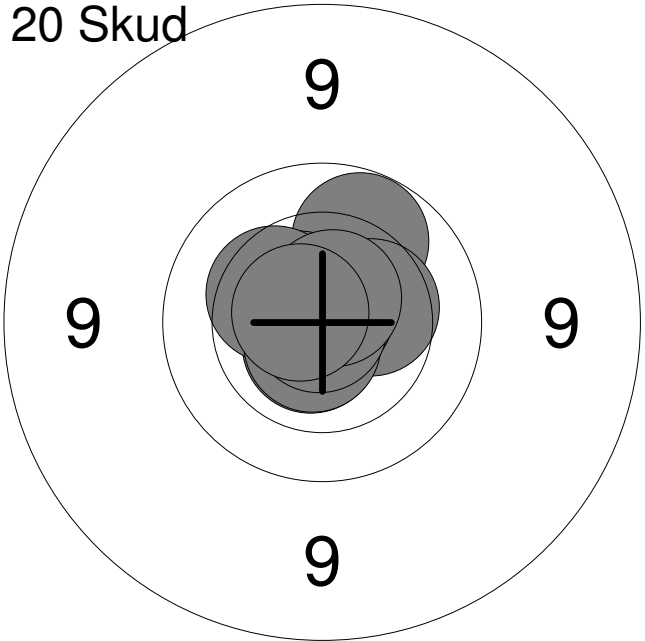
1: 9.7 ←	6: 10.4 ↑	Serie	98
2: 10.2 ←	7: 10.4 ←		
3: 10.3 ↓	8: 10.9x →	Total	0
4: 10.5x ↓	9: 10.7x ↖		
5: 10.3 ←	10: 9.9 ↑		

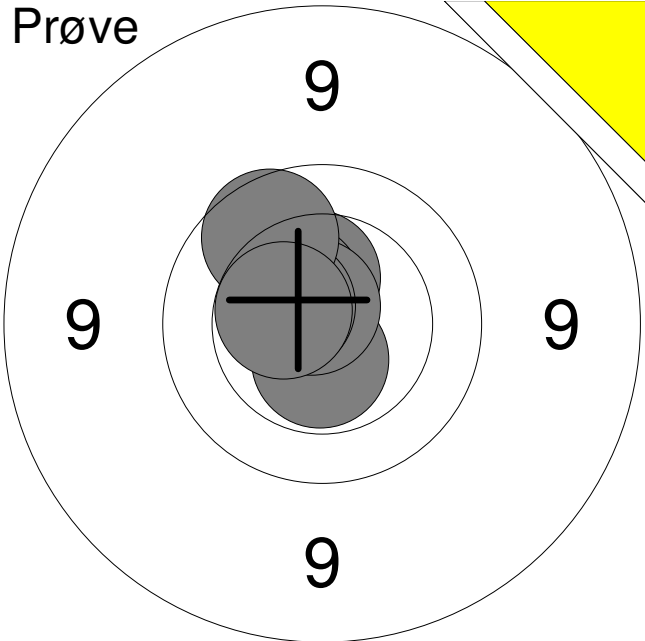
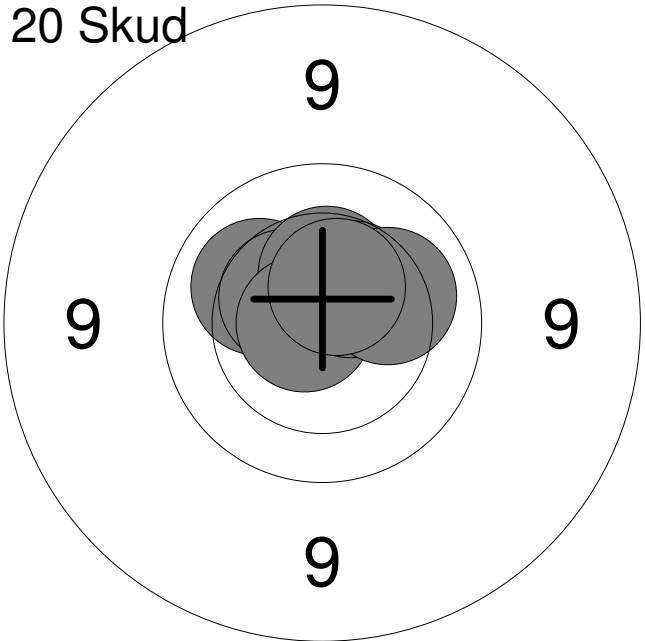
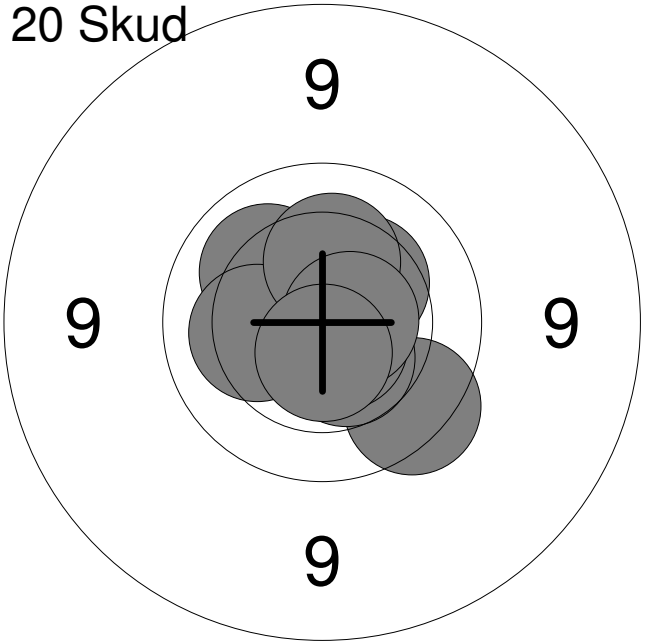
11: 10.9x ←	Serie	10
	Total	0

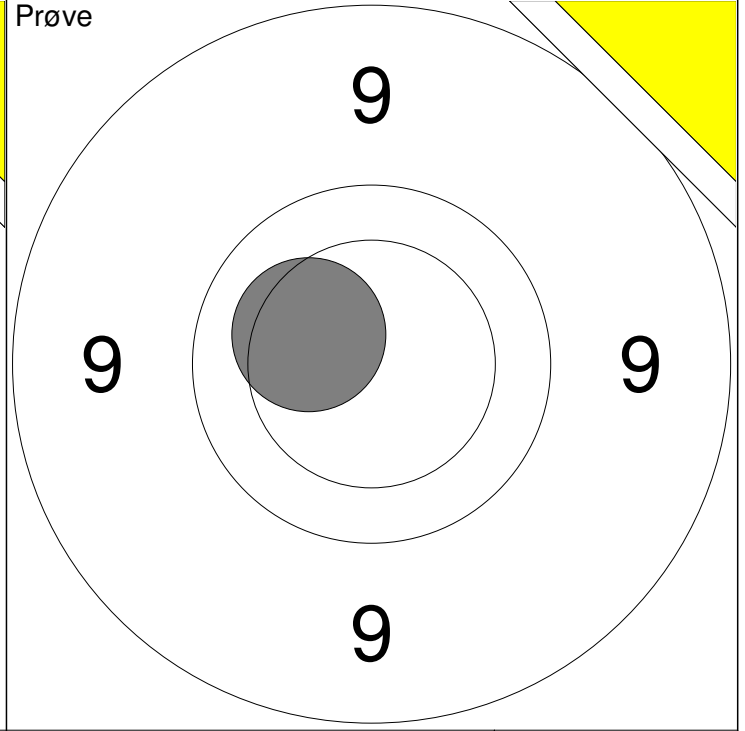
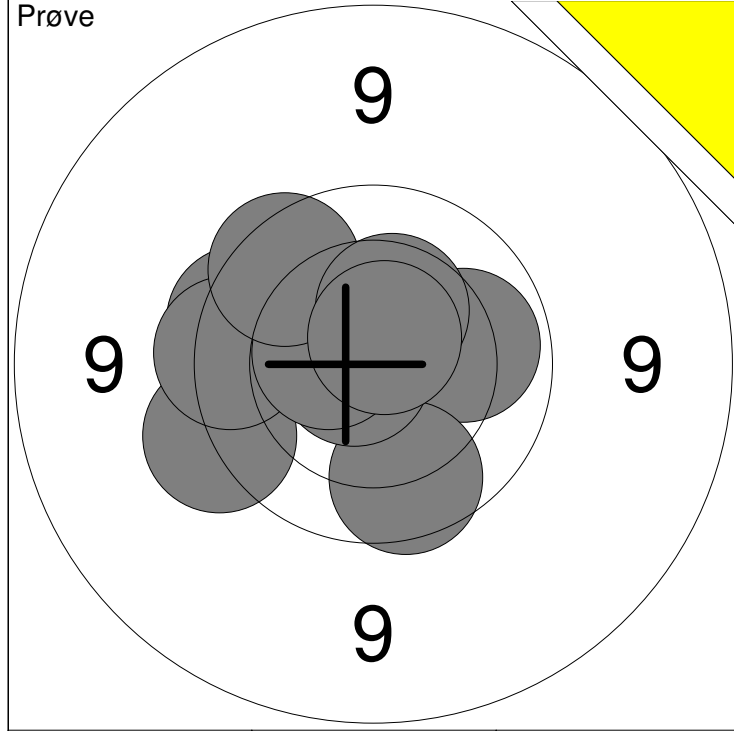


1: 10.6x ↗	6: 10.7x ←	Serie	100
2: 10.2 ↓	7: 10.6x ↓		
3: 10.6x ↖	8: 10.1 ↑	Total	100
4: 10.5x ↙	9: 10.6x ↗		
5: 10.5x ↓	10: 10.8x ↗		

11: 10.8x ←	16: 10.5x ↙	Serie	100
12: 10.4 ↑	17: 10.4 ↓		
13: 10.6x ←	18: 10.6x ↖	Total	200
14: 10.3 →	19: 10.7x ←		
15: 10.5 ↓	20: 10.7x ↗		

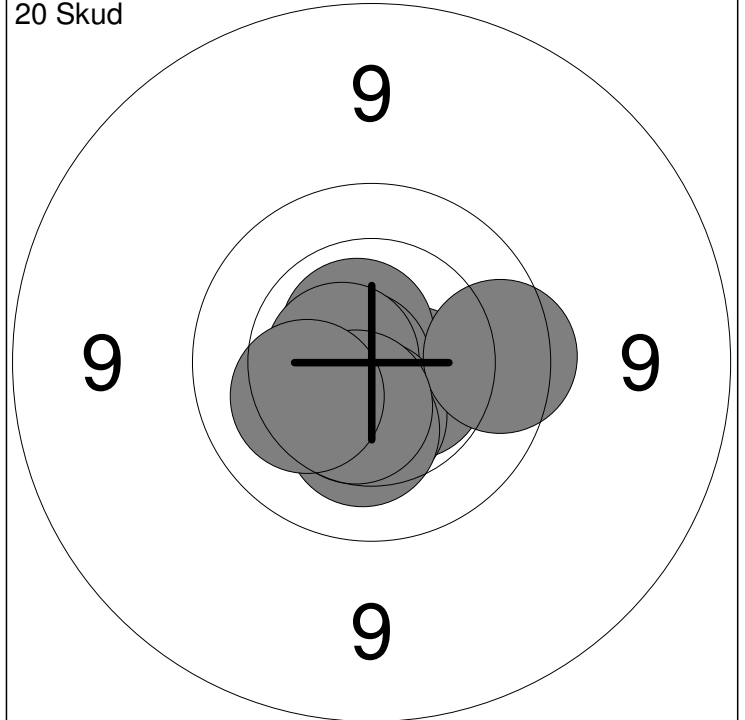
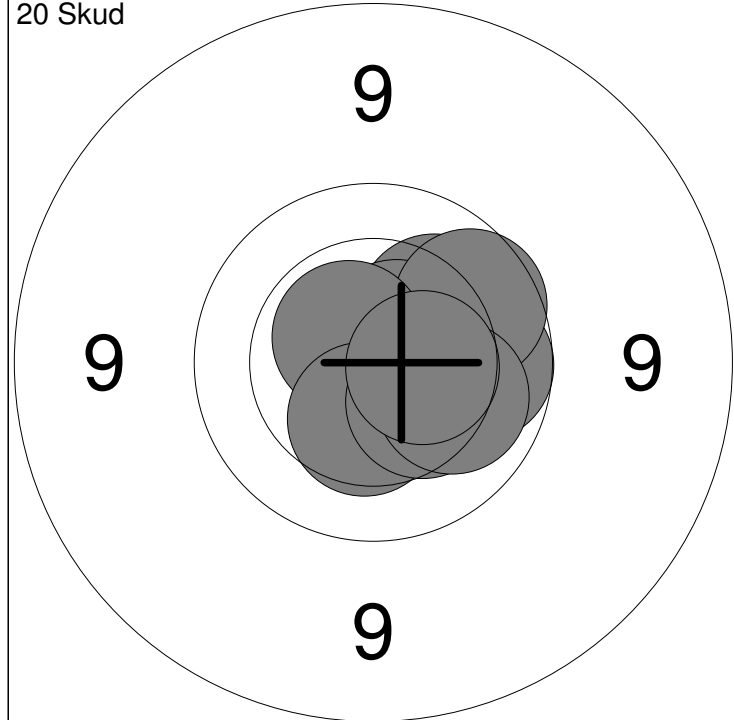
Hold	Skive	Liva Møller		
62	9	Aalborg	Vilsted Skytteforening	MBK1
02.02.2018		Nordjysk mesterskab 2018	Aalborg Skyttekreds	
Prøve		1:	9.6	↗
		2:	10.7x	↘
		3:	10.6x	→
		4:	10.6x	↘
5:	10.2	↗		
6:	10.6x	↗		
7:	10.2	↑		
8:	10.7x	↙		
9:	10.6x	↙		
Serie		89		
Total		0		
20 Skud		1:	10.6x	↖
		2:	9.9	←
		3:	10.5	↖
		4:	10.7x	↘
5:	10.7x	↑		
6:	10.2	↑		
7:	10.4	→		
8:	10.7x	↑		
9:	10.1	↗		
10:	10.6x	↗		
Serie		99		
Total		99		
20 Skud		11:	10.7x	↘
		12:	10.0	↗
		13:	10.4	→
		14:	10.8x	↗
15:	10.6x	↖		
16:	10.3	↖		
17:	10.7x	↘		
18:	10.9x	←		
19:	10.7x	↗		
20:	10.7x	↖		
Serie		100		
Total		199		

Hold	Skive	Lisa Weinreich Mertz				
62	10	Aalborg		Mou og Omegns Skytteforening	MBK1	
02.02.2018		Nordjysk mesterskab 2018		Aalborg Skyttekreds		
Prøve				1: 10.6x	↓	
				2: 10.4	↑	
				3: 10.5	↗	
				4: 10.7x	↗	
				5: 10.5x	↖	
				6: 9.9	↗	
				7: 10.5x	↖	
		Serie		69		
		Total		0		
20 Skud				1: 10.6x	↗	
				2: 10.7x	↗	
				3: 10.1	↖	
				4: 10.5	↗	
				5: 10.5x	↗	
				6: 10.4	↑	
				7: 10.8x	←	
				8: 10.5	↗	
				9: 10.2	→	
				10: 10.5x	↗	
		Serie		100		
		Total		100		
20 Skud				11: 10.6x	←	
				12: 10.3	↗	
				13: 10.1	↗	
				14: 10.2	←	
				15: 10.3	↑	
				16: 9.7	↓	
				17: 10.5	↓	
				18: 10.7x	↓	
				19: 10.6x	→	
				20: 10.6x	↓	
		Serie		99		
		Total		199		



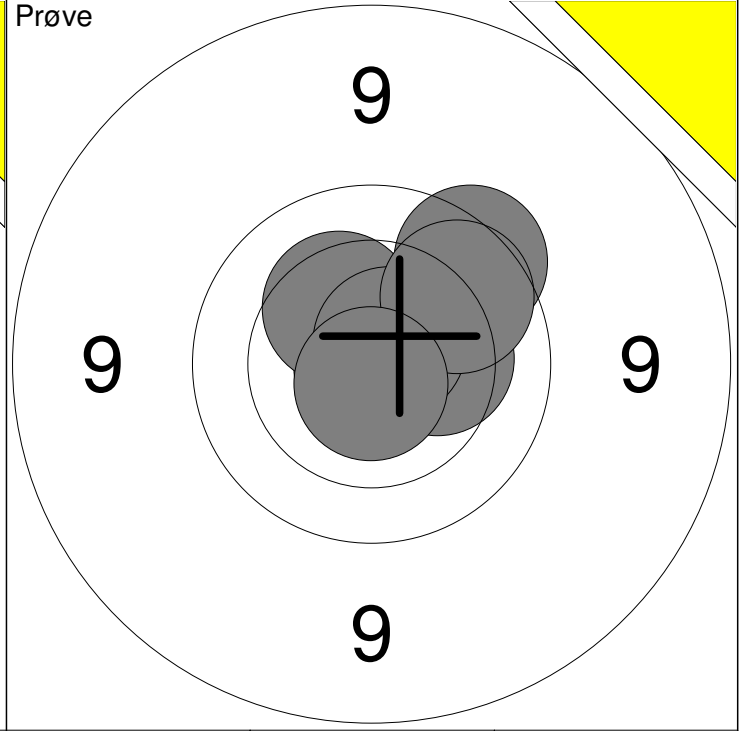
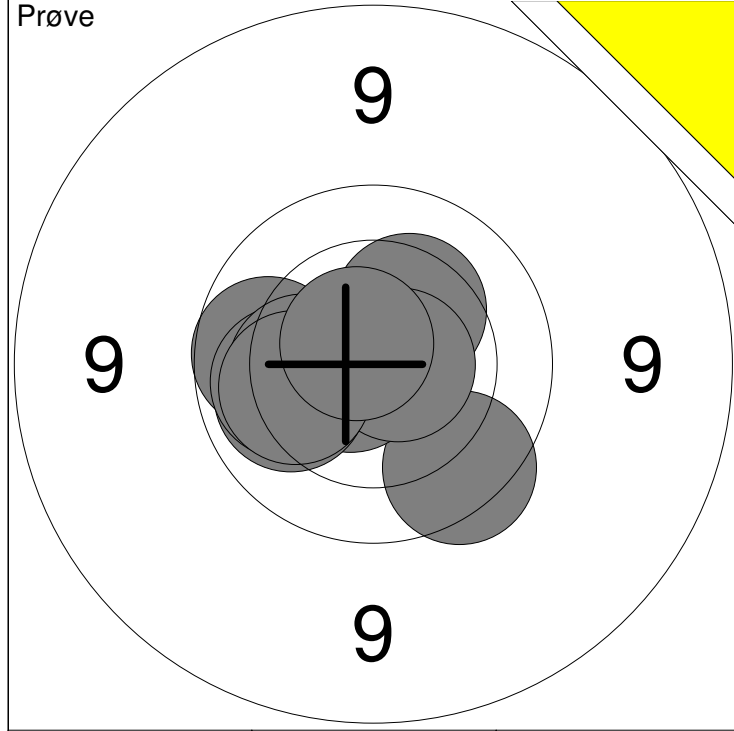
1: 10.0 →	6: 9.7 ←	Serie	95
2: 9.9 ↓	7: 10.5x ←		
3: 9.6 ←	8: 9.8 ↗	Total	0
4: 9.8 ←	9: 10.4 ↗		
5: 10.8x ←	10: 10.7x ↗		

11: 10.3 ←		Serie	10
		Total	0



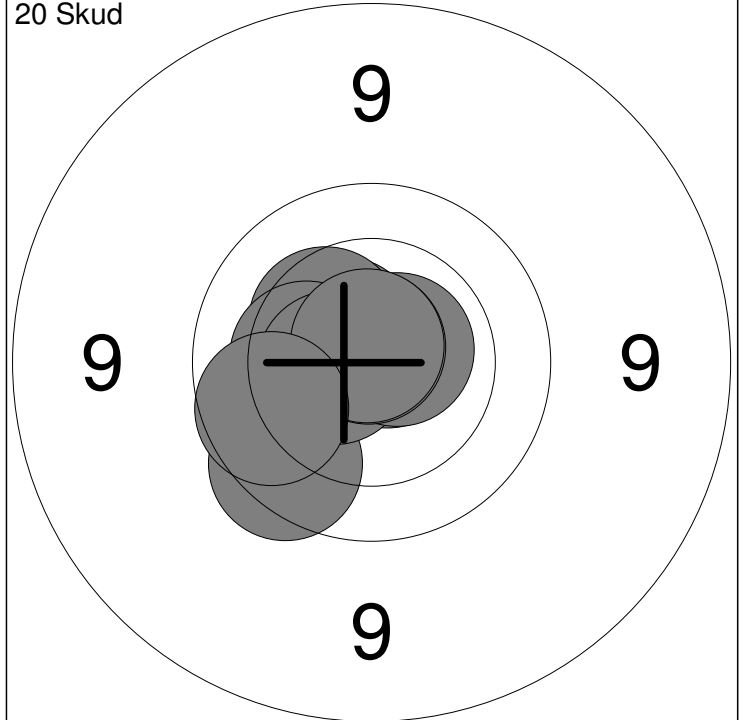
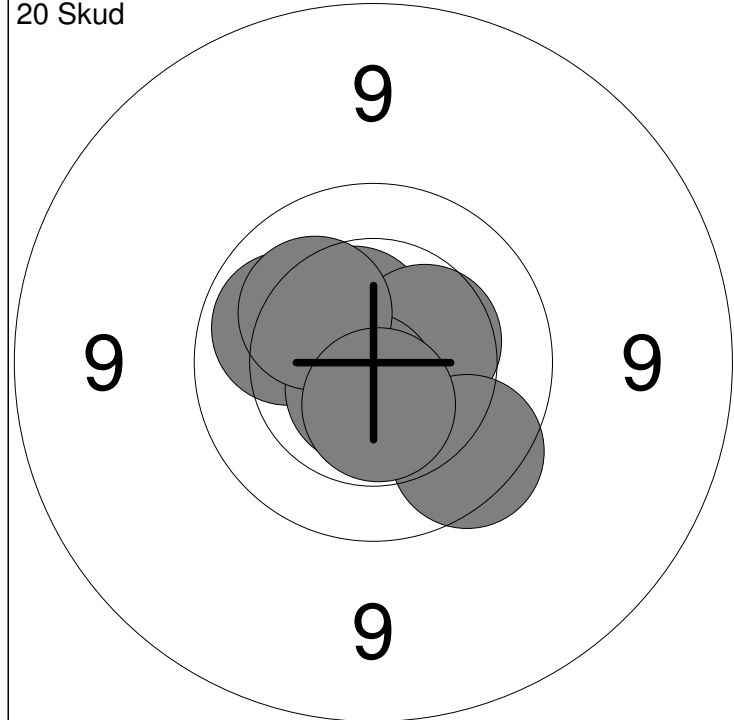
1: 10.2 ↗	6: 10.6x ↗	Serie	98
2: 10.6x ↗	7: 10.4 ↓		
3: 10.1 →	8: 10.3 ↓	Total	98
4: 9.9 →	9: 10.1 ↓		
5: 9.9 ↗	10: 10.5 →		

11: 10.5x →	16: 10.4 ↓	Serie	99
12: 10.7x ↓	17: 10.3 ↓		
13: 10.7x ↗	18: 9.8 →	Total	197
14: 10.8x ←	19: 10.5 ↓		
15: 10.7x ←	20: 10.2 ←		



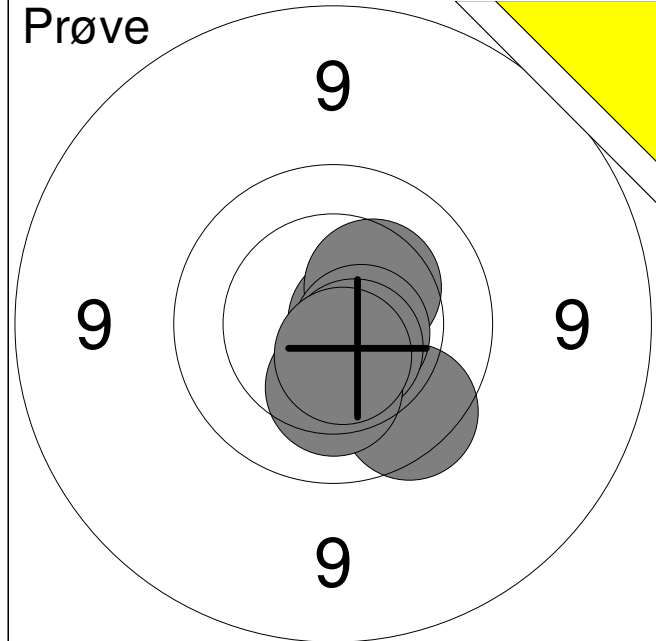
1: 9.8 ↘	6: 10.1 ←	Serie	98
2: 10.3 ↗	7: 10.1 ←		
3: 10.7x ←	8: 10.3 ←	Total	0
4: 9.9 ←	9: 10.2 ←		
5: 10.7x →	10: 10.7x ↙		

11: 10.9x ↓	16: 9.9 ↗	Serie	68
12: 10.3 ↖	17: 10.8x ↓		
13: 10.3 →		Total	0
14: 9.7 ↗			
15: 10.7x ↗			

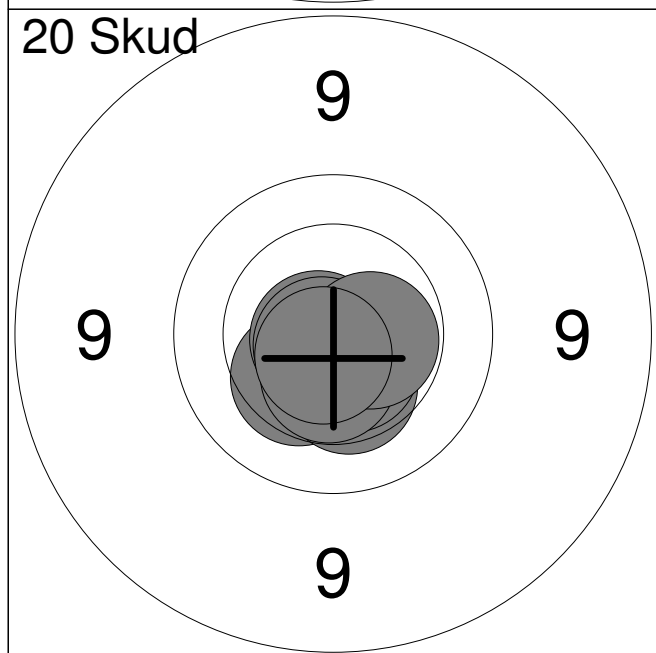


1: 10.5x ↗	6: 10.4 →	Serie	99
2: 10.8x ↓	7: 10.7x ↓		
3: 10.1 ↖	8: 10.2 ↖	Total	99
4: 10.7x ↓	9: 9.8 ↘		
5: 10.8x ↓	10: 10.5x ↓		

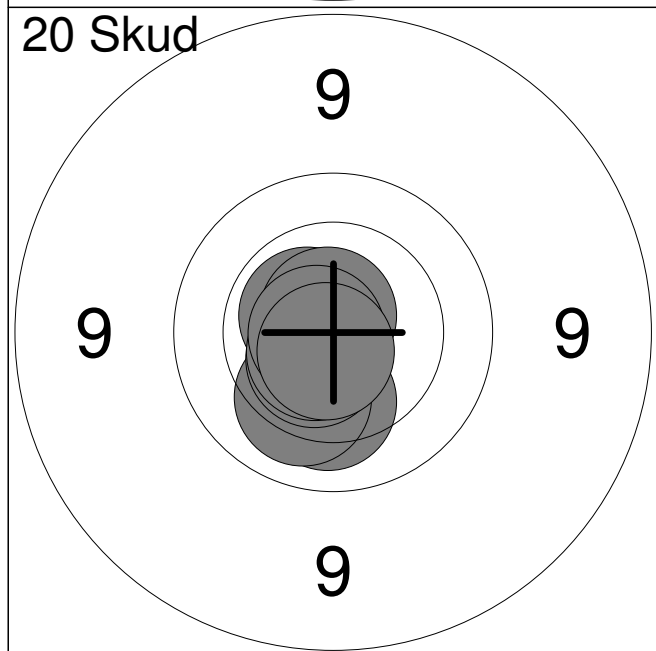
11: 9.8 ↘	16: 10.6x ←	Serie	98
12: 10.8x ↗	17: 10.7x ↗		
13: 10.6x ↖	18: 10.8x ↗	Total	197
14: 10.4 ↖	19: 10.8x ↗		
15: 10.3 ←	20: 9.9 ←		



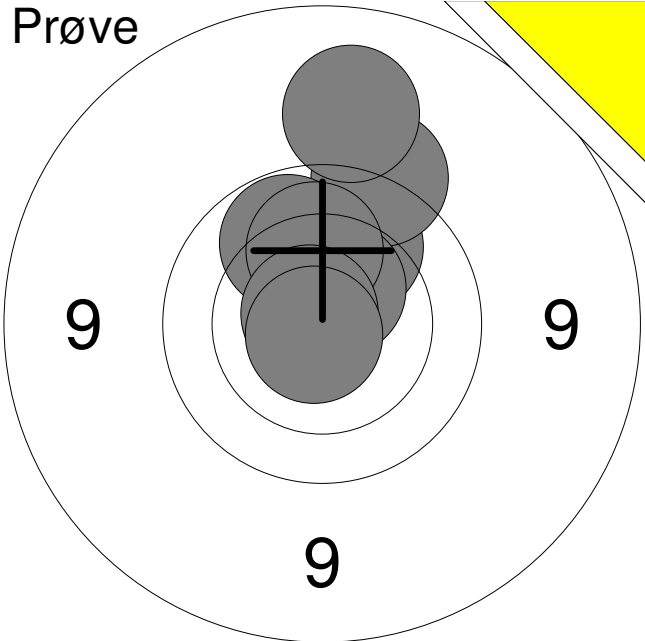
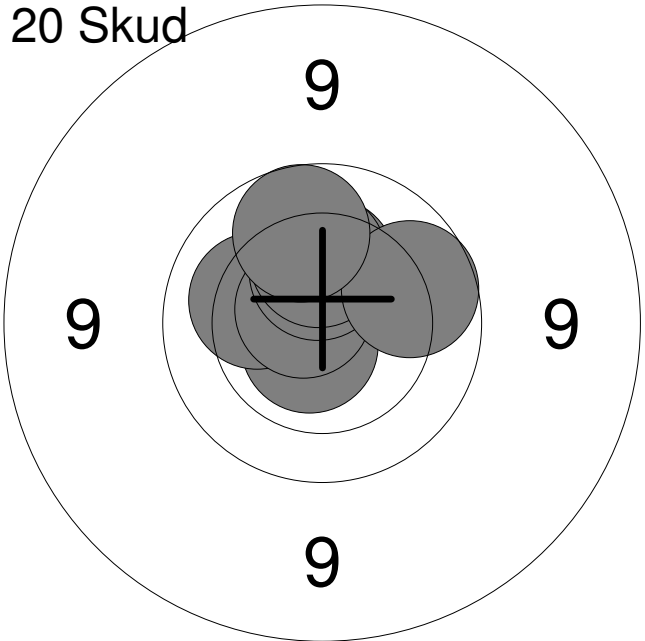
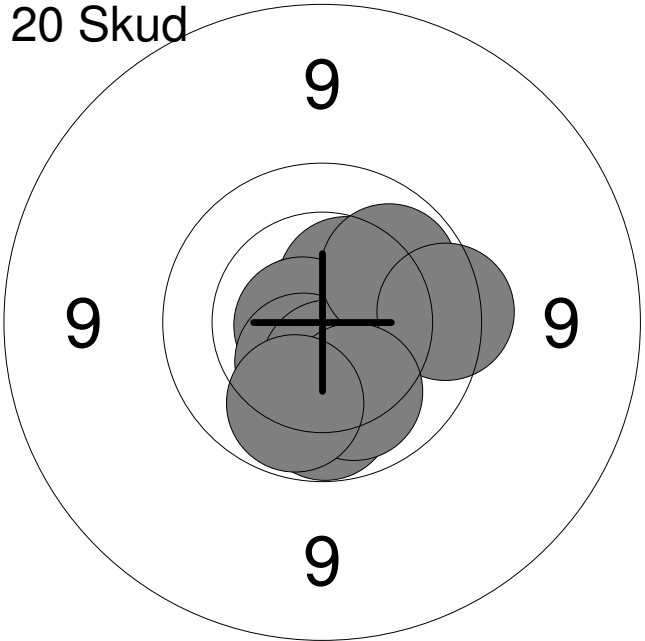
1:	9.8	↘
2:	10.7x	→
3:	10.4	↗
4:	10.6x	→
5:	10.6x	↘
6:	10.2	↓
7:	10.6x	↘
Serie		69
Total		0



1:	10.5	↘
2:	10.3	↘
3:	10.8x	←
4:	10.4	↘
5:	10.6x	↘
6:	10.6x	↘
7:	10.8x	↙
8:	10.5x	↓
9:	10.5x	→
10:	10.7x	↘
Serie		100
Total		100

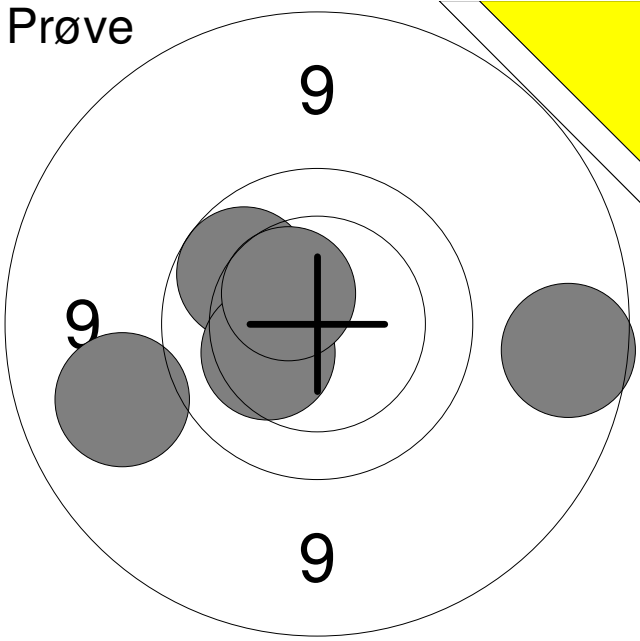


11:	10.8x	↙
12:	10.6x	↖
13:	10.2	↓
14:	10.6x	↘
15:	10.2	↘
16:	10.6x	↘
17:	10.6x	↙
18:	10.8x	↗
19:	10.8x	←
20:	10.7x	↘
Serie		100
Total		200

Hold 63	Skive 2	Johanne Axelsen		
Aalborg		Vester Hassing Skytteforening		MBK1
02.02.2018		Nordjysk mesterskab 2018		Aalborg Skyttekreds
Prøve 		1: 10.0 ↗ 2: 9.5 ↗ 3: 9.2 ↗ 4: 10.5x ↗ 5: 10.0 ↗ 6: 10.5x ↗ 7: 10.1 ↗ 8: 10.8x ↖ 9: 10.8x ↘	Serie 88 Total 0	
20 Skud 		1: 10.7x ↗ 2: 10.7x ↘ 3: 10.2 ↖ 4: 10.6x ↗ 5: 10.3 ↗ 6: 10.7x ↖ 7: 10.4 ↗ 8: 10.2 ↗ 9: 9.9 → 10: 9.9 ↗	Serie 98 Total 98	
20 Skud 		11: 10.8x ↖ 12: 10.5 ↗ 13: 10.7x ↖ 14: 10.5 ↘ 15: 10.4 ↘ 16: 10.0 ↘ 17: 10.0 ↗ 18: 9.7 → 19: 10.1 ↘ 20: 10.0 ↘	Serie 99 Total 197	

Hold	Skive	Frederikke Bach Svendsen		
63	3	Aalborg	Vester Hassing Skytteforening	MBK3
02.02.2018		Nordjysk mesterskab 2018	Aalborg Skyttekreds	
Prøve		1:	9.2	→
		2:	9.9	←
		3:	10.5	↘
		4:	10.5x	↗
		5:	9.9	→
		6:	10.0	↑
		7:	10.7x	↖
		Serie	67	
		Total	0	
20 Skud		1:	10.2	↑
		2:	10.6x	←
		3:	10.3	↘
		4:	10.4	↓
		5:	10.4	↓
		6:	10.5x	↘
		7:	10.4	↓
		8:	10.1	↗
		9:	9.7	↗
		10:	9.9	↘
		Serie	98	
		Total	98	
20 Skud		11:	9.8	↘
		12:	10.1	←
		13:	10.9x	↑
		14:	10.1	←
		15:	9.6	←
		16:	10.3	↖
		17:	10.1	←
		18:	10.9x	←
		19:	10.7x	↘
		20:	10.2	←
		Serie	98	
		Total	196	

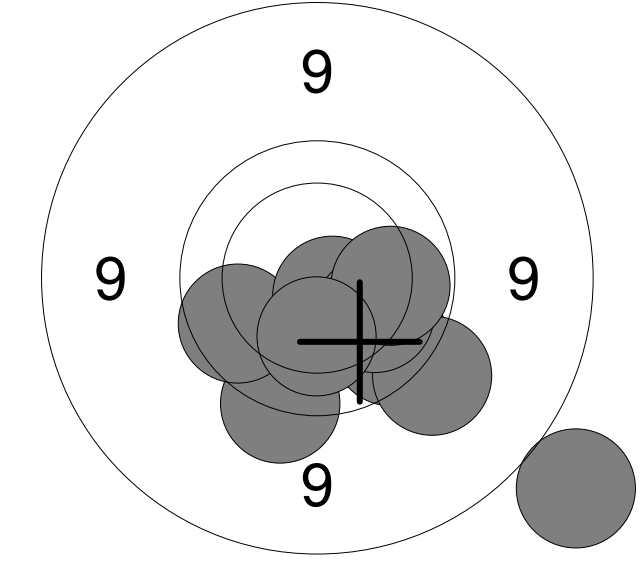
Prøve



1:	10.0	↗
2:	9.2	←
3:	10.3	←
4:	8.9	→
5:	10.5	↗

Serie	47
Total	0

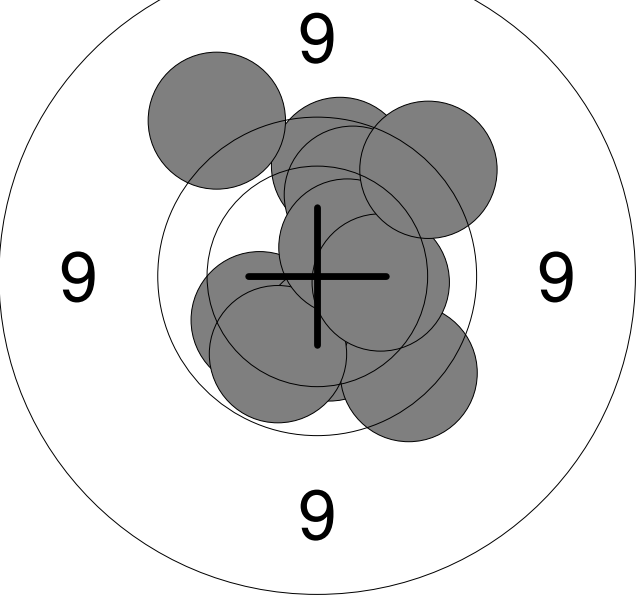
20 Skud



1:	8.4	↘
2:	9.9	↘
3:	9.8	↘
4:	9.4	↘
5:	9.6	↘
6:	9.9	←
7:	10.7x	↘
8:	10.1	↘
9:	10.0	→
10:	10.2	↓

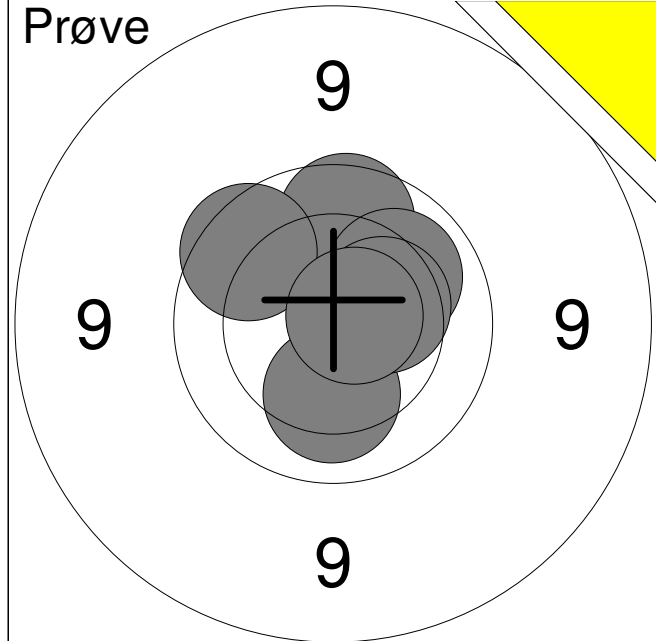
Serie	93
Total	93

20 Skud

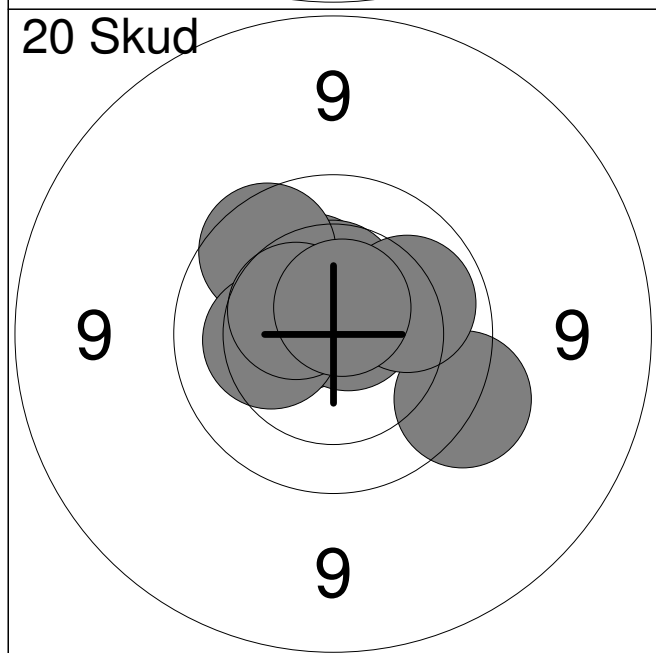


11:	10.1	←
12:	10.3	↓
13:	9.7	↘
14:	9.8	↑
15:	10.0	↘
16:	10.0	↑
17:	10.5x	↗
18:	9.4	↗
19:	10.2	→
20:	9.6	↗

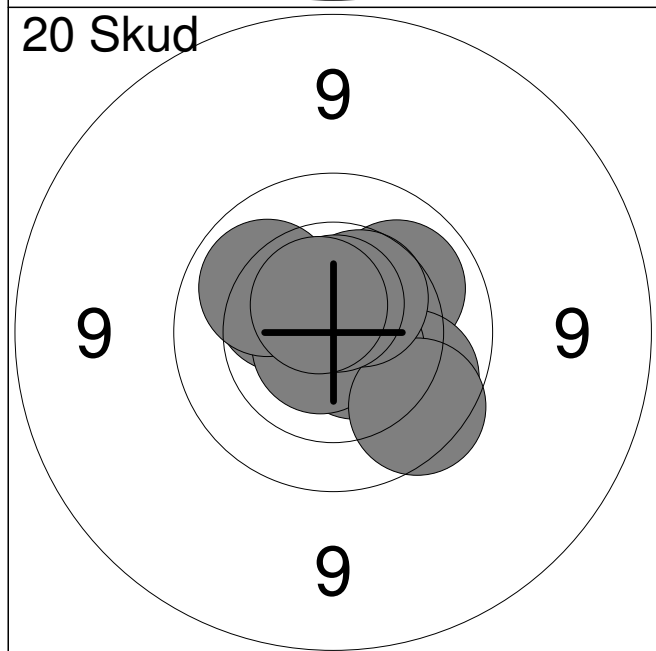
Serie	96
Total	189



1:	9.9	↑
2:	10.2	↓
3:	9.8	↖
4:	10.1	↗
5:	10.4	→
6:	10.7x	→
Serie		58
Total		0



1:	10.3	↑
2:	10.5	↑
3:	9.9	↖
4:	9.6	↘
5:	10.5x	←
6:	10.7x	↗
7:	10.1	→
8:	10.3	←
9:	10.5	↖
10:	10.6x	↑
Serie		98
Total		98

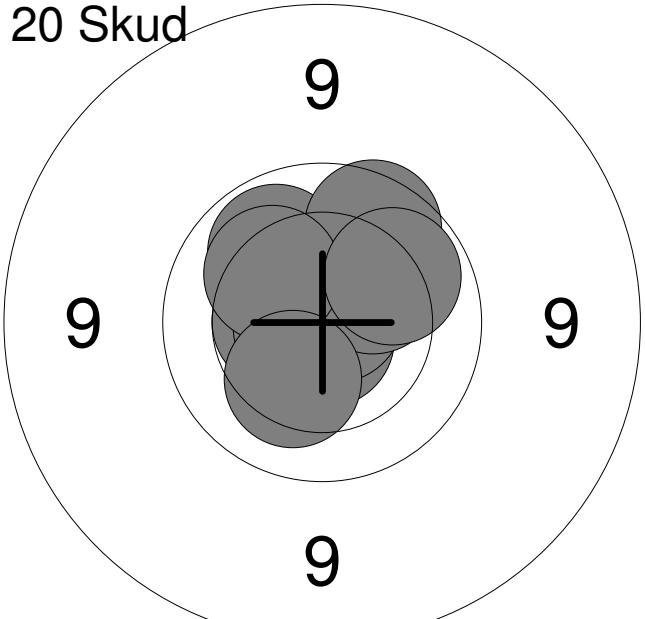


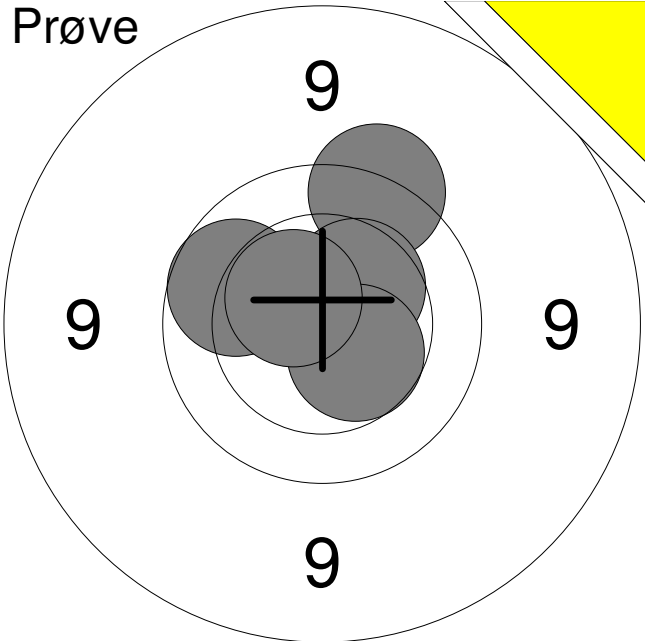
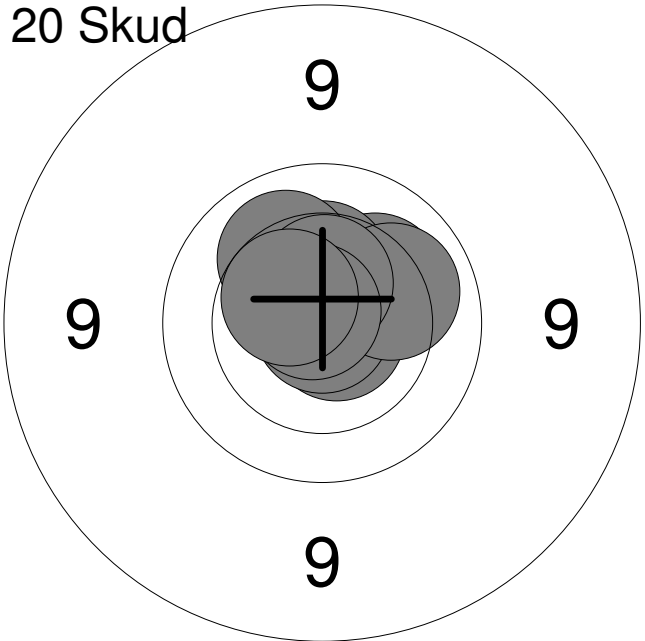
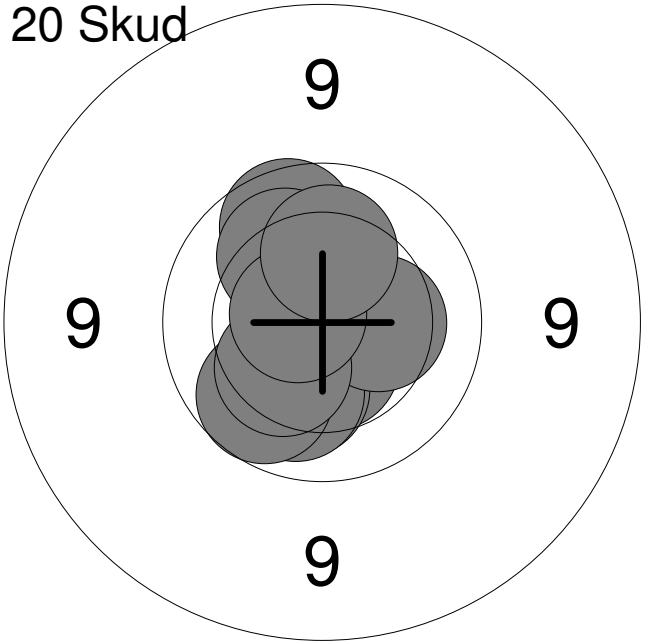
11:	10.1	↗
12:	10.3	↖
13:	10.0	↘
14:	10.6x	↘
15:	10.8x	↙
16:	9.8	↘
17:	10.5	↗
18:	10.6x	↑
19:	10.1	↖
20:	10.6x	↑
Serie		99
Total		197

<p>Prøve</p>	<table style="width:100%; border-collapse: collapse;"> <tr><td style="width:10%;">1:</td><td style="width:80%;">9.9</td><td style="width:10%; text-align: right;">→</td></tr> <tr><td>2:</td><td>10.2</td><td style="text-align: right;">←</td></tr> <tr><td>3:</td><td>9.6</td><td style="text-align: right;">←</td></tr> <tr><td>4:</td><td>10.2</td><td style="text-align: right;">↘</td></tr> <tr><td>5:</td><td>10.4</td><td style="text-align: right;">↖</td></tr> <tr><td>6:</td><td>10.1</td><td style="text-align: right;">↖</td></tr> <tr><td>7:</td><td>10.5</td><td style="text-align: right;">↗</td></tr> </table> <table border="1" style="width:100%; border-collapse: collapse; margin-top: 5px;"> <tr> <td style="width:90%;">Serie</td> <td style="text-align: right;">68</td> </tr> <tr> <td>Total</td> <td style="text-align: right;">0</td> </tr> </table>	1:	9.9	→	2:	10.2	←	3:	9.6	←	4:	10.2	↘	5:	10.4	↖	6:	10.1	↖	7:	10.5	↗	Serie	68	Total	0
1:	9.9	→																								
2:	10.2	←																								
3:	9.6	←																								
4:	10.2	↘																								
5:	10.4	↖																								
6:	10.1	↖																								
7:	10.5	↗																								
Serie	68																									
Total	0																									

<p>20 Skud</p>	<table style="width:100%; border-collapse: collapse;"> <tr><td style="width:10%;">1:</td><td style="width:80%;">10.0</td><td style="width:10%; text-align: right;">→</td></tr> <tr><td>2:</td><td>10.4</td><td style="text-align: right;">→</td></tr> <tr><td>3:</td><td>10.4</td><td style="text-align: right;">→</td></tr> <tr><td>4:</td><td>9.4</td><td style="text-align: right;">↘</td></tr> <tr><td>5:</td><td>10.0</td><td style="text-align: right;">↑</td></tr> <tr><td>6:</td><td>10.5</td><td style="text-align: right;">↖</td></tr> <tr><td>7:</td><td>10.3</td><td style="text-align: right;">→</td></tr> <tr><td>8:</td><td>10.5x</td><td style="text-align: right;">↗</td></tr> <tr><td>9:</td><td>10.5</td><td style="text-align: right;">↘</td></tr> <tr><td>10:</td><td>10.5x</td><td style="text-align: right;">↗</td></tr> </table> <table border="1" style="width:100%; border-collapse: collapse; margin-top: 5px;"> <tr> <td style="width:90%;">Serie</td> <td style="text-align: right;">99</td> </tr> <tr> <td>Total</td> <td style="text-align: right;">99</td> </tr> </table>	1:	10.0	→	2:	10.4	→	3:	10.4	→	4:	9.4	↘	5:	10.0	↑	6:	10.5	↖	7:	10.3	→	8:	10.5x	↗	9:	10.5	↘	10:	10.5x	↗	Serie	99	Total	99
1:	10.0	→																																	
2:	10.4	→																																	
3:	10.4	→																																	
4:	9.4	↘																																	
5:	10.0	↑																																	
6:	10.5	↖																																	
7:	10.3	→																																	
8:	10.5x	↗																																	
9:	10.5	↘																																	
10:	10.5x	↗																																	
Serie	99																																		
Total	99																																		

<p>20 Skud</p>	<table style="width:100%; border-collapse: collapse;"> <tr><td style="width:10%;">11:</td><td style="width:80%;">10.4</td><td style="width:10%; text-align: right;">→</td></tr> <tr><td>12:</td><td>10.8x</td><td style="text-align: right;">→</td></tr> <tr><td>13:</td><td>10.1</td><td style="text-align: right;">↑</td></tr> <tr><td>14:</td><td>10.5</td><td style="text-align: right;">↘</td></tr> <tr><td>15:</td><td>10.2</td><td style="text-align: right;">→</td></tr> <tr><td>16:</td><td>10.3</td><td style="text-align: right;">↘</td></tr> <tr><td>17:</td><td>10.7x</td><td style="text-align: right;">←</td></tr> <tr><td>18:</td><td>9.8</td><td style="text-align: right;">↗</td></tr> <tr><td>19:</td><td>10.5x</td><td style="text-align: right;">↘</td></tr> <tr><td>20:</td><td>10.2</td><td style="text-align: right;">↖</td></tr> </table> <table border="1" style="width:100%; border-collapse: collapse; margin-top: 5px;"> <tr> <td style="width:90%;">Serie</td> <td style="text-align: right;">99</td> </tr> <tr> <td>Total</td> <td style="text-align: right;">198</td> </tr> </table>	11:	10.4	→	12:	10.8x	→	13:	10.1	↑	14:	10.5	↘	15:	10.2	→	16:	10.3	↘	17:	10.7x	←	18:	9.8	↗	19:	10.5x	↘	20:	10.2	↖	Serie	99	Total	198
11:	10.4	→																																	
12:	10.8x	→																																	
13:	10.1	↑																																	
14:	10.5	↘																																	
15:	10.2	→																																	
16:	10.3	↘																																	
17:	10.7x	←																																	
18:	9.8	↗																																	
19:	10.5x	↘																																	
20:	10.2	↖																																	
Serie	99																																		
Total	198																																		

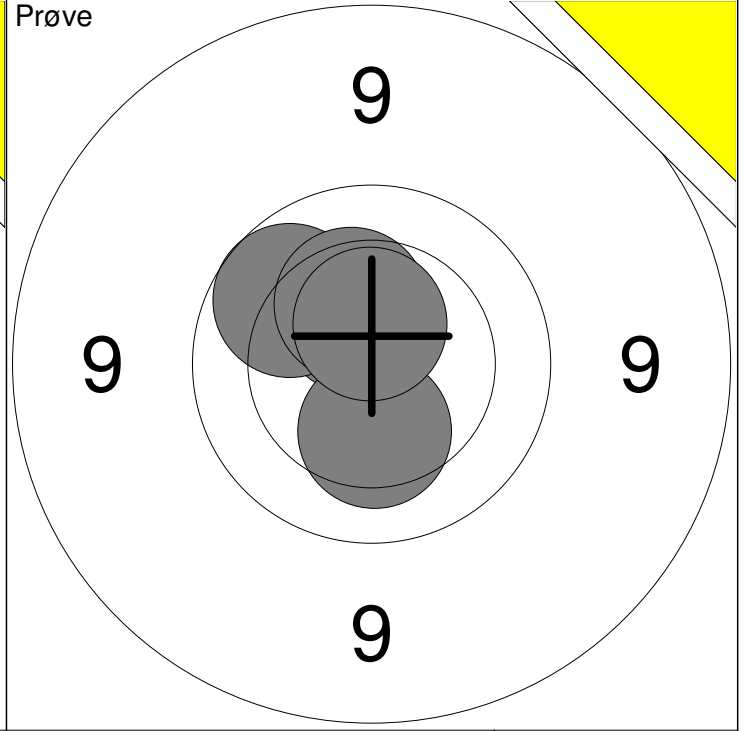
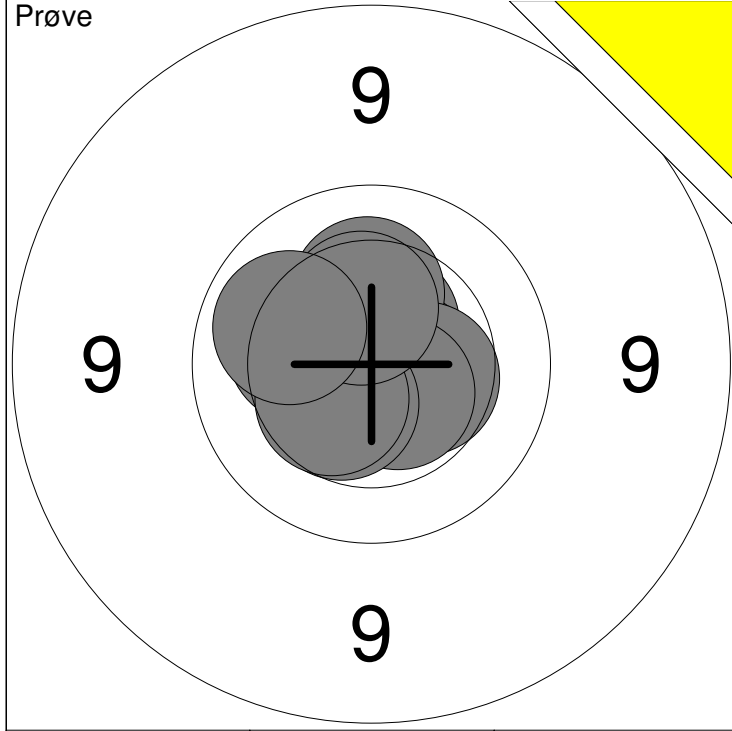
Hold 63	Skive 8	Laurits Horne		
Aalborg		Hjørring Skytteforening		BK3
02.02.2018		Nordjysk mesterskab 2018		Aalborg Skyttekreds
Prøve 		1: 9.7 ↘ 2: 9.7 ↘ 3: 10.8x ↘ 4: 9.3 ↓ 5: 9.6 ↓ 6: 9.9 ↓ 7: 9.9 ↓ 8: 10.5 ← 9: 10.6x ↘		
		Serie		84
		Total		0
20 Skud 		1: 9.9 ← 2: 10.2 ← 3: 8.4 ↘ 4: 9.7 ↗ 5: 9.8 ↗ 6: 10.8x ↘ 7: 10.5 ↗ 8: 10.4 ↗ 9: 10.4 ↓ 10: 10.5x ←		
		Serie		95
		Total		95
20 Skud 		11: 10.8x ↓ 12: 10.5 ← 13: 10.7x ← 14: 10.0 ↗ 15: 10.8x ↗ 16: 10.3 ↗ 17: 9.9 ↗ 18: 10.2 ↗ 19: 10.0 ↗ 20: 10.2 ↓		
		Serie		99
		Total		194

Hold	Skive	Christian Amdi Munk		
63	9	Aalborg	Vester Hassing Skytteforening	BK4
02.02.2018		Nordjysk mesterskab 2018	Aalborg Skyttekreds	
Prøve		1:	9.9	↖
		2:	9.6	↗
		3:	10.4	↗
		4:	10.5	↘
		5:	10.5x	↗
		Serie		48
		Total		0
20 Skud		1:	10.8x	→
		2:	10.2	↗
		3:	10.8x	↘
		4:	10.9x	↓
		5:	10.4	↑
		6:	10.1	↗
		7:	10.1	↗
		8:	10.5x	↑
		9:	10.8x	↗
		10:	10.5x	↗
		Serie		100
		Total		100
20 Skud		11:	10.5x	↓
		12:	10.2	↓
		13:	10.1	↓
		14:	9.9	↖
		15:	10.3	→
		16:	10.3	↖
		17:	9.9	↗
		18:	10.1	↗
		19:	10.7x	↖
		20:	10.2	↑
		Serie		98
		Total		198

<p>Prøve</p> 	<table style="width:100%; border-collapse: collapse;"> <tr><td style="width:5%;">1:</td><td style="width:15%;">9.8</td><td style="width:10%; text-align: right;">↑</td></tr> <tr><td>2:</td><td>9.7</td><td style="text-align: right;">↑</td></tr> <tr><td>3:</td><td>9.8</td><td style="text-align: right;">↗</td></tr> <tr><td>4:</td><td>10.6x</td><td style="text-align: right;">→</td></tr> <tr><td>5:</td><td>9.8</td><td style="text-align: right;">↑</td></tr> <tr><td>6:</td><td>9.7</td><td style="text-align: right;">↓</td></tr> <tr><td>7:</td><td>9.7</td><td style="text-align: right;">↑</td></tr> <tr><td>8:</td><td>9.4</td><td style="text-align: right;">←</td></tr> <tr><td>9:</td><td>10.1</td><td style="text-align: right;">→</td></tr> <tr><td>10:</td><td>10.5x</td><td style="text-align: right;">↙</td></tr> <tr><td colspan="2">Serie</td><td style="text-align: right;">93</td></tr> <tr><td colspan="2">Total</td><td style="text-align: right;">0</td></tr> </table>	1:	9.8	↑	2:	9.7	↑	3:	9.8	↗	4:	10.6x	→	5:	9.8	↑	6:	9.7	↓	7:	9.7	↑	8:	9.4	←	9:	10.1	→	10:	10.5x	↙	Serie		93	Total		0
1:	9.8	↑																																			
2:	9.7	↑																																			
3:	9.8	↗																																			
4:	10.6x	→																																			
5:	9.8	↑																																			
6:	9.7	↓																																			
7:	9.7	↑																																			
8:	9.4	←																																			
9:	10.1	→																																			
10:	10.5x	↙																																			
Serie		93																																			
Total		0																																			

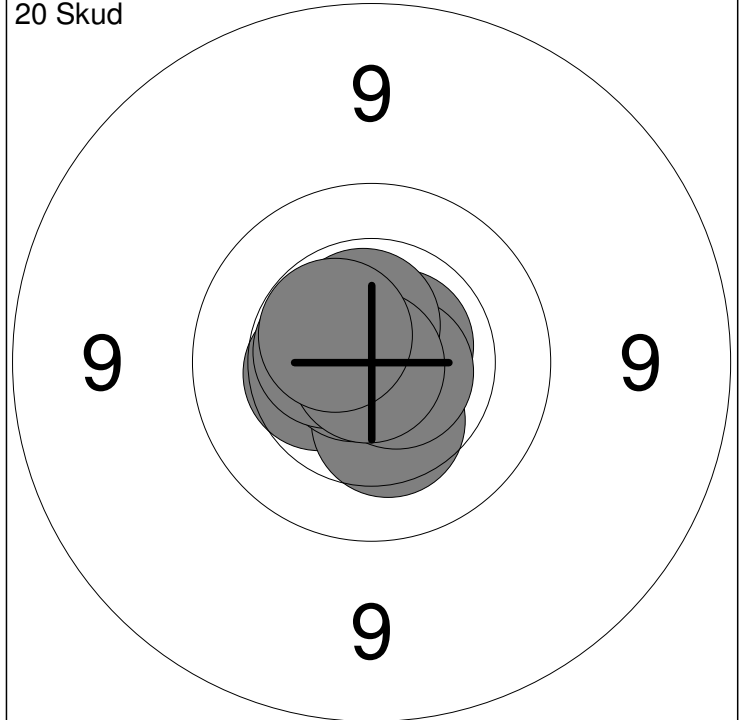
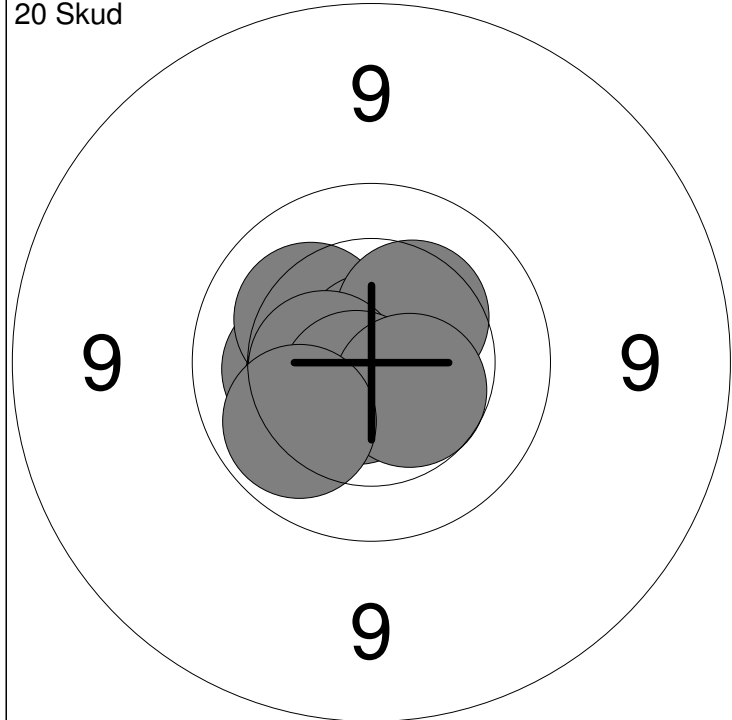
<p>20 Skud</p> 	<table style="width:100%; border-collapse: collapse;"> <tr><td style="width:5%;">1:</td><td style="width:15%;">10.5x</td><td style="width:10%; text-align: right;">↓</td></tr> <tr><td>2:</td><td>10.0</td><td style="text-align: right;">←</td></tr> <tr><td>3:</td><td>10.4</td><td style="text-align: right;">↗</td></tr> <tr><td>4:</td><td>9.6</td><td style="text-align: right;">↑</td></tr> <tr><td>5:</td><td>10.0</td><td style="text-align: right;">←</td></tr> <tr><td>6:</td><td>10.6x</td><td style="text-align: right;">↗</td></tr> <tr><td>7:</td><td>10.2</td><td style="text-align: right;">←</td></tr> <tr><td>8:</td><td>10.1</td><td style="text-align: right;">→</td></tr> <tr><td>9:</td><td>10.8x</td><td style="text-align: right;">↑</td></tr> <tr><td>10:</td><td>10.8x</td><td style="text-align: right;">↙</td></tr> <tr><td colspan="2">Serie</td><td style="text-align: right;">99</td></tr> <tr><td colspan="2">Total</td><td style="text-align: right;">99</td></tr> </table>	1:	10.5x	↓	2:	10.0	←	3:	10.4	↗	4:	9.6	↑	5:	10.0	←	6:	10.6x	↗	7:	10.2	←	8:	10.1	→	9:	10.8x	↑	10:	10.8x	↙	Serie		99	Total		99
1:	10.5x	↓																																			
2:	10.0	←																																			
3:	10.4	↗																																			
4:	9.6	↑																																			
5:	10.0	←																																			
6:	10.6x	↗																																			
7:	10.2	←																																			
8:	10.1	→																																			
9:	10.8x	↑																																			
10:	10.8x	↙																																			
Serie		99																																			
Total		99																																			

<p>20 Skud</p> 	<table style="width:100%; border-collapse: collapse;"> <tr><td style="width:5%;">11:</td><td style="width:15%;">10.2</td><td style="width:10%; text-align: right;">↗</td></tr> <tr><td>12:</td><td>10.3</td><td style="text-align: right;">←</td></tr> <tr><td>13:</td><td>10.1</td><td style="text-align: right;">↑</td></tr> <tr><td>14:</td><td>10.7x</td><td style="text-align: right;">↗</td></tr> <tr><td>15:</td><td>10.6x</td><td style="text-align: right;">↘</td></tr> <tr><td>16:</td><td>10.1</td><td style="text-align: right;">↓</td></tr> <tr><td>17:</td><td>10.0</td><td style="text-align: right;">↓</td></tr> <tr><td>18:</td><td>10.4</td><td style="text-align: right;">→</td></tr> <tr><td>19:</td><td>10.3</td><td style="text-align: right;">↓</td></tr> <tr><td>20:</td><td>10.8x</td><td style="text-align: right;">↙</td></tr> <tr><td colspan="2">Serie</td><td style="text-align: right;">100</td></tr> <tr><td colspan="2">Total</td><td style="text-align: right;">199</td></tr> </table>	11:	10.2	↗	12:	10.3	←	13:	10.1	↑	14:	10.7x	↗	15:	10.6x	↘	16:	10.1	↓	17:	10.0	↓	18:	10.4	→	19:	10.3	↓	20:	10.8x	↙	Serie		100	Total		199
11:	10.2	↗																																			
12:	10.3	←																																			
13:	10.1	↑																																			
14:	10.7x	↗																																			
15:	10.6x	↘																																			
16:	10.1	↓																																			
17:	10.0	↓																																			
18:	10.4	→																																			
19:	10.3	↓																																			
20:	10.8x	↙																																			
Serie		100																																			
Total		199																																			



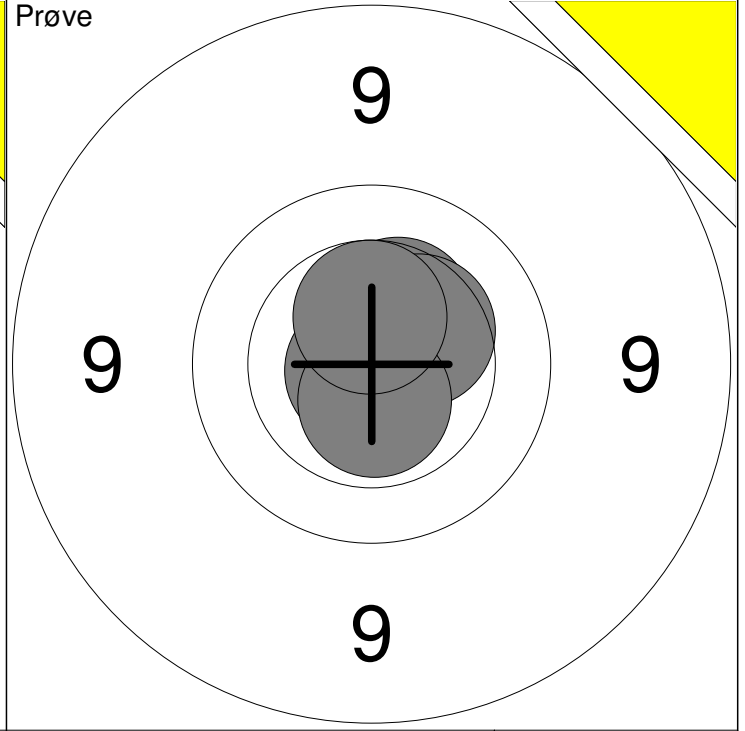
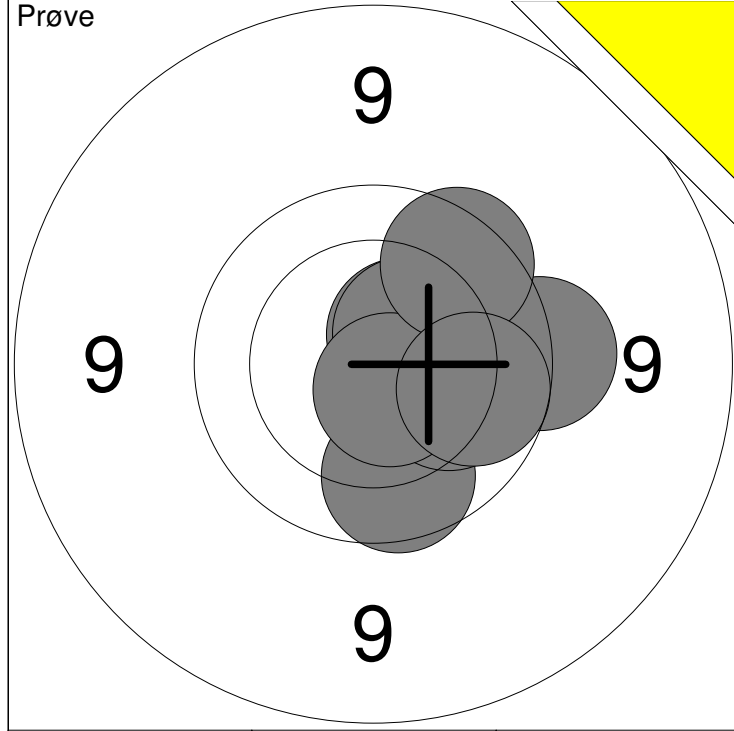
1: 10.6x ↗	6: 10.6x ↘	Serie	100
2: 10.6x →	7: 10.5 ↙		
3: 10.3 ↗	8: 10.4 ↙	Total	0
4: 10.4 →	9: 10.4 ↗		
5: 10.3 ↖	10: 10.1 ↖		

11: 10.5 ↗	Serie	49
12: 9.9 ↖		
13: 10.3 ↘	Total	0
14: 10.3 ↗		
15: 10.6x ↗		



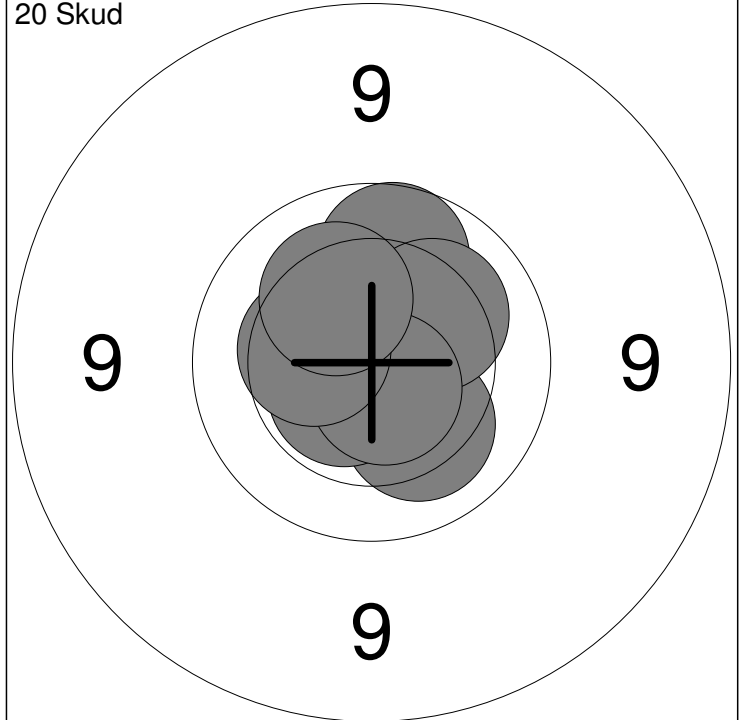
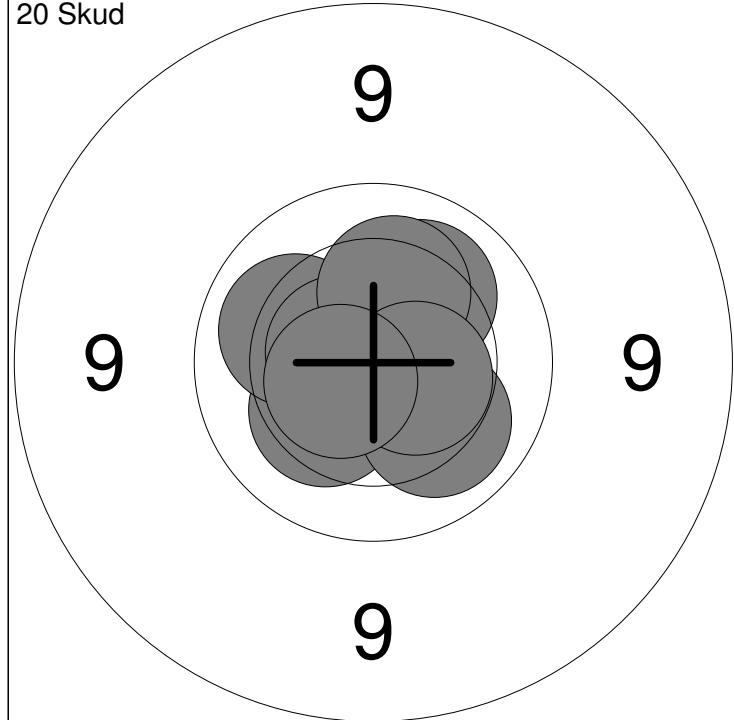
1: 10.6x ↖	6: 10.4 ↖	Serie	100
2: 10.2 ↖	7: 10.5x ↖		
3: 10.2 ↖	8: 10.7x ↘	Total	100
4: 10.8x ↗	9: 10.5 ↘		
5: 10.4 ↗	10: 10.0 ↘		

11: 10.4 ↖	16: 10.5x ↖	Serie	100
12: 10.4 ↘	17: 10.7x →		
13: 10.9x ↖	18: 10.6x ↗	Total	200
14: 10.7x ↗	19: 10.9x ↘		
15: 10.8x ↖	20: 10.5x ↖		



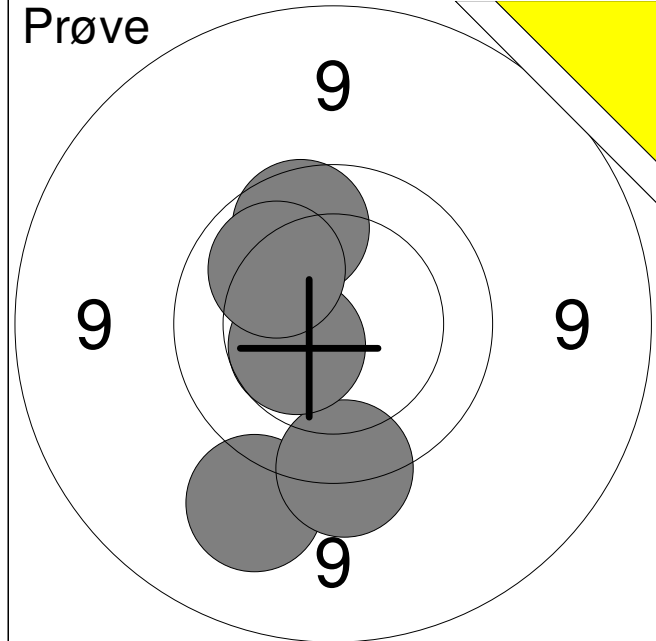
1: 9.6 →	6: 10.2 →	Serie	96
2: 10.6x ↘	7: 10.2 →		
3: 10.5x ↗	8: 10.7x ↘	Total	0
4: 10.5 ↗	9: 9.8 ↗		
5: 9.9 ↓	10: 9.9 →		

11: 10.8x ↙	Serie	50
12: 10.4 ↗		
13: 10.4 ↗	Total	0
14: 10.6x ↓		
15: 10.5 ↑		

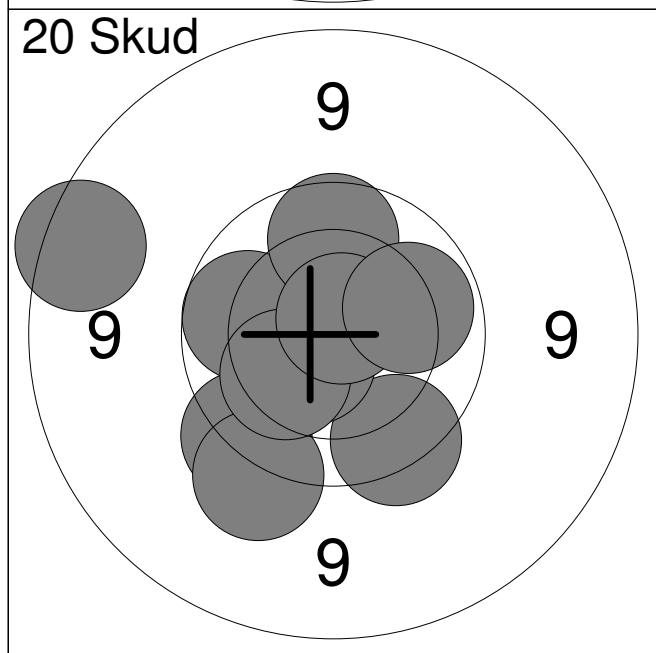


1: 10.5x ↗	6: 10.1 ↙	Serie	100
2: 10.3 ↙	7: 10.6x ↙		
3: 10.2 ↗	8: 10.2 ↗	Total	100
4: 10.1 ↘	9: 10.5x →		
5: 10.9x ↙	10: 10.6x ↙		

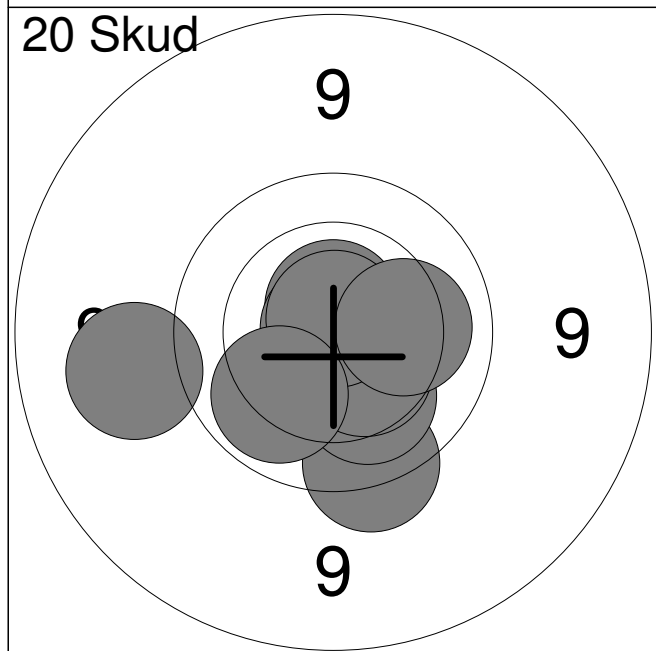
11: 10.7x ↗	16: 10.6x ↙	Serie	99
12: 10.5 ↗	17: 10.2 ↗		
13: 10.3 ↗	18: 10.7x ↘	Total	199
14: 9.9 ↑	19: 10.4 ↙		
15: 10.2 ↘	20: 10.2 ↗		



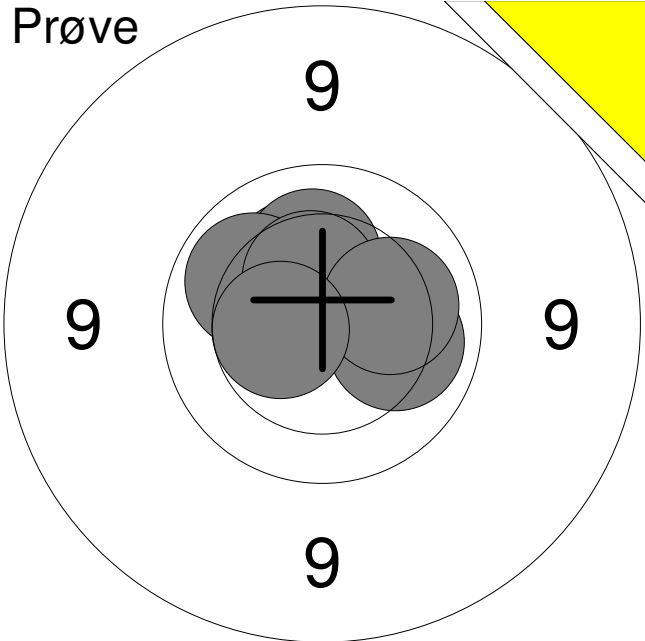
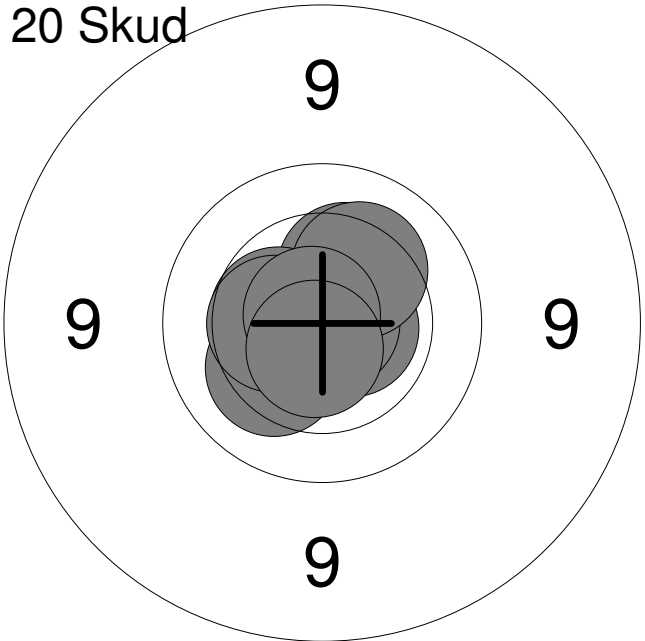
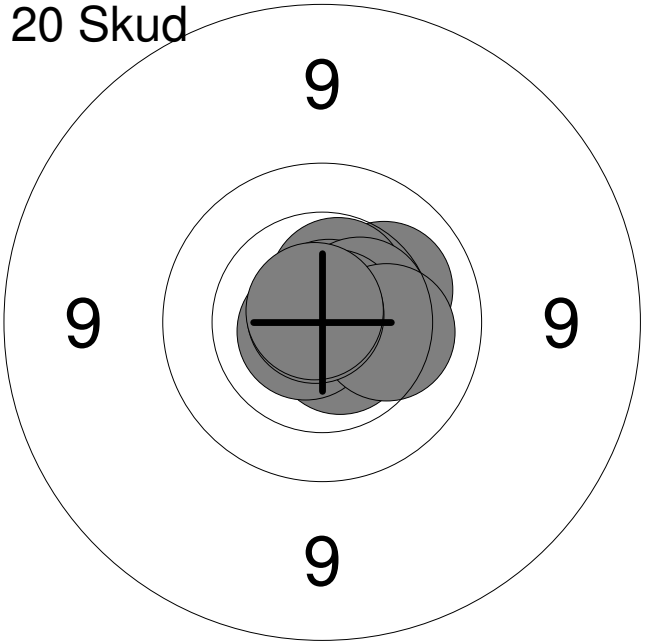
1:	9.3	↓
2:	9.6	↓
3:	10.5	←
4:	9.9	↑
5:	10.1	↗
Serie		47
Total		0

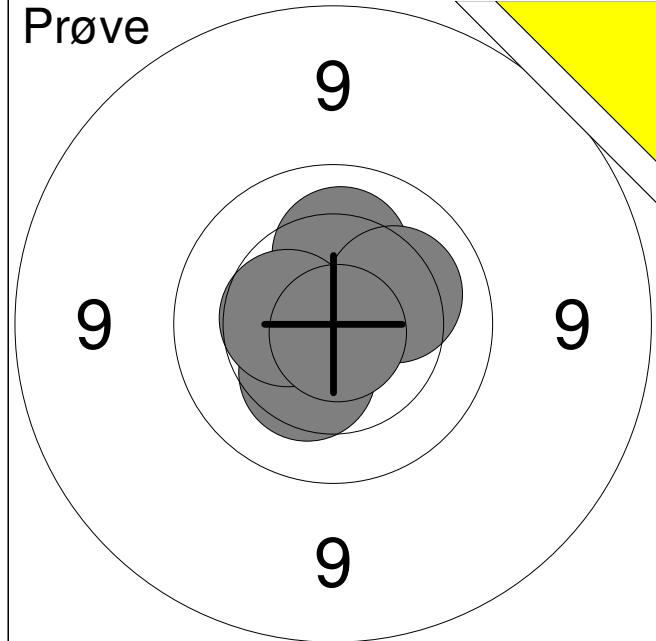


1:	9.7	↓
2:	8.8	←
3:	9.6	↓
4:	10.6x	↓
5:	9.9	←
6:	9.5	↓
7:	10.2	←
8:	9.9	↑
9:	10.7x	↗
10:	10.0	→
Serie		93
Total		93

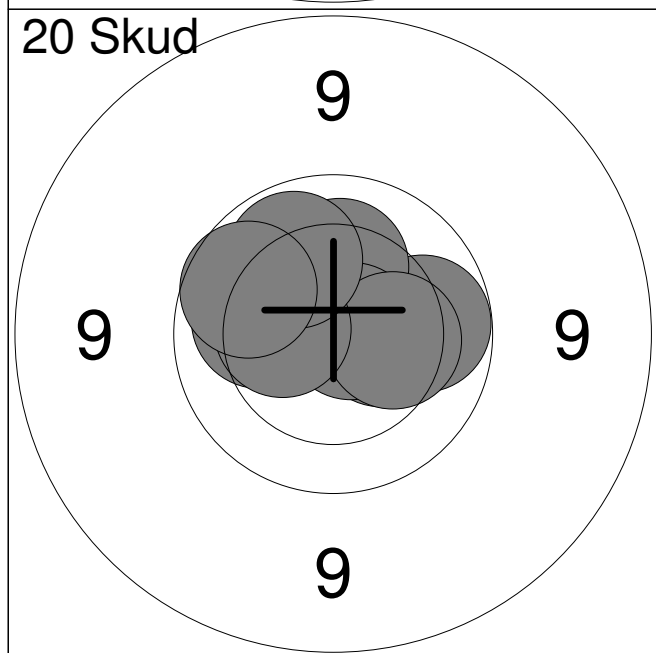


11:	10.9x	↗
12:	9.2	←
13:	9.7	↓
14:	10.7x	↑
15:	10.9x	↗
16:	10.2	↓
17:	10.4	↓
18:	10.8x	↑
19:	10.0	↓
20:	10.2	→
Serie		98
Total		191

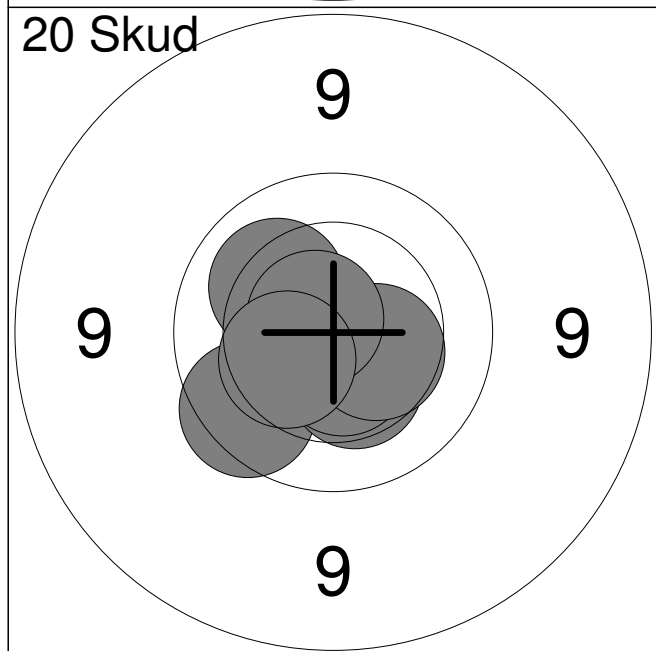
Hold	Skive	Christian Amdi Munk		
64	3	Aalborg	Vester Hassing Skytteforening	MBK4
02.02.2018		Nordjysk mesterskab 2018	Aalborg Skyttekreds	
Prøve		1:	10.5	↑
		2:	10.3	↗
		3:	10.2	↑
		4:	10.1	↖
		5:	10.4	↑
		6:	10.1	→
		7:	10.2	→
		8:	10.5	←
		Serie		80
		Total		0
20 Skud		1:	10.3	↗
		2:	10.6x	→
		3:	10.6x	←
		4:	10.2	↙
		5:	10.9x	→
		6:	10.5	←
		7:	10.4	←
		8:	10.2	↗
		9:	10.8x	↖
		10:	10.7x	↓
		Serie		100
		Total		100
20 Skud		11:	10.2	↗
		12:	10.5x	↗
		13:	10.8x	↗
		14:	10.5x	→
		15:	10.6x	↘
		16:	10.8x	→
		17:	10.7x	←
		18:	10.2	→
		19:	10.8x	↗
		20:	10.8x	↗
		Serie		100
		Total		200



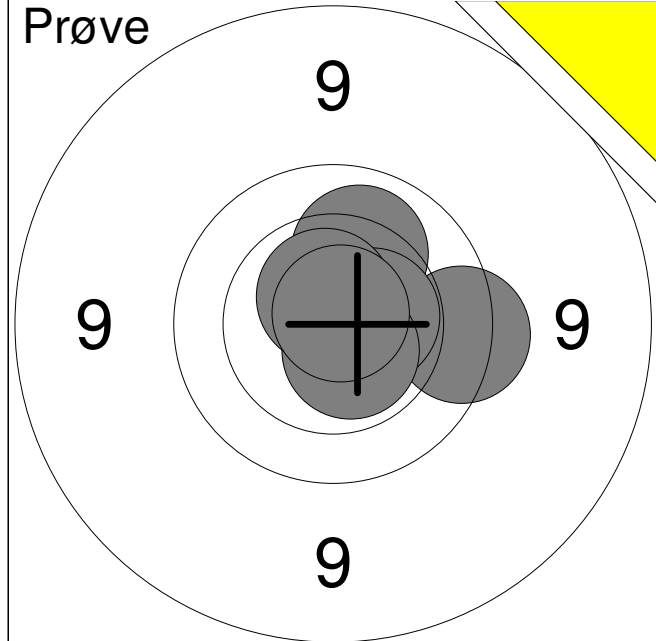
1:	10.5x	↗
2:	10.2	↑
3:	10.3	↘
4:	10.4	←
5:	10.2	↗
6:	10.8x	↘
Serie		60
Total		0



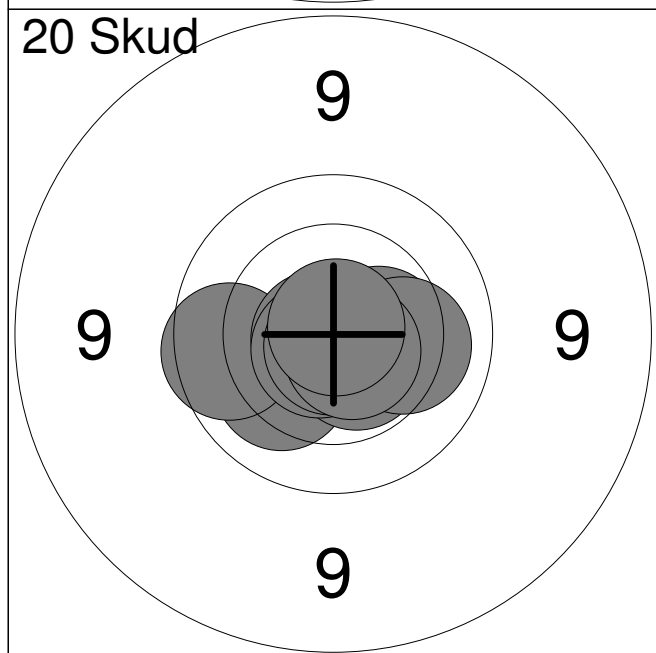
1:	10.5	↑
2:	10.0	→
3:	10.4	→
4:	10.2	↑
5:	10.7x	→
6:	10.1	←
7:	10.3	→
8:	10.4	←
9:	10.0	↗
10:	9.9	↖
Serie		99
Total		99



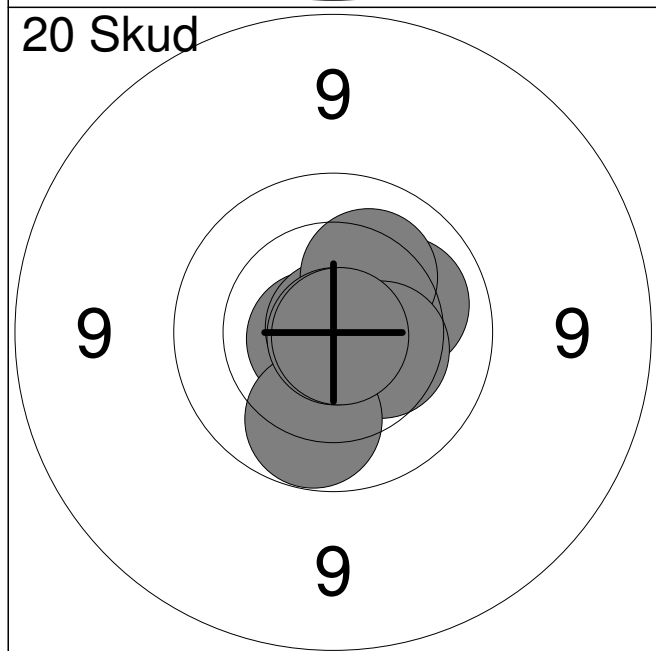
11:	10.8x	↘
12:	9.8	↙
13:	10.6x	↘
14:	10.4	↘
15:	10.7x	←
16:	10.2	↗
17:	10.5x	↘
18:	10.4	↘
19:	10.7x	↗
20:	10.4	↙
Serie		99
Total		198



1:	9.7	→
2:	10.1	↑
3:	10.5x	→
4:	10.6x	↓
5:	10.6x	↑
6:	10.8x	↗
Serie		59
Total		0

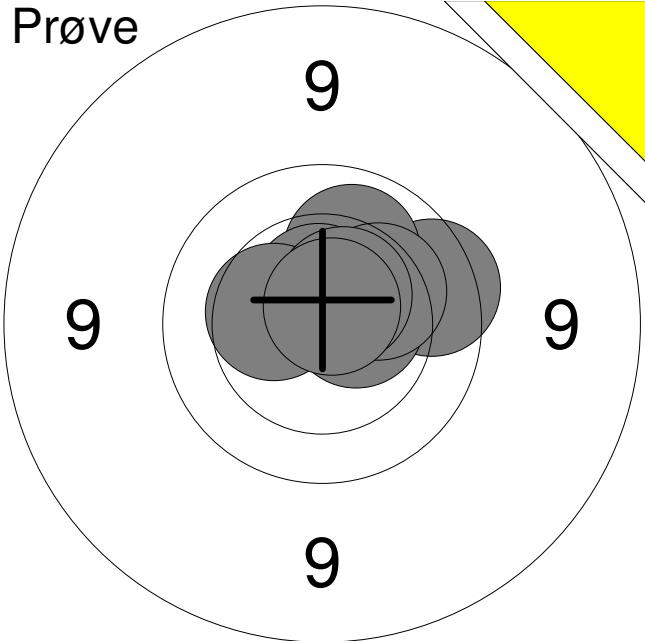


1:	10.2	↙
2:	9.9	←
3:	10.8x	←
4:	10.6x	↘
5:	10.7x	↙
6:	10.4	→
7:	10.8x	↓
8:	10.2	→
9:	10.7x	↘
10:	10.9x	↗
Serie		99
Total		99



11:	10.3	↗
12:	10.8x	←
13:	10.1	→
14:	10.7x	←
15:	10.9x	↑
16:	10.2	↗
17:	10.4	→
18:	10.0	↓
19:	10.9x	↘
20:	10.9x	↘
Serie		100
Total		199

Prøve

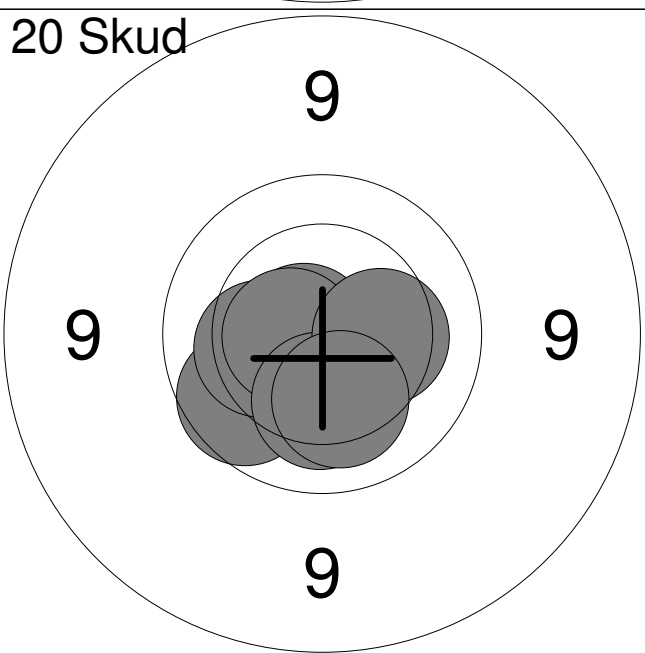


1:	9.8	→
2:	10.6x	↑
3:	10.6x	→
4:	10.1	↑
5:	10.6x	↑
6:	10.4	←
7:	10.2	→
8:	10.6x	↗
9:	10.7x	↗

Serie 89

Total 0

20 Skud

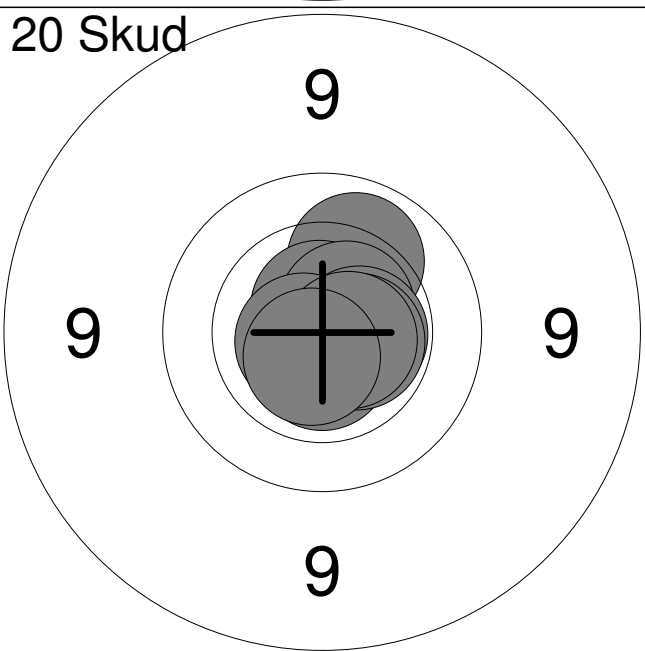


1:	9.9	↙
2:	10.7x	←
3:	10.2	↓
4:	10.5x	↙
5:	10.4	↓
6:	10.3	←
7:	10.6x	←
8:	10.2	↓
9:	10.3	→
10:	10.2	↓

Serie 99

Total 99

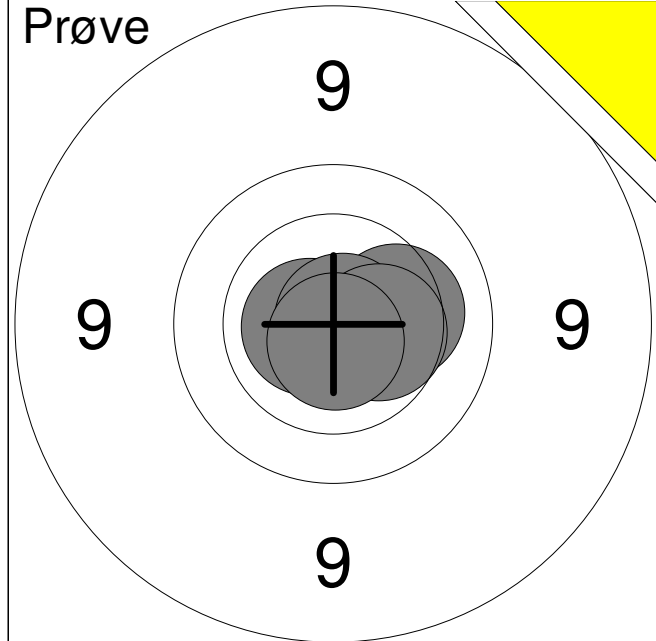
20 Skud



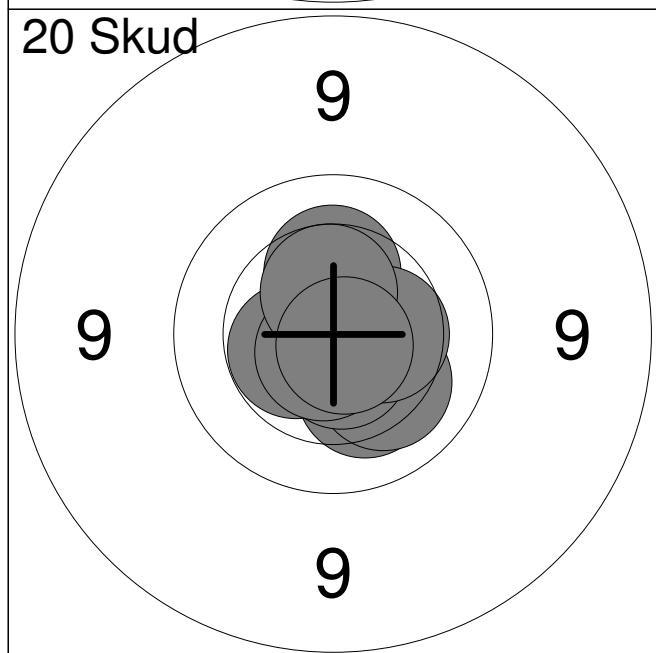
11:	10.6x	↓
12:	10.5	↗
13:	10.1	↗
14:	10.7x	↑
15:	10.6x	↗
16:	10.5x	→
17:	10.7x	←
18:	10.6x	→
19:	10.6x	→
20:	10.7x	↓

Serie 100

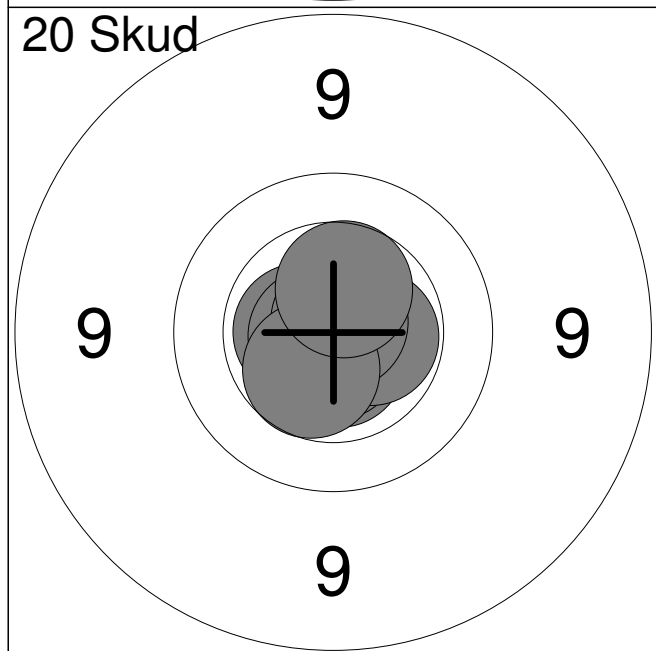
Total 199



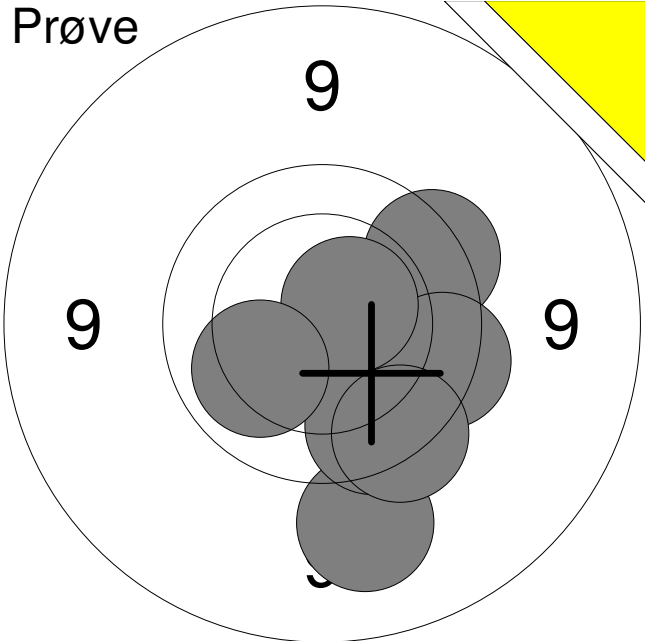
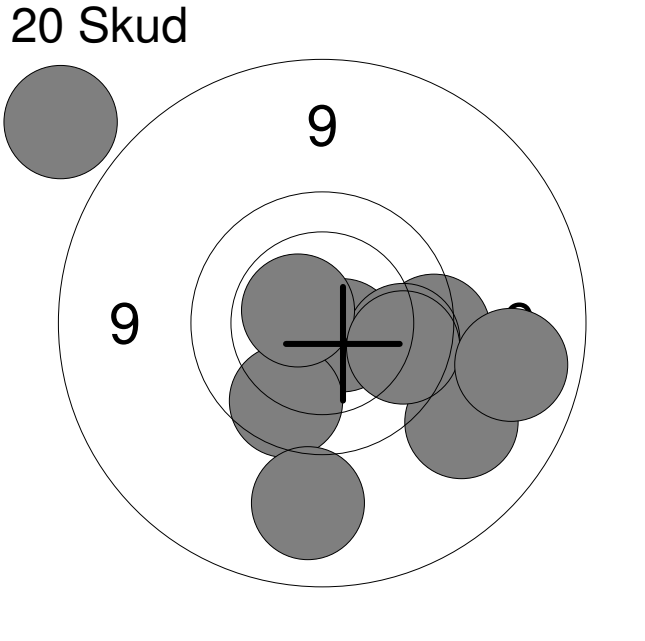
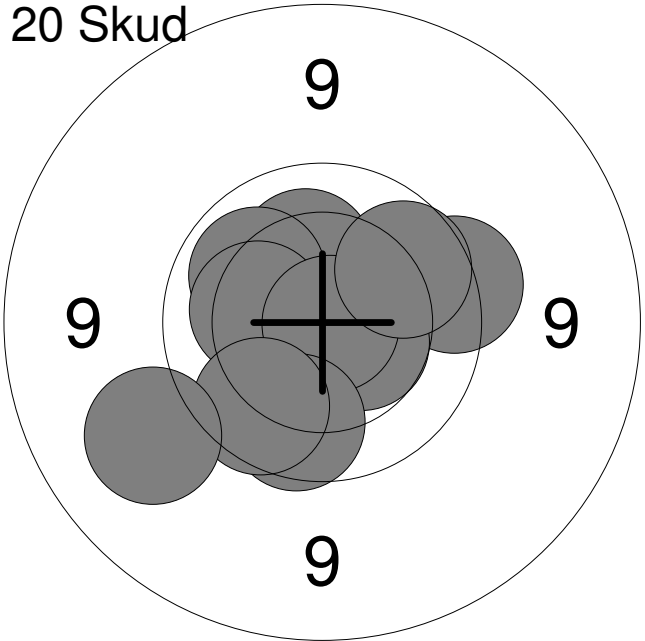
1:	10.2	→
2:	10.7x	←
3:	10.8x	→
4:	10.4	→
5:	10.8x	↓
Serie		50
Total		0

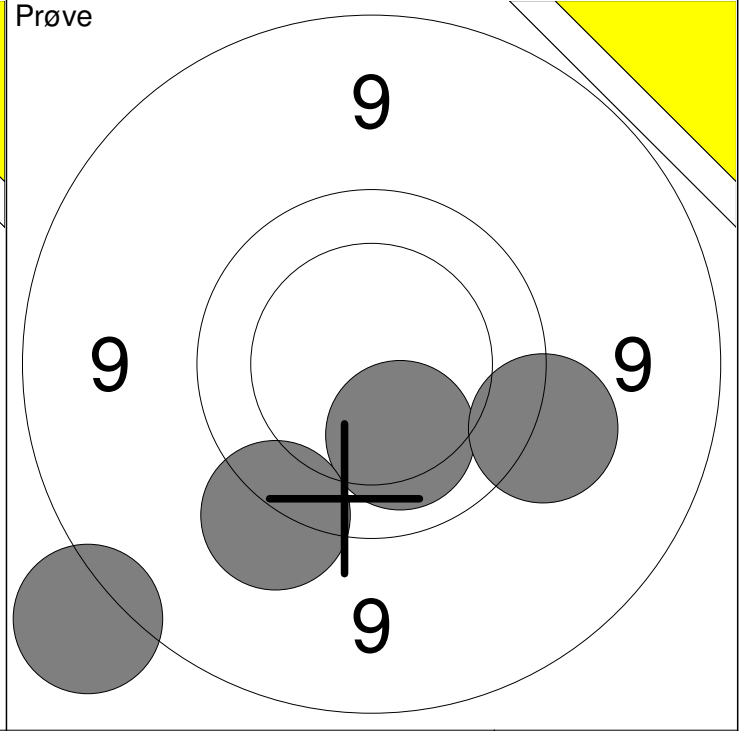
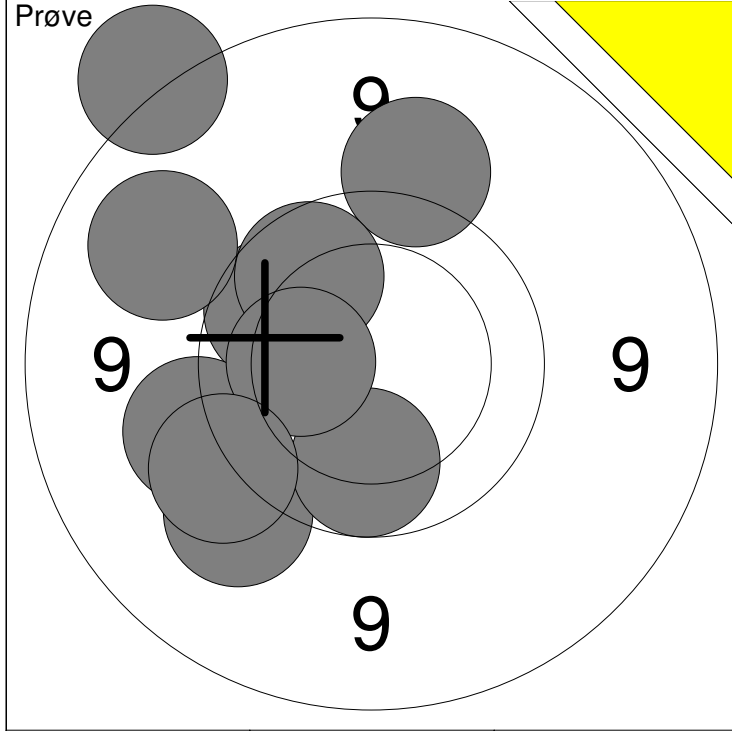


1:	10.2	↓
2:	10.2	↓
3:	10.9x	↓
4:	10.3	↑
5:	10.5x	←
6:	10.6x	↓
7:	10.7x	↓
8:	10.4	→
9:	10.5	↑
10:	10.8x	↓
Serie		100
Total		100



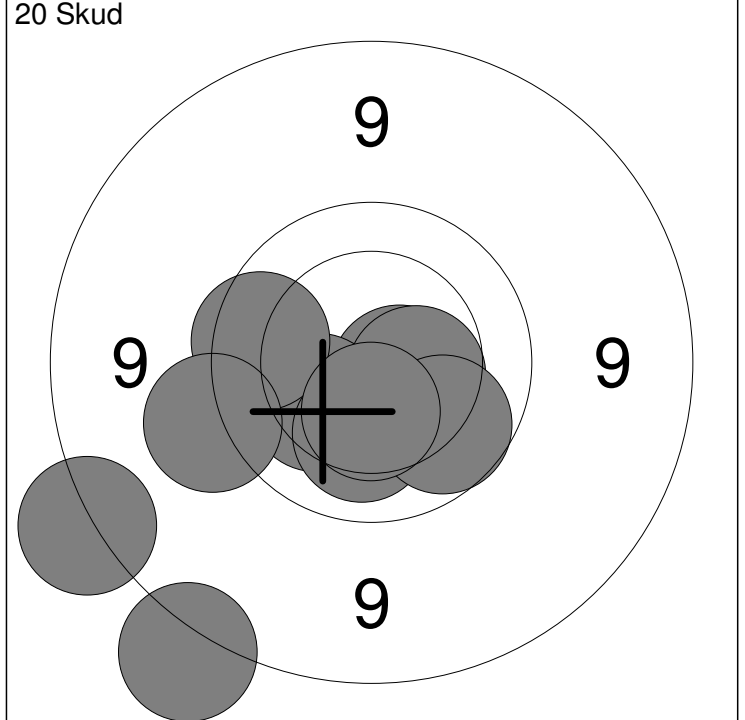
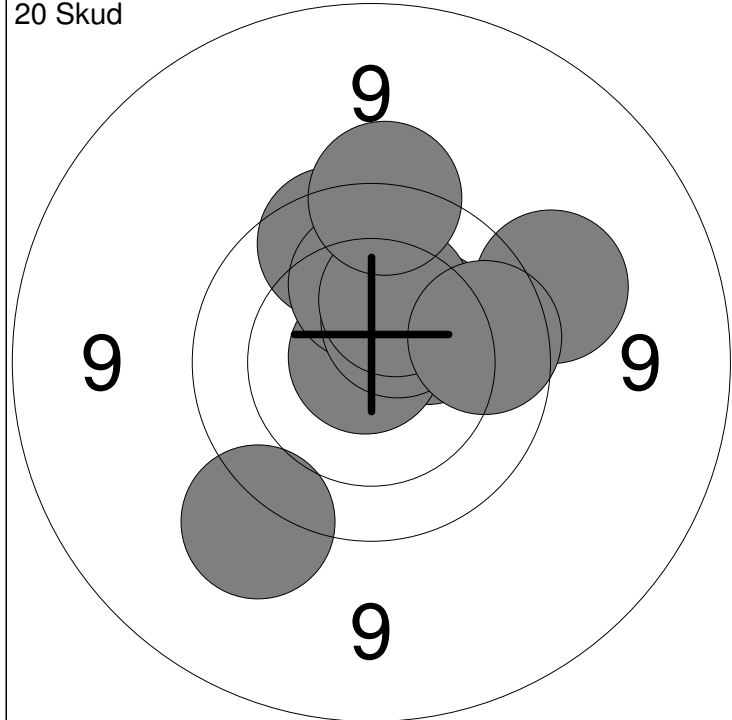
11:	10.6x	←
12:	10.7x	↑
13:	10.7x	↓
14:	10.6x	↑
15:	10.7x	↓
16:	10.5x	→
17:	10.8x	←
18:	10.8x	↑
19:	10.5	↓
20:	10.5	↑
Serie		100
Total		200

Hold 64	Skive 8	Mathias Gade		
Aalborg		Hjørring Skytteforening		BK4
02.02.2018		Nordjysk mesterskab 2018		Aalborg Skyttekreds
Prøve 		1: 9.2 ↓ 2: 9.8 ↓ 3: 9.7 ↗ 4: 9.7 → 5: 9.7 ↓ 6: 10.6x ↗ 7: 10.1 ↙		
		Serie		65
		Total		0
20 Skud 		1: 10.6x ↙ 2: 8.3 ↗ 3: 9.7 → 4: 9.9 → 5: 9.9 ↓ 6: 10.6x ↗ 7: 9.2 ↓ 8: 9.2 ↓ 9: 9.9 → 10: 9.1 →		
		Serie		91
		Total		91
20 Skud 		11: 9.7 → 12: 10.2 ↑ 13: 10.1 ↗ 14: 10.5 ↓ 15: 10.2 ← 16: 10.9x → 17: 9.9 ↗ 18: 9.9 ↓ 19: 9.9 ↓ 20: 9.2 ↙		
		Serie		95
		Total		186



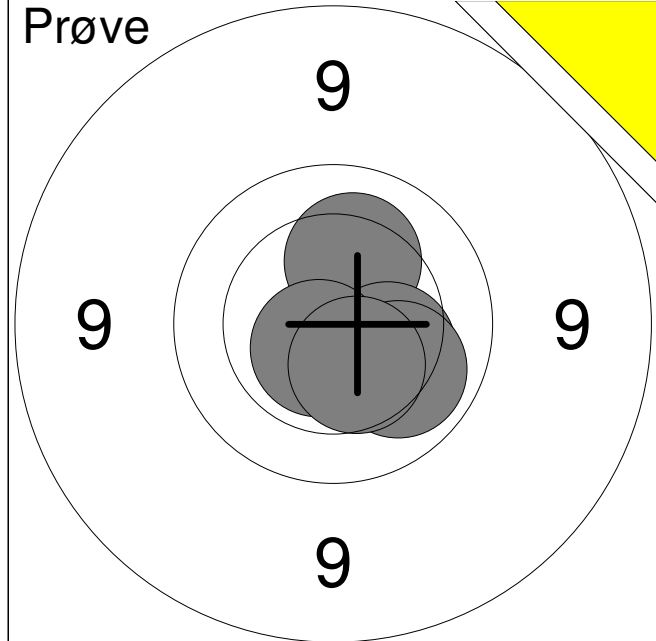
1: 9.9 ↖	6: 9.9 ↗	Serie 91
2: 9.4 ↗	7: 9.4 ↘	
3: 8.6 ↗	8: 10.0 ↓	Total 0
4: 9.4 ↙	9: 10.2 ←	
5: 9.1 ↖	10: 9.5 ↙	

11: 10.2 ↓	Serie 36
12: 8.5 ↘	
13: 9.5 →	Total 0
14: 9.5 ↙	

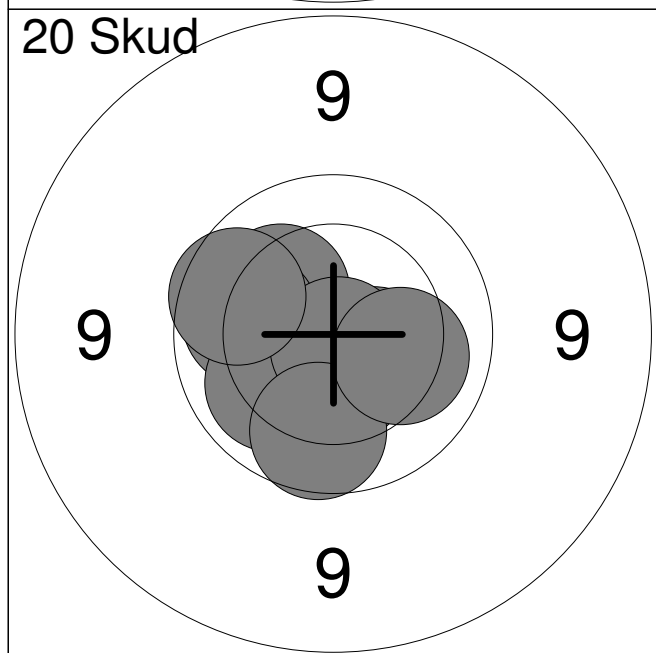


1: 9.4 →	6: 10.5 ↗	Serie 95
2: 9.8 ↗	7: 10.3 ↗	
3: 10.3 ↗	8: 9.9 →	Total 95
4: 10.9x ↖	9: 9.6 ↗	
5: 10.2 ↗	10: 9.4 ↙	

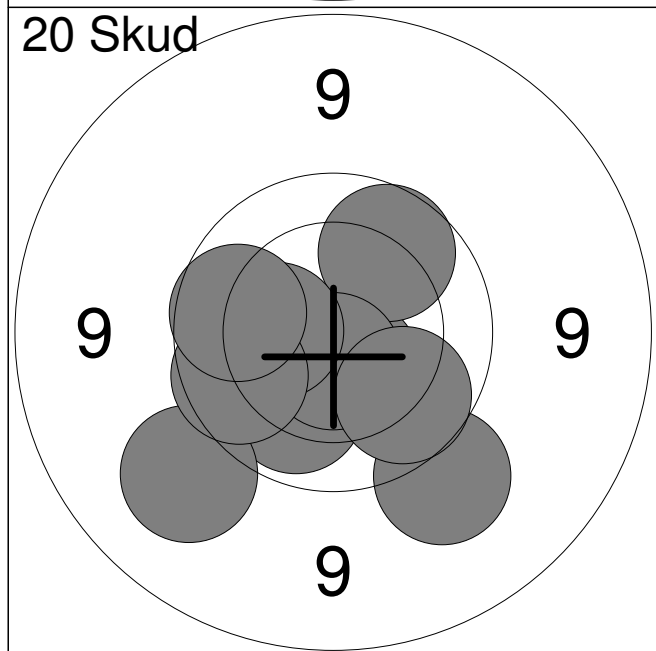
11: 10.6x →	16: 8.6 ↙	Serie 93
12: 10.2 ↘	17: 10.4 →	
13: 8.6 ↙	18: 9.5 ←	Total 188
14: 10.2 ↓	19: 9.9 ↘	
15: 9.8 ←	20: 10.4 ↓	



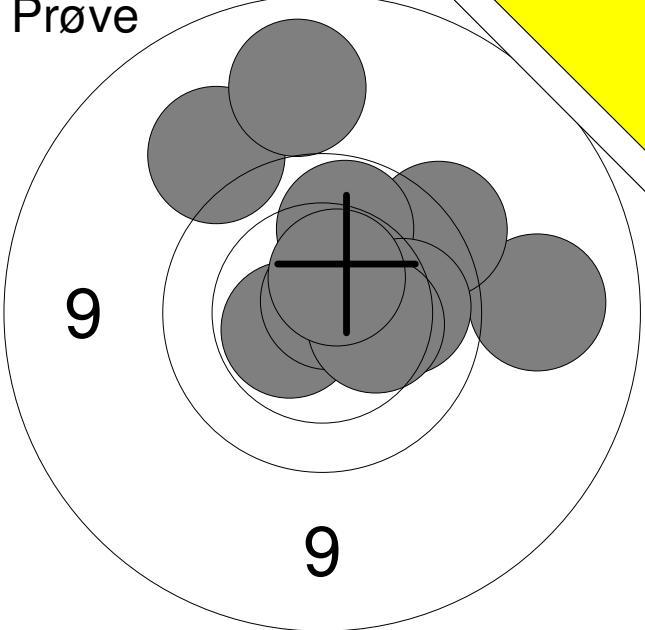
1:	10.2	↗
2:	10.3	↘
3:	10.1	↘
4:	10.6x	↘
5:	10.4	↘
Serie		50
Total		0

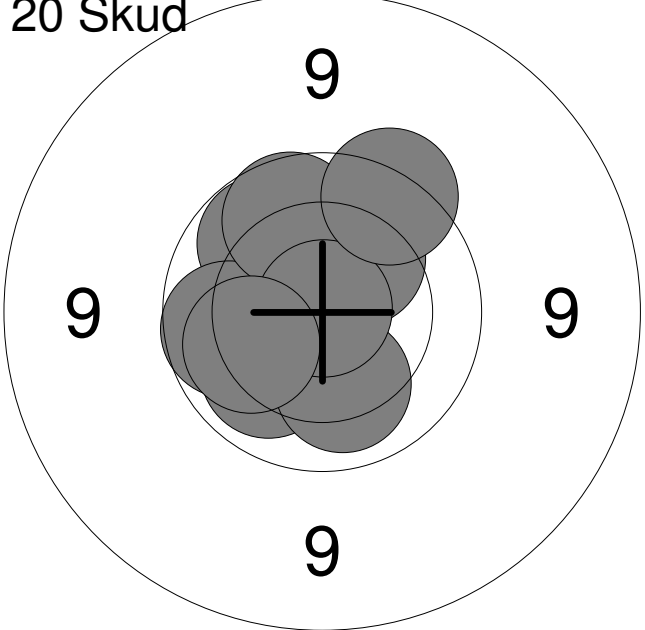


1:	10.2	↗
2:	10.4	↘
3:	10.2	↗
4:	10.5	↘
5:	10.0	←
6:	10.1	↖
7:	10.8x	↘
8:	9.9	↘
9:	10.2	↘
10:	9.9	←
Serie		98
Total		98

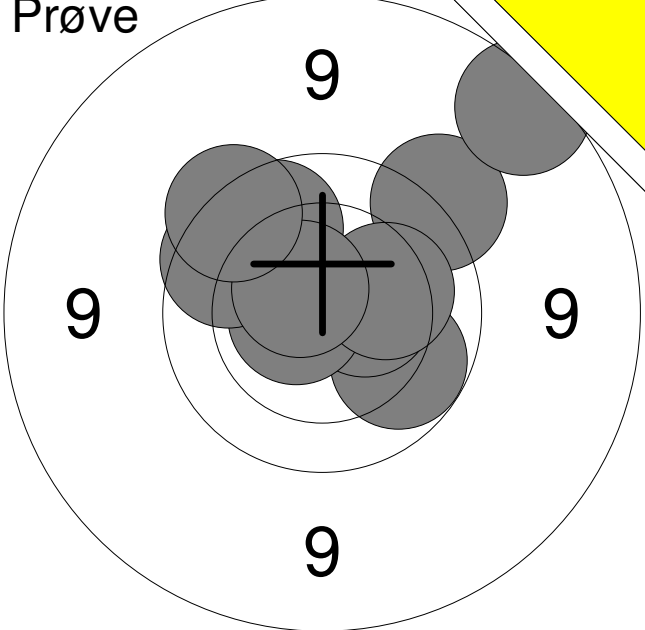


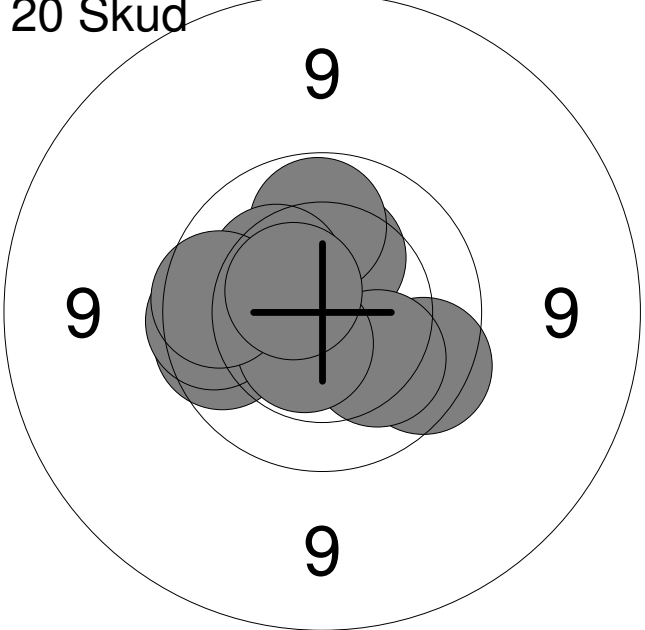
11:	10.5x	↘
12:	9.9	↗
13:	10.1	↘
14:	10.6x	↘
15:	9.4	↘
16:	9.2	↖
17:	10.3	←
18:	9.9	←
19:	9.9	↘
20:	9.9	←
Serie		94
Total		192

<p>Prøve</p> 	<table style="width:100%; border-collapse: collapse;"> <tr><td style="width:5%;">1:</td><td style="width:15%;">9.2</td><td style="width:10%; text-align: right;">→</td></tr> <tr><td>2:</td><td>9.6</td><td style="text-align: right;">↗</td></tr> <tr><td>3:</td><td>10.0</td><td style="text-align: right;">↑</td></tr> <tr><td>4:</td><td>10.1</td><td style="text-align: right;">→</td></tr> <tr><td>5:</td><td>10.5x</td><td style="text-align: right;">←</td></tr> <tr><td>6:</td><td>9.3</td><td style="text-align: right;">↖</td></tr> <tr><td>7:</td><td>10.8x</td><td style="text-align: right;">↗</td></tr> <tr><td>8:</td><td>9.1</td><td style="text-align: right;">↑</td></tr> <tr><td>9:</td><td>10.3</td><td style="text-align: right;">→</td></tr> <tr><td>10:</td><td>10.5x</td><td style="text-align: right;">↑</td></tr> <tr><td colspan="2">Serie</td><td style="text-align: right;">96</td></tr> <tr><td colspan="2">Total</td><td style="text-align: right;">0</td></tr> </table>	1:	9.2	→	2:	9.6	↗	3:	10.0	↑	4:	10.1	→	5:	10.5x	←	6:	9.3	↖	7:	10.8x	↗	8:	9.1	↑	9:	10.3	→	10:	10.5x	↑	Serie		96	Total		0
1:	9.2	→																																			
2:	9.6	↗																																			
3:	10.0	↑																																			
4:	10.1	→																																			
5:	10.5x	←																																			
6:	9.3	↖																																			
7:	10.8x	↗																																			
8:	9.1	↑																																			
9:	10.3	→																																			
10:	10.5x	↑																																			
Serie		96																																			
Total		0																																			

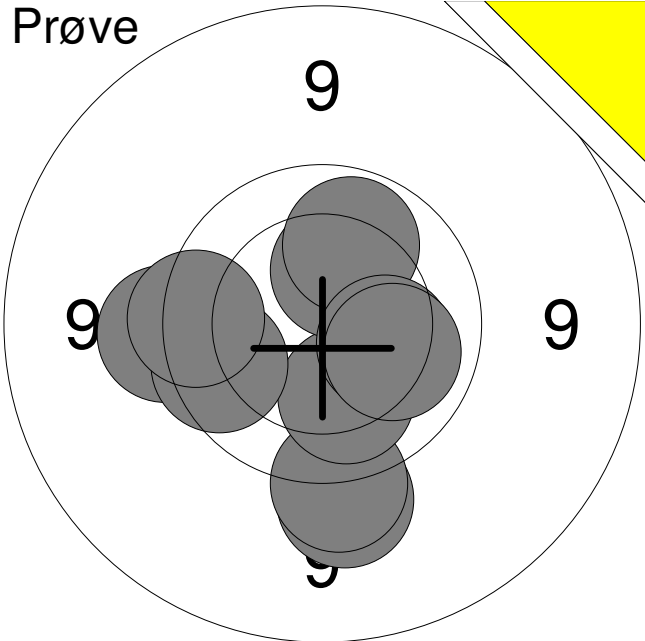
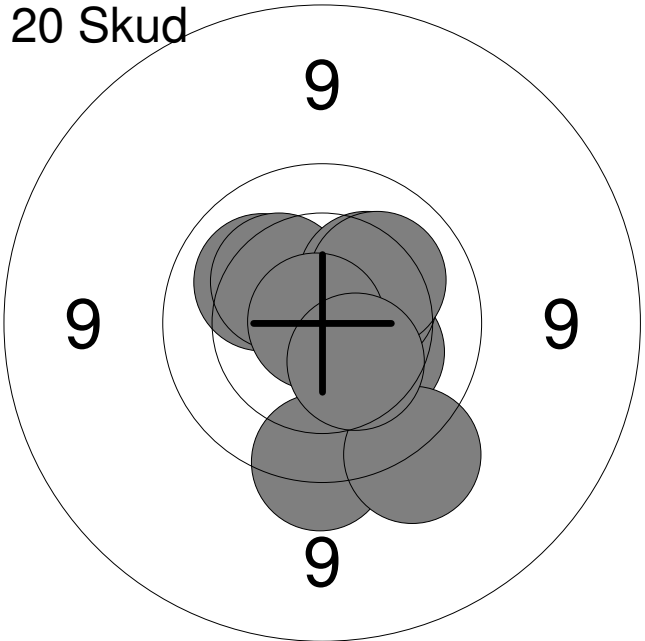
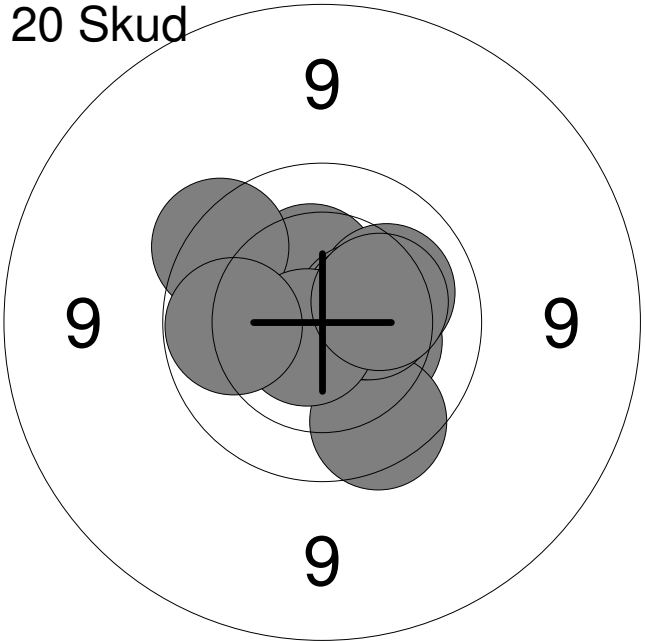
<p>20 Skud</p> 	<table style="width:100%; border-collapse: collapse;"> <tr><td style="width:5%;">1:</td><td style="width:15%;">10.1</td><td style="width:10%; text-align: right;">↙</td></tr> <tr><td>2:</td><td>10.2</td><td style="text-align: right;">↗</td></tr> <tr><td>3:</td><td>10.4</td><td style="text-align: right;">↖</td></tr> <tr><td>4:</td><td>10.0</td><td style="text-align: right;">↗</td></tr> <tr><td>5:</td><td>10.1</td><td style="text-align: right;">↘</td></tr> <tr><td>6:</td><td>9.9</td><td style="text-align: right;">←</td></tr> <tr><td>7:</td><td>9.9</td><td style="text-align: right;">↖</td></tr> <tr><td>8:</td><td>10.9x</td><td style="text-align: right;">↗</td></tr> <tr><td>9:</td><td>9.7</td><td style="text-align: right;">↗</td></tr> <tr><td>10:</td><td>10.1</td><td style="text-align: right;">←</td></tr> <tr><td colspan="2">Serie</td><td style="text-align: right;">97</td></tr> <tr><td colspan="2">Total</td><td style="text-align: right;">97</td></tr> </table>	1:	10.1	↙	2:	10.2	↗	3:	10.4	↖	4:	10.0	↗	5:	10.1	↘	6:	9.9	←	7:	9.9	↖	8:	10.9x	↗	9:	9.7	↗	10:	10.1	←	Serie		97	Total		97
1:	10.1	↙																																			
2:	10.2	↗																																			
3:	10.4	↖																																			
4:	10.0	↗																																			
5:	10.1	↘																																			
6:	9.9	←																																			
7:	9.9	↖																																			
8:	10.9x	↗																																			
9:	9.7	↗																																			
10:	10.1	←																																			
Serie		97																																			
Total		97																																			

<p>20 Skud</p> 	<table style="width:100%; border-collapse: collapse;"> <tr><td style="width:5%;">11:</td><td style="width:15%;">10.1</td><td style="width:10%; text-align: right;">↖</td></tr> <tr><td>12:</td><td>9.9</td><td style="text-align: right;">↗</td></tr> <tr><td>13:</td><td>10.0</td><td style="text-align: right;">↗</td></tr> <tr><td>14:</td><td>9.7</td><td style="text-align: right;">↖</td></tr> <tr><td>15:</td><td>9.9</td><td style="text-align: right;">↑</td></tr> <tr><td>16:</td><td>9.6</td><td style="text-align: right;">↖</td></tr> <tr><td>17:</td><td>10.2</td><td style="text-align: right;">↑</td></tr> <tr><td>18:</td><td>9.5</td><td style="text-align: right;">→</td></tr> <tr><td>19:</td><td>10.1</td><td style="text-align: right;">↙</td></tr> <tr><td>20:</td><td>9.8</td><td style="text-align: right;">→</td></tr> <tr><td colspan="2">Serie</td><td style="text-align: right;">94</td></tr> <tr><td colspan="2">Total</td><td style="text-align: right;">191</td></tr> </table>	11:	10.1	↖	12:	9.9	↗	13:	10.0	↗	14:	9.7	↖	15:	9.9	↑	16:	9.6	↖	17:	10.2	↑	18:	9.5	→	19:	10.1	↙	20:	9.8	→	Serie		94	Total		191
11:	10.1	↖																																			
12:	9.9	↗																																			
13:	10.0	↗																																			
14:	9.7	↖																																			
15:	9.9	↑																																			
16:	9.6	↖																																			
17:	10.2	↑																																			
18:	9.5	→																																			
19:	10.1	↙																																			
20:	9.8	→																																			
Serie		94																																			
Total		191																																			

Prøve 	1:	10.0	↘
	2:	9.5	↗
	3:	8.8	↗
	4:	10.5	→
	5:	10.7x	←
	6:	10.2	→
	7:	9.8	↗
	8:	9.9	↗
	9:	10.6x	↗
	10:	9.7	↗
	Serie		94
Total		0	

20 Skud 	1:	10.3	↑
	2:	10.0	↑
	3:	9.9	←
	4:	9.8	←
	5:	9.8	↘
	6:	10.3	↗
	7:	10.2	↘
	8:	10.6x	↘
	9:	9.9	←
	10:	10.6x	↗
	Serie		96
Total		96	

20 Skud 	11:	10.8x	↗
	12:	10.5x	↘
	13:	10.5	↘
	14:	9.8	←
	15:	10.5x	↑
	16:	10.5x	↘
	17:	10.9x	↗
	18:	10.0	↗
	19:	10.6x	↘
	20:	10.4	↗
	Serie		99
Total		195	

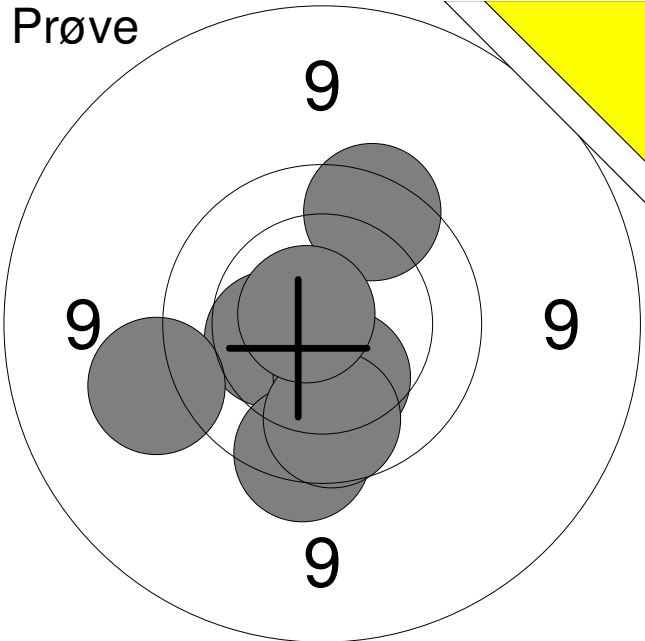
Hold	Skive	Morten Christian Pedersen		
65	3	Aalborg	Hjørring Skytteforening	J2
02.02.2018	Nordjysk mesterskab 2018	Aalborg Skyttekreds		
Prøve		1:	9.4	↓
		2:	9.5	↓
		3:	9.5	←
		4:	10.1	↓
		5:	10.3	↑
		6:	9.8	←
		7:	9.7	←
		8:	10.0	↑
		9:	10.2	→
		10:	10.1	→
		Serie		95
		Total		0
20 Skud		1:	10.3	→
		2:	10.2	↗
		3:	9.6	↓
		4:	9.5	↓
		5:	10.3	↗
		6:	10.3	↗
		7:	10.4	↗
		8:	10.2	↗
		9:	10.9x	←
		10:	10.4	↓
		Serie		98
		Total		98
20 Skud		11:	10.4	↑
		12:	10.3	→
		13:	9.8	↓
		14:	10.2	↗
		15:	10.5	→
		16:	9.7	↗
		17:	10.4	→
		18:	10.7x	↓
		19:	10.0	←
		20:	10.3	→
		Serie		98
		Total		196

Hold 65	Skive 4	
-------------------	-------------------	--

Aalborg

02.02.2018 Nordjysk mesterskab 2018 Aalborg Skyttekreds

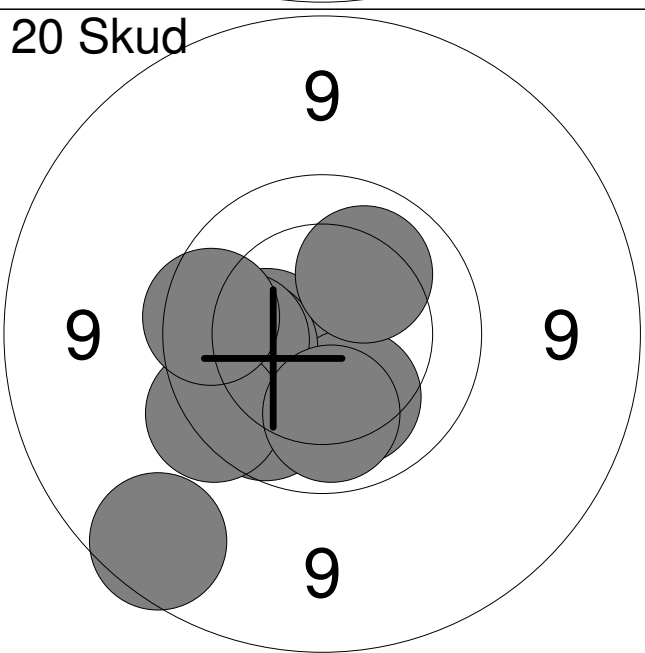
Prøve



1:	10.4	←
2:	9.7	↓
3:	9.4	←
4:	10.3	↓
5:	9.9	↓
6:	9.8	↗
7:	10.7x	↖

Serie	66
Total	0

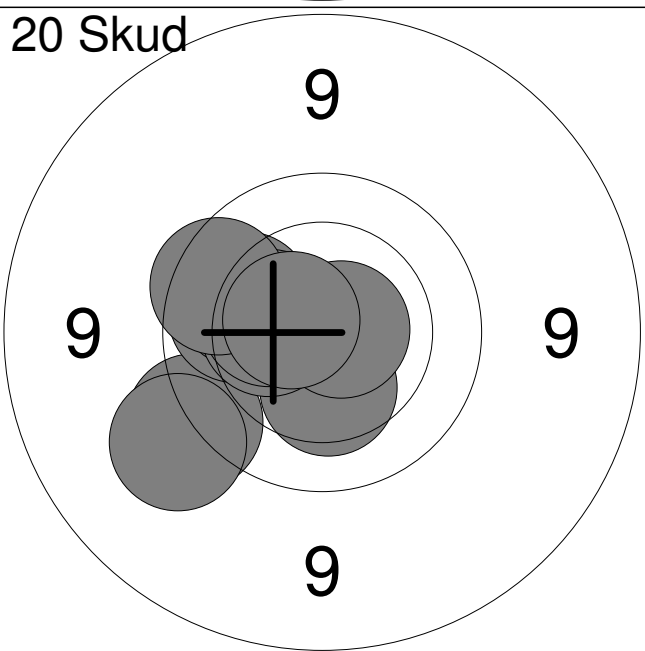
20 Skud



1:	10.3	←
2:	9.9	↘
3:	10.2	↘
4:	10.1	←
5:	10.1	←
6:	10.1	↗
7:	9.7	←
8:	9.8	←
9:	8.9	↘
10:	10.1	↓

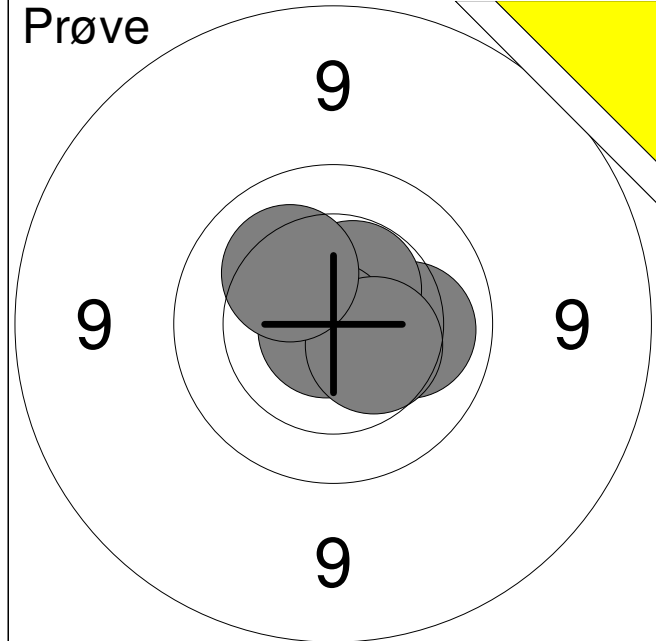
Serie	95
Total	95

20 Skud

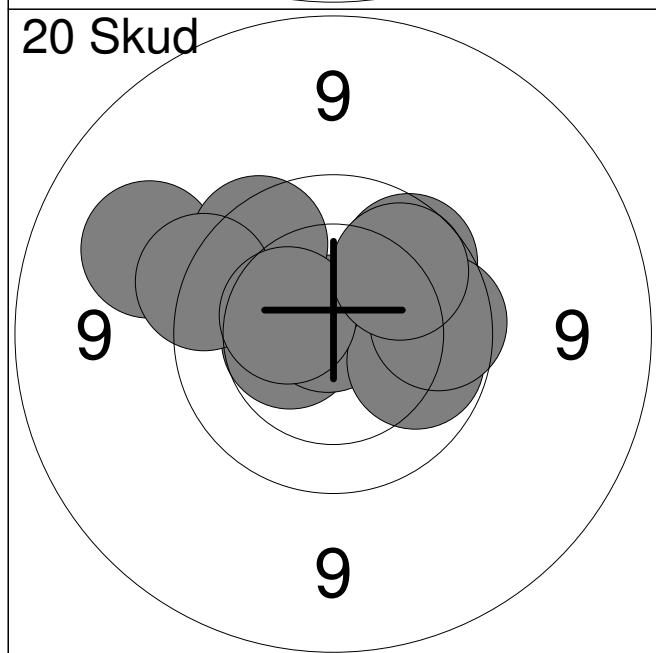


11:	9.5	↘
12:	10.0	←
13:	9.4	↘
14:	10.3	↓
15:	10.0	←
16:	10.4	←
17:	10.7x	→
18:	10.3	←
19:	9.8	↖
20:	10.6x	↖

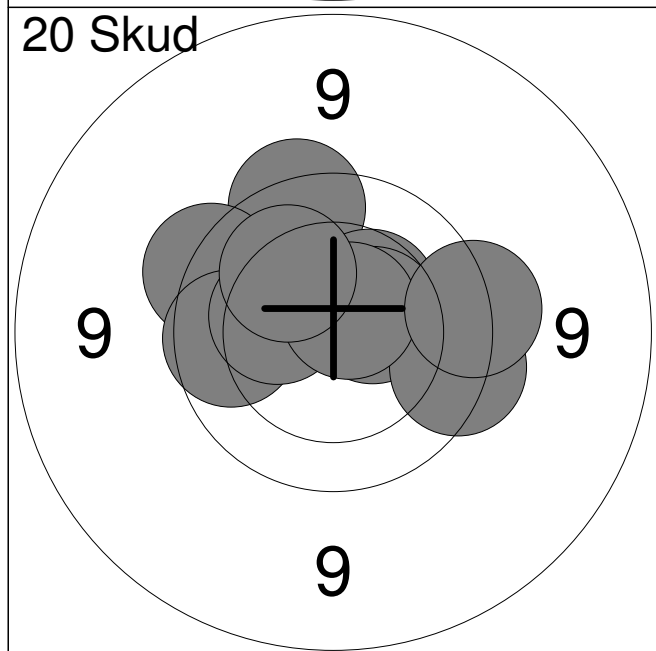
Serie	97
Total	192



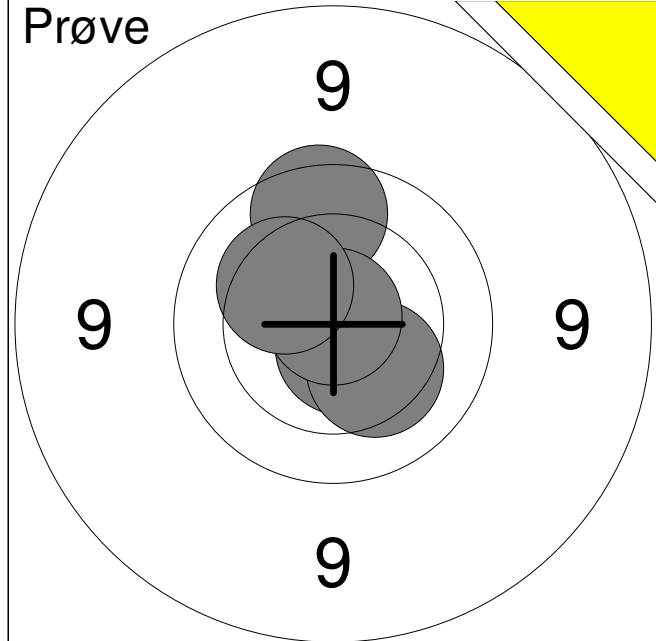
1:	10.1	→
2:	10.5x	↗
3:	10.9x	↖
4:	10.4	→
5:	10.2	↗
Serie		50
Total		0



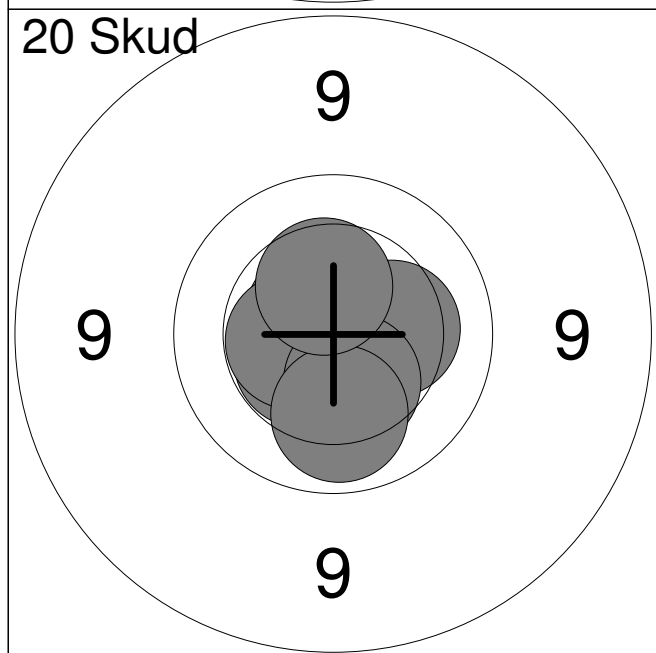
1:	10.5	←
2:	10.8x	↗
3:	10.0	→
4:	9.2	↖
5:	9.8	↗
6:	9.6	↖
7:	9.9	↗
8:	10.4	←
9:	9.9	→
10:	9.9	↗
Serie		94
Total		94



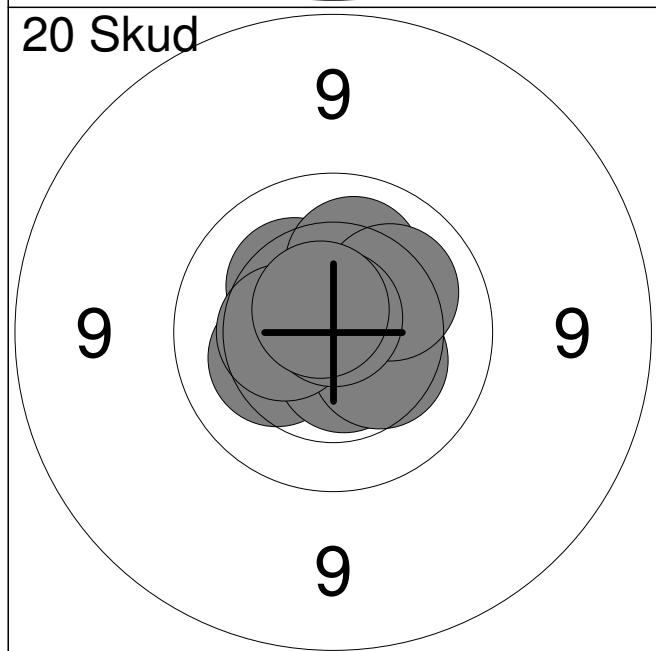
11:	9.7	↗
12:	10.4	↗
13:	10.5	→
14:	9.7	↖
15:	9.7	→
16:	9.9	←
17:	10.3	←
18:	10.7x	↗
19:	9.6	→
20:	10.1	↗
Serie		95
Total		189



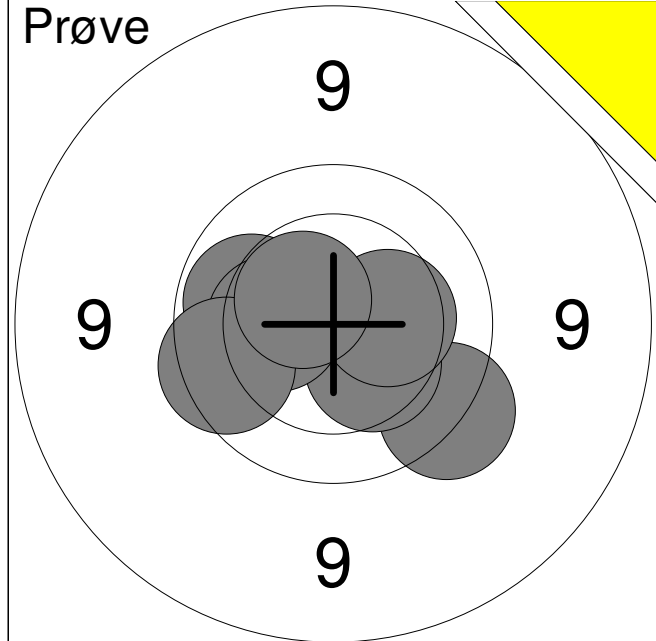
1:	9.8	↑
2:	10.7x	↓
3:	10.3	↘
4:	10.9x	↑
5:	10.3	↗
Serie		49
Total		0



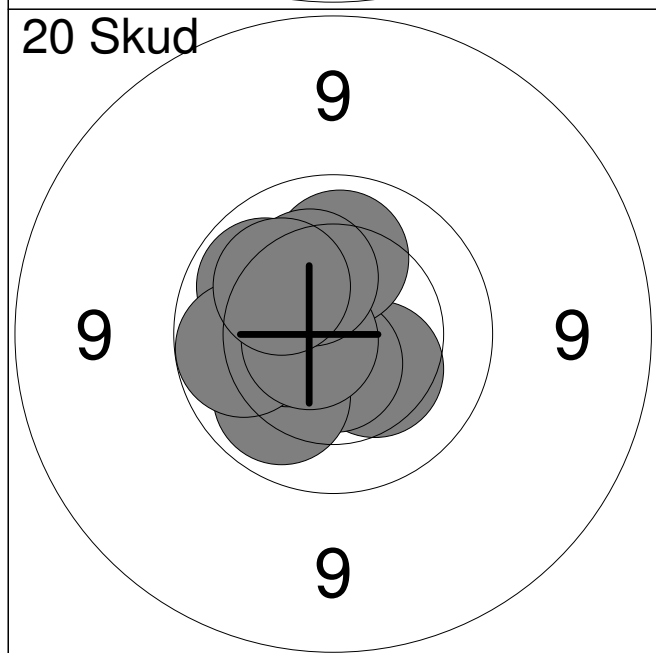
1:	10.7x	↗
2:	10.8x	↑
3:	10.8x	→
4:	10.5x	↙
5:	10.7x	↗
6:	10.3	→
7:	10.5x	←
8:	10.4	↓
9:	10.1	↓
10:	10.4	↑
Serie		100
Total		100



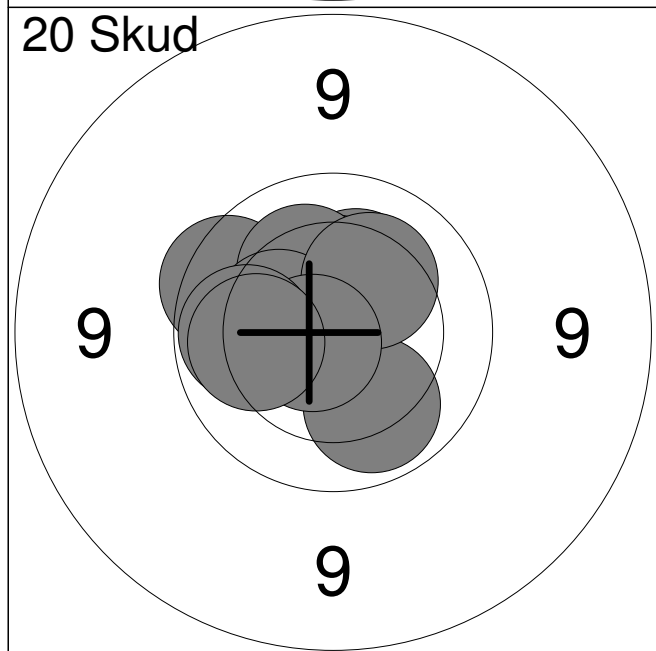
11:	10.5x	←
12:	10.3	↗
13:	10.3	↙
14:	10.6x	↓
15:	10.2	↑
16:	10.4	↘
17:	10.2	↗
18:	10.4	←
19:	10.8x	↑
20:	10.7x	↗
Serie		100
Total		200



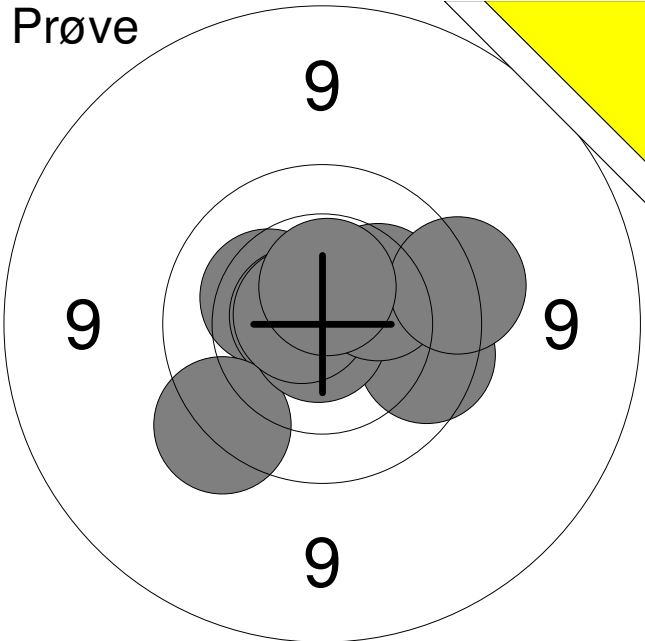
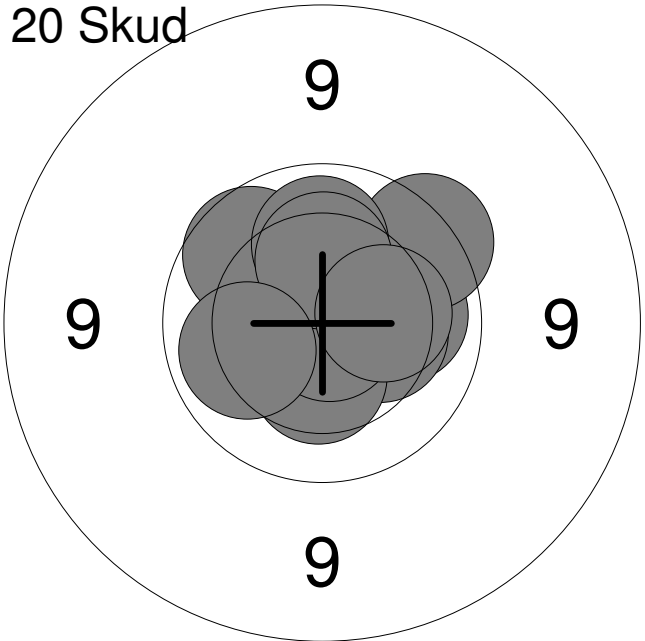
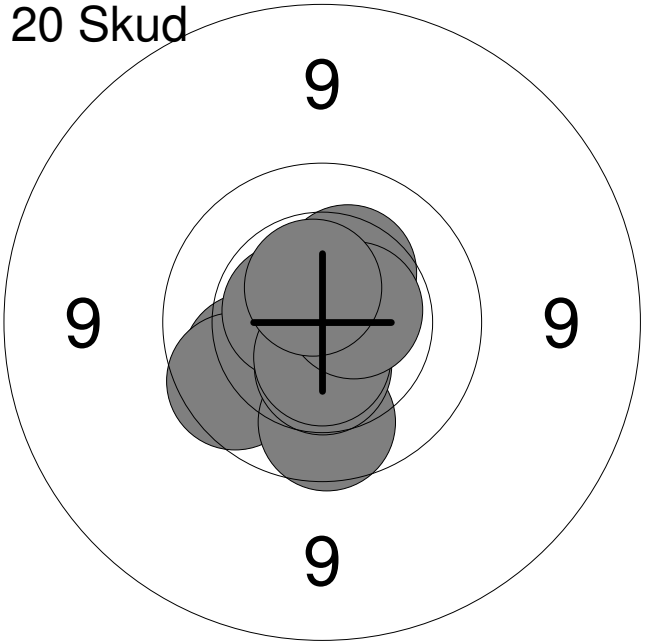
1:	9.6	↘
2:	10.3	↘
3:	10.3	→
4:	10.0	←
5:	10.3	←
6:	9.8	←
7:	10.5x	↗
Serie		68
Total		0

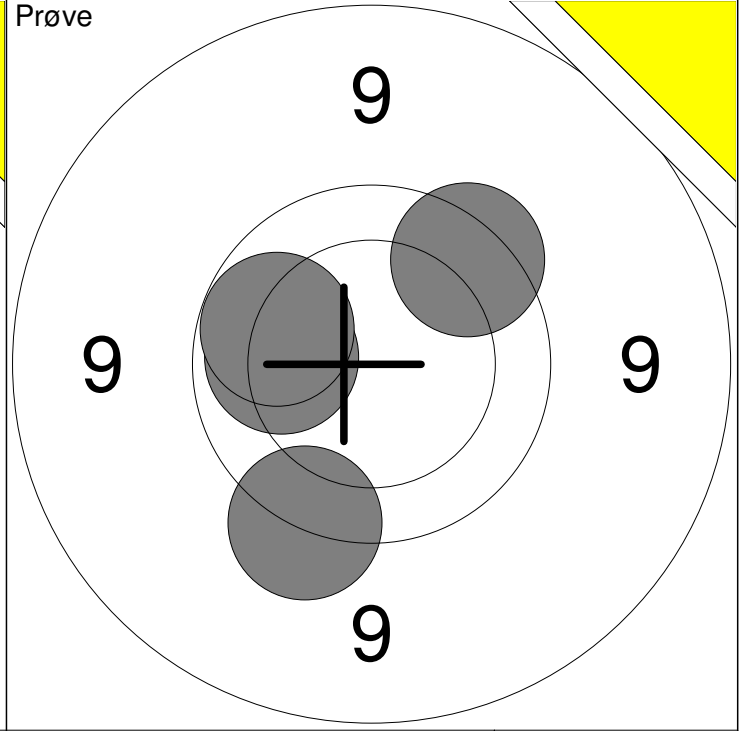
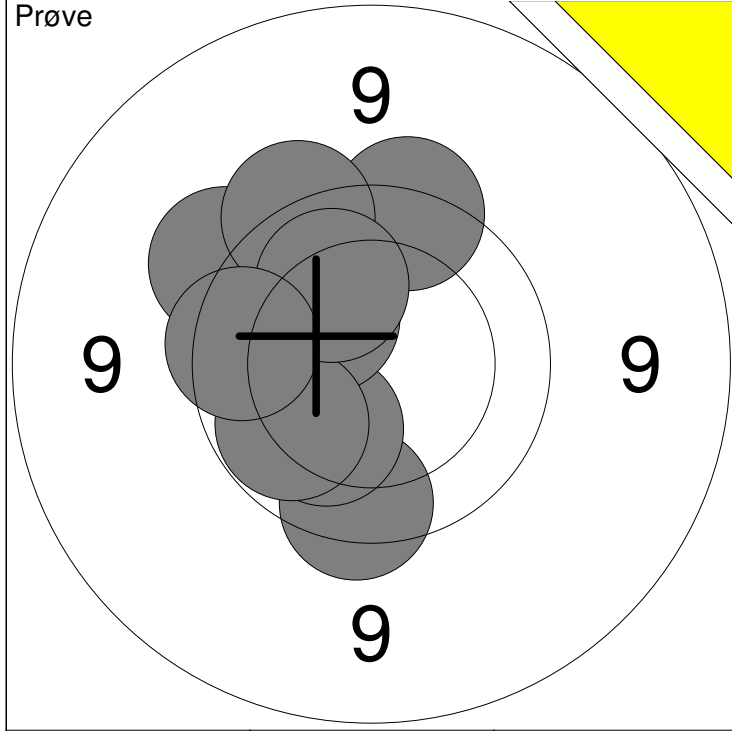


1:	10.0	↗
2:	10.4	↘
3:	10.6x	↓
4:	10.1	↘
5:	10.5	←
6:	10.1	↑
7:	10.0	←
8:	10.7x	←
9:	10.3	↗
10:	10.2	↗
Serie		100
Total		100



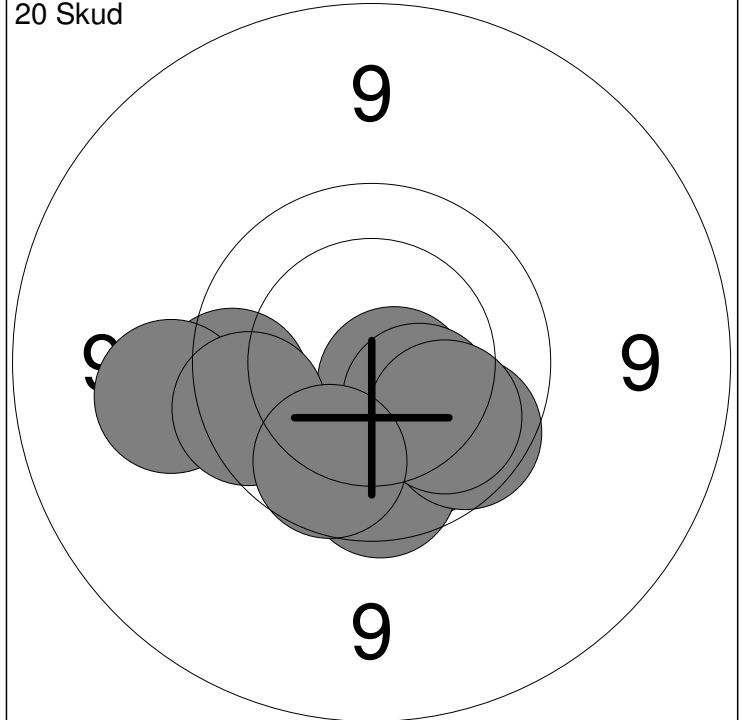
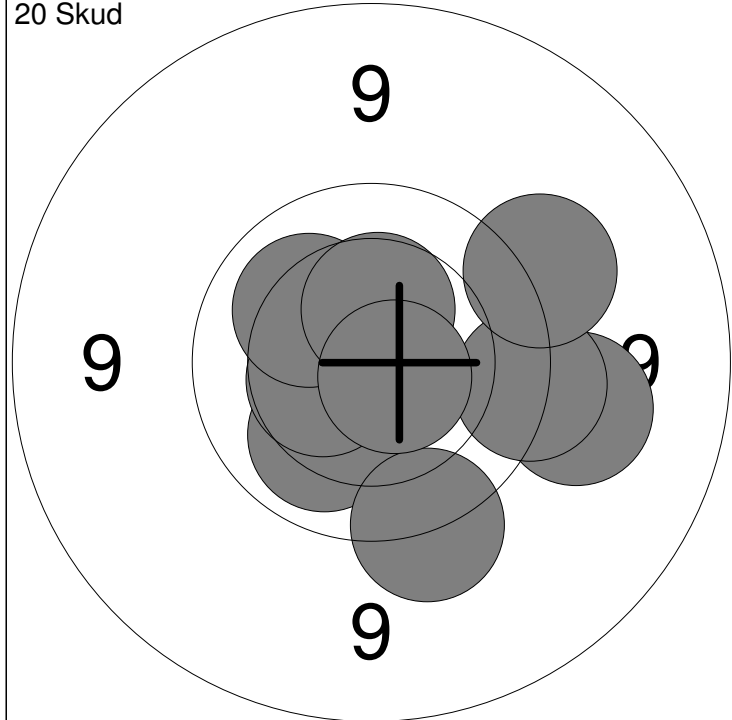
11:	9.8	←
12:	10.1	↘
13:	10.3	↗
14:	10.4	↑
15:	10.2	↗
16:	10.3	←
17:	10.3	↗
18:	10.7x	←
19:	10.0	←
20:	10.1	←
Serie		99
Total		199

Hold 65	Skive 8	Laurits Horne		
Aalborg		Hjørring Skytteforening		MBK3
02.02.2018		Nordjysk mesterskab 2018		Aalborg Skyttekreds
Prøve				
		1:	9.8	→
		2:	10.3	↖
		3:	10.7x	↖
		4:	9.6	↙
		5:	10.8x	↘
		6:	10.7x	↖
		7:	10.2	↗
		8:	9.6	→
		9:	10.5x	↑
		Serie	87	
		Total	0	
20 Skud				
		1:	10.1	→
		2:	9.7	↗
		3:	9.9	↗
		4:	10.3	→
		5:	10.1	↑
		6:	10.4	↓
		7:	10.8x	↘
		8:	10.3	↑
		9:	10.1	←
		10:	10.3	→
		Serie	98	
		Total	98	
20 Skud				
		11:	10.1	↙
		12:	10.6x	↙
		13:	10.3	↗
		14:	9.9	↙
		15:	9.9	↓
		16:	10.5	↓
		17:	10.6x	↖
		18:	10.6x	↓
		19:	10.6x	↗
		20:	10.6x	↑
		Serie	98	
		Total	196	



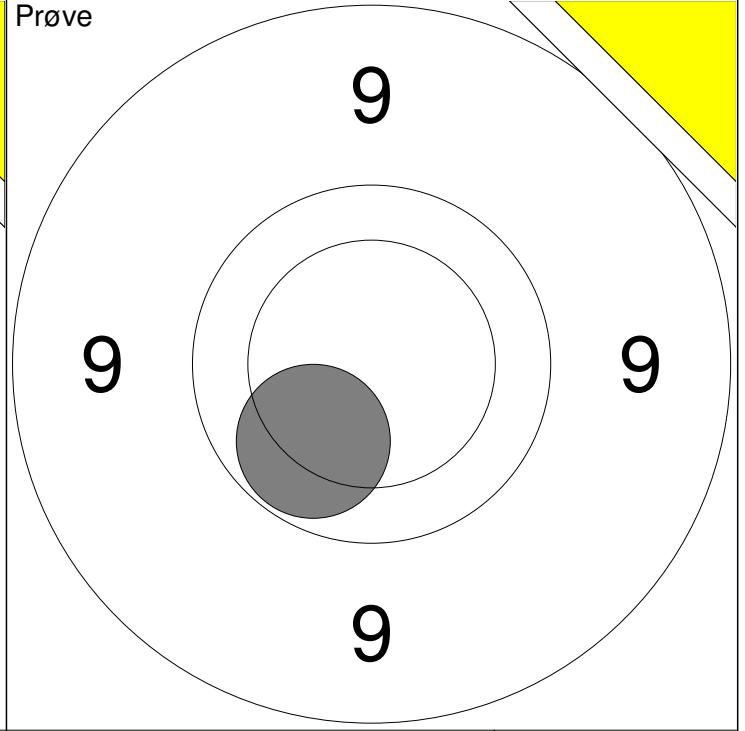
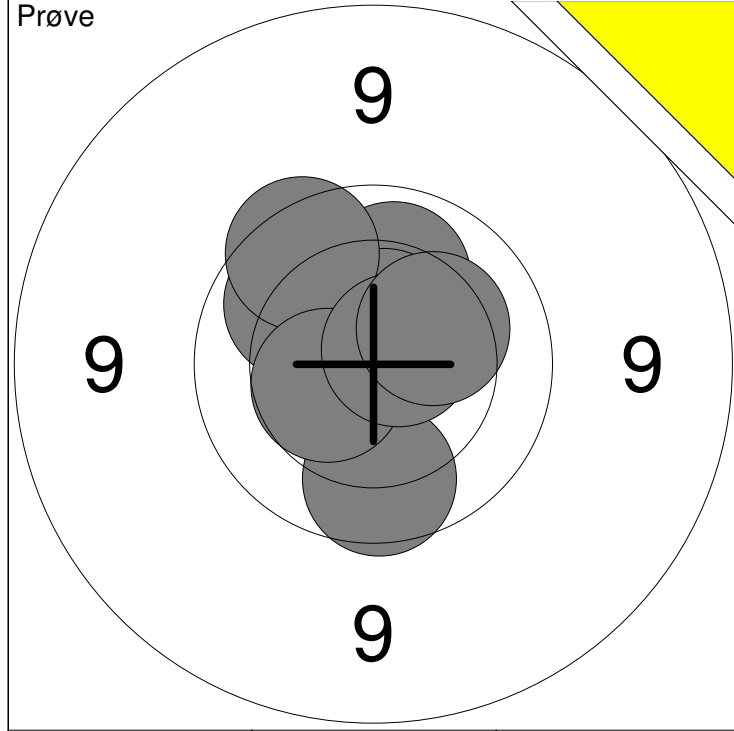
1: 9.7 ↓	6: 9.7 ↑	Serie	94
2: 10.2 ↓	7: 9.5 ↖		
3: 10.3 ↗	8: 9.6 ↗	Total	0
4: 9.8 ↗	9: 10.1 ↗		
5: 10.0 ↙	10: 9.8 ←		

11: 9.6 ↓	Serie	38
12: 9.7 ↗		
13: 10.1 ←	Total	0
14: 10.0 ←		



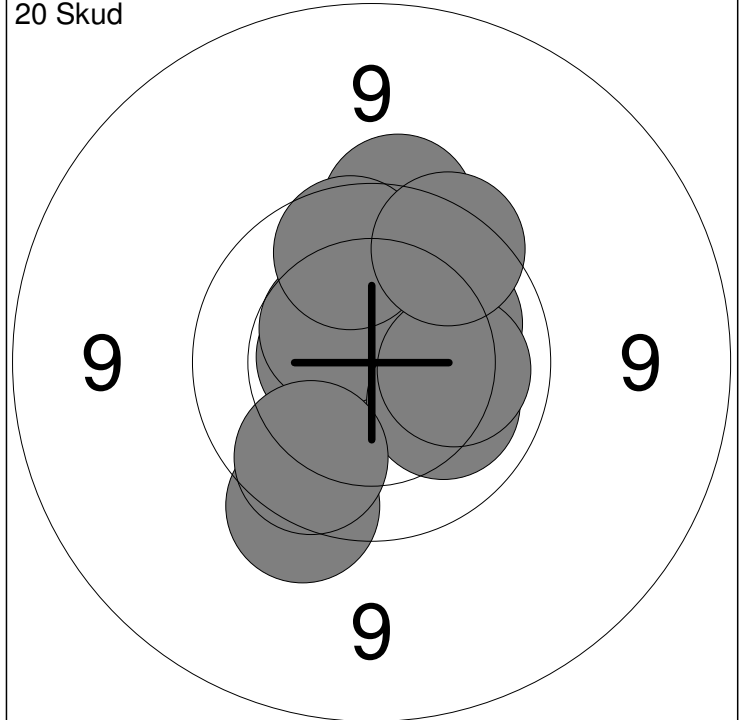
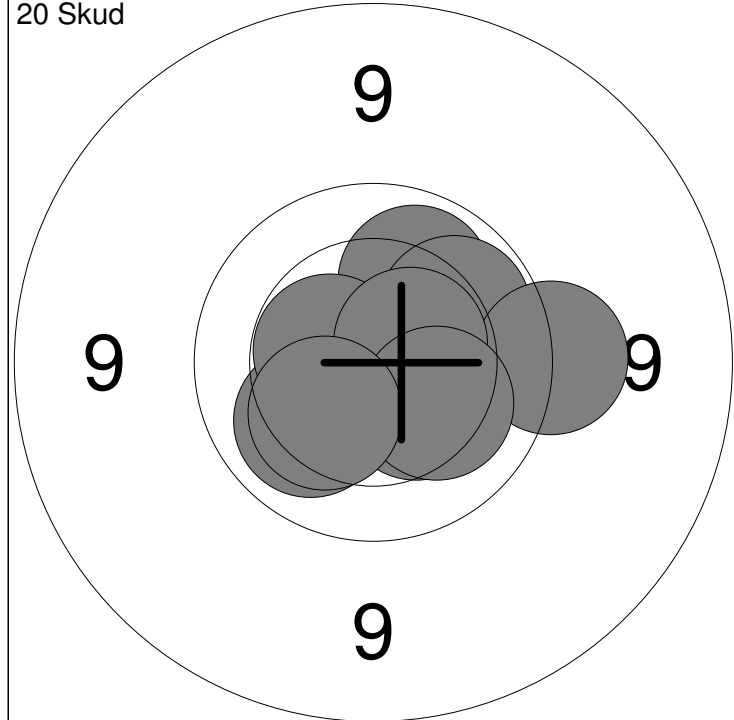
1: 10.1 ↓	6: 10.4 ↑	Serie	96
2: 9.3 →	7: 10.4 ←		
3: 9.6 ↓	8: 10.2 ↖	Total	96
4: 9.6 →	9: 10.4 ↑		
5: 9.5 ↗	10: 10.7x ↘		

11: 10.0 ↓	16: 9.9 ↓	Serie	94
12: 9.7 ←	17: 9.9 ↓		
13: 10.6x ↓	18: 9.8 ←	Total	190
14: 9.4 ←	19: 10.1 ↓		
15: 10.4 ↓	20: 9.9 ↓		



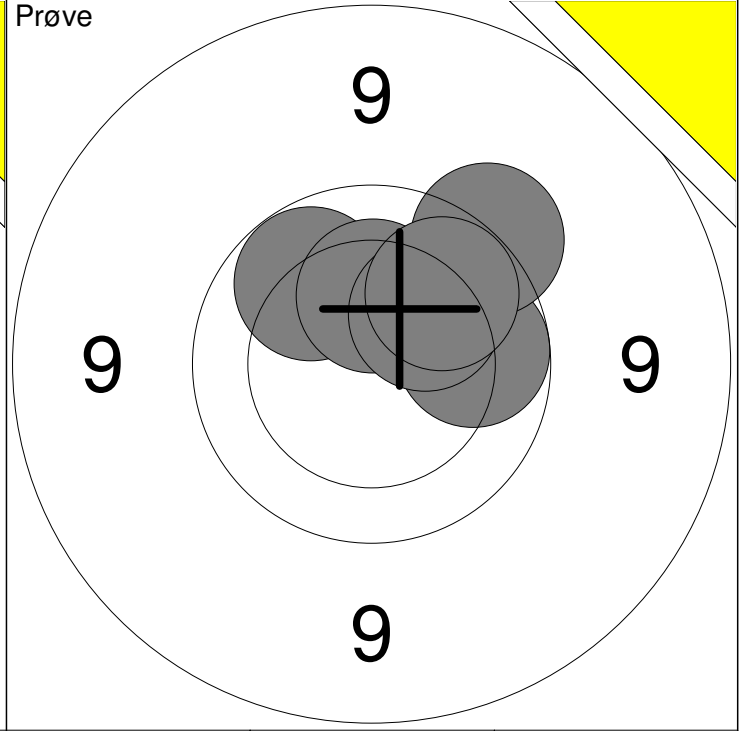
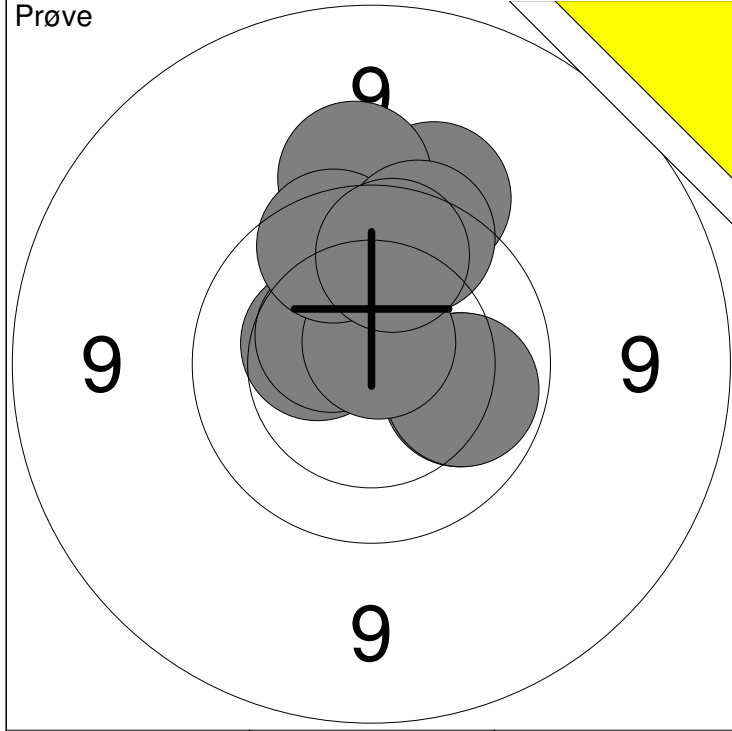
1: 10.6x ↙	6: 9.8 ↗	Serie	98
2: 10.9x ↗	7: 9.9 ↓		
3: 10.1 ↑	8: 10.5 ←	Total	0
4: 10.0 ↖	9: 10.7x ↗		
5: 10.6x ↑	10: 10.3 ↗		

11: 10.0 ↙	Serie	10
	Total	0



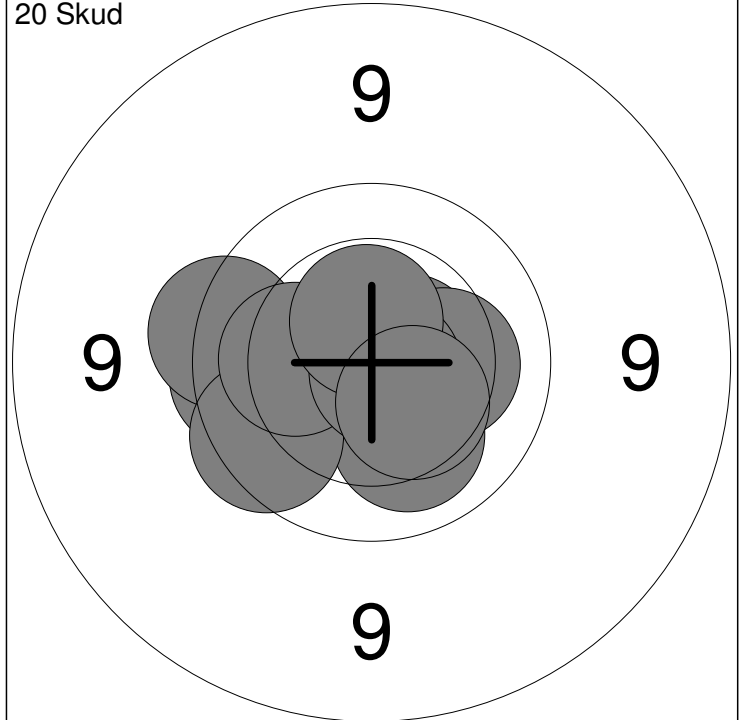
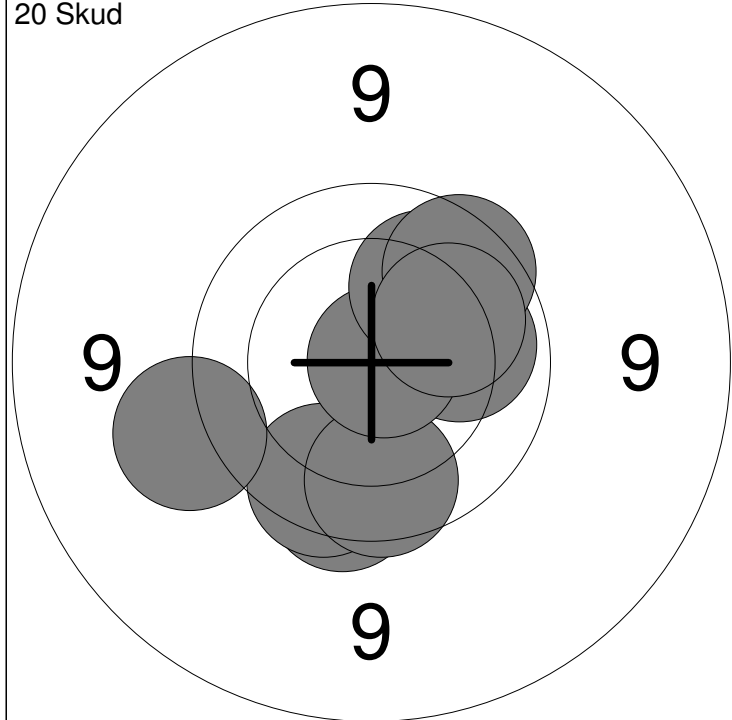
1: 10.3 ↗	6: 9.5 →	Serie	99
2: 10.1 ↑	7: 10.5x ←		
3: 10.1 ↙	8: 10.5x ↗	Total	99
4: 10.0 ↗	9: 10.2 ↘		
5: 10.4 ↘	10: 10.3 ↙		

11: 9.7 ↑	16: 9.6 ↓	Serie	95
12: 10.1 ↗	17: 10.1 ↘		
13: 10.6x ←	18: 10.1 →	Total	194
14: 10.5 ↖	19: 9.8 ↗		
15: 9.9 ↑	20: 9.9 ↙		



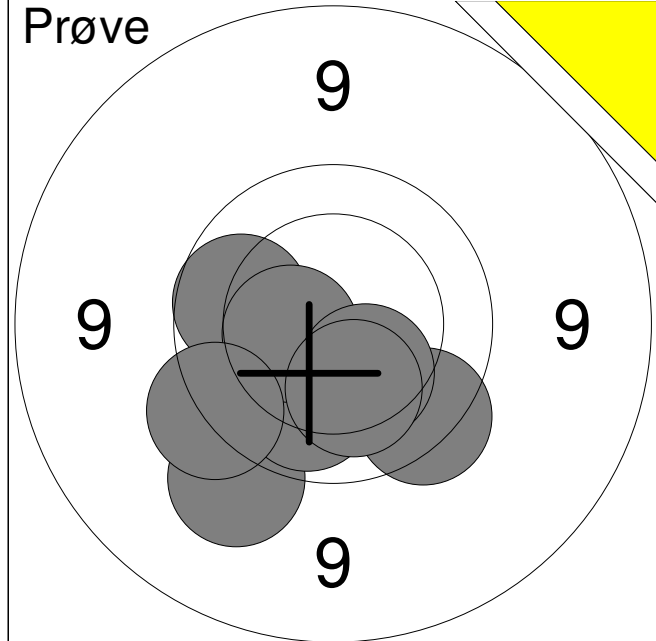
1: 10.1 →	6: 10.5 ↖	Serie 95
2: 10.0 →	7: 10.7x ↑	
3: 10.4 ↖	8: 9.8 ↑	Total 0
4: 9.5 ↑	9: 9.8 ↑	
5: 9.5 ↑	10: 9.9 ↑	

11: 10.0 ↖	16: 10.0 ↗	Serie 59
12: 10.0 →	13: 10.3 ↑	
14: 9.6 ↗	15: 10.2 ↗	Total 0

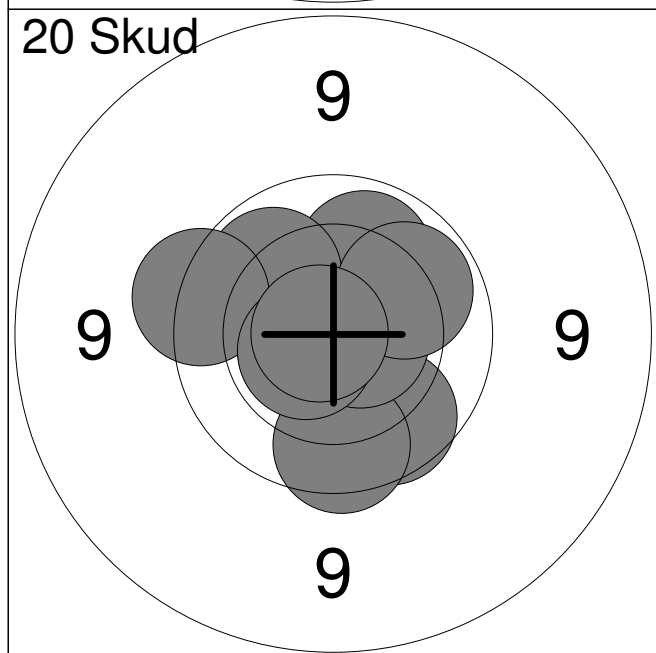


1: 9.8 ↓	6: 10.1 →	Serie 95
2: 10.4 →	7: 10.8x →	
3: 9.8 ↓	8: 10.0 ↗	Total 95
4: 9.9 ↓	9: 9.8 ↗	
5: 9.4 ↖	10: 10.1 ↗	

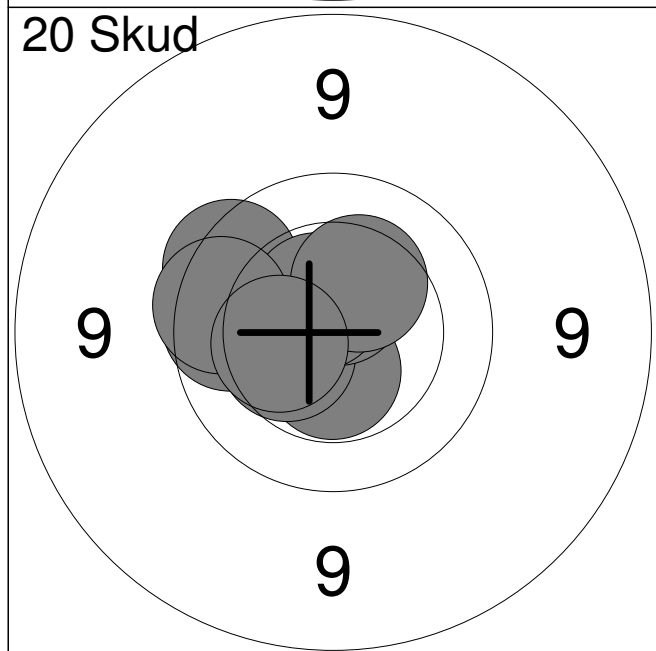
11: 9.8 ←	16: 9.8 ←	Serie 97
12: 10.2 ↓	17: 10.2 ←	
13: 10.6x →	18: 10.8x ↘	Total 192
14: 9.7 ←	19: 10.5x ↑	
15: 10.2 →	20: 10.4 ↘	



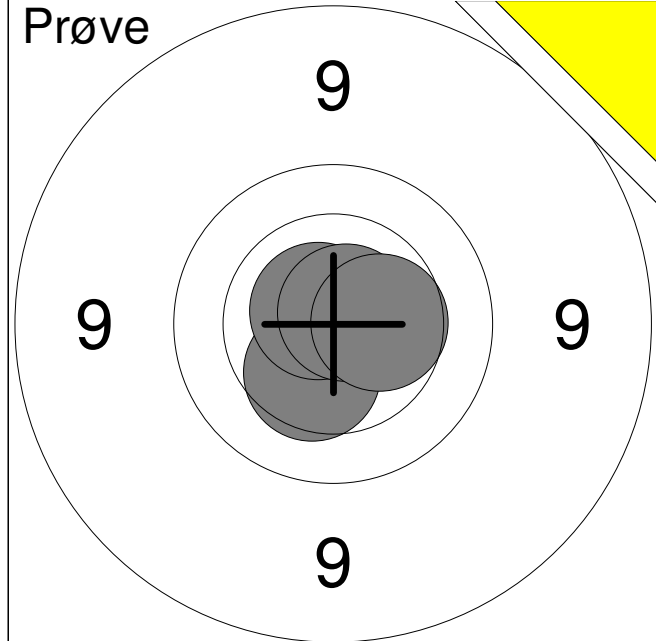
1:	9.7	↙
2:	9.9	←
3:	10.4	↙
4:	9.4	↙
5:	10.0	↙
6:	9.7	↙
7:	10.5	←
8:	10.3	↙
9:	9.6	↙
10:	10.2	↙
Serie		95
Total		0



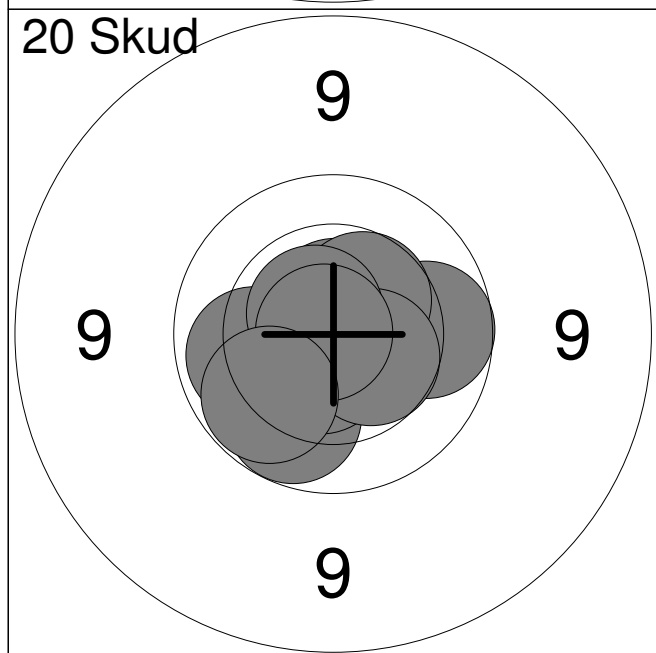
1:	9.9	↙
2:	9.8	↙
3:	10.1	↗
4:	10.0	↗
5:	10.6x	→
6:	10.0	↗
7:	10.6x	←
8:	9.7	←
9:	10.6x	↙
10:	10.8x	←
Serie		97
Total		97



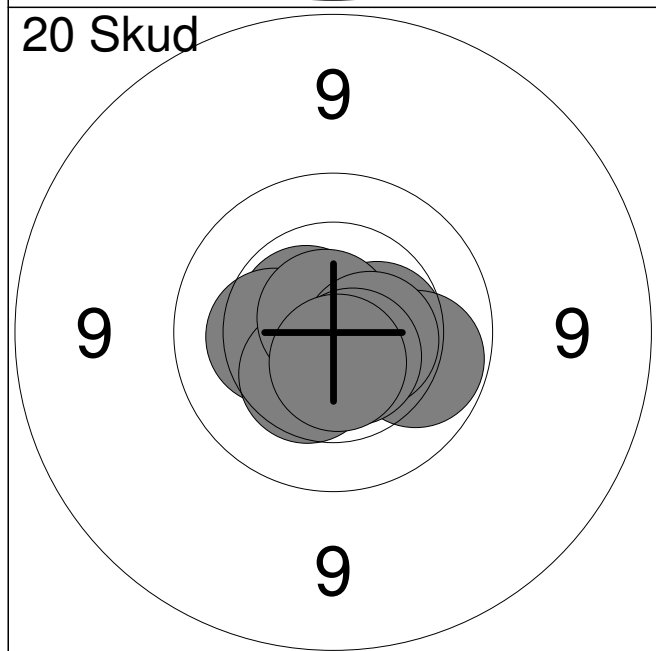
11:	9.9	←
12:	10.2	←
13:	10.5x	↙
14:	9.8	↙
15:	10.4	←
16:	10.6x	↗
17:	10.6x	↗
18:	10.3	↗
19:	9.8	←
20:	10.3	←
Serie		97
Total		194



1:	10.4	↘
2:	10.7x	↗
3:	10.8x	↗
4:	10.4	→
Serie		40
Total		0

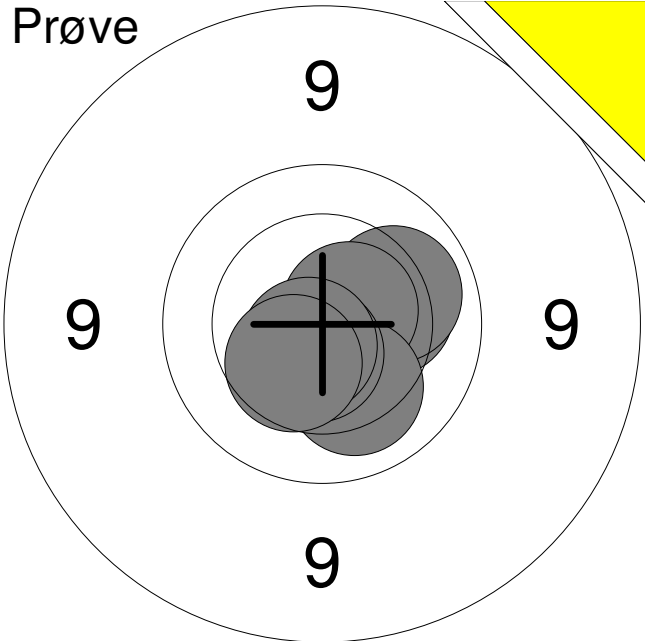


1:	10.0	↘
2:	10.0	←
3:	10.6x	↑
4:	9.9	→
5:	10.5	↗
6:	10.6x	↘
7:	10.5	↘
8:	10.6x	↗
9:	10.8x	←
10:	10.0	↘
Serie		99
Total		99



11:	10.7x	↘
12:	10.6x	↗
13:	10.5	→
14:	10.3	←
15:	10.0	↘
16:	10.4	↘
17:	10.8x	↗
18:	10.5x	↘
19:	10.6x	↘
20:	10.6x	↘
Serie		100
Total		199

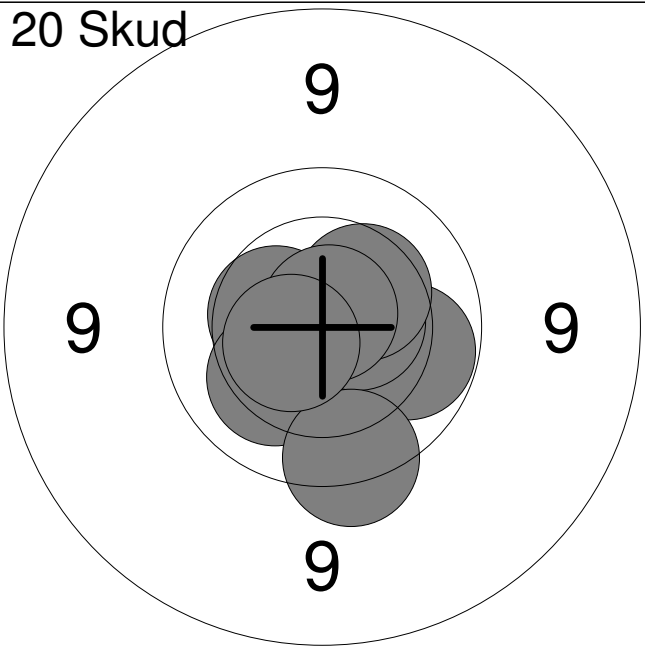
Prøve



1:	10.2	→
2:	10.1	→
3:	10.6x	↗
4:	10.2	↓
5:	10.6x	↓
6:	10.7x	↘
7:	10.4	↘

Serie	70
Total	0

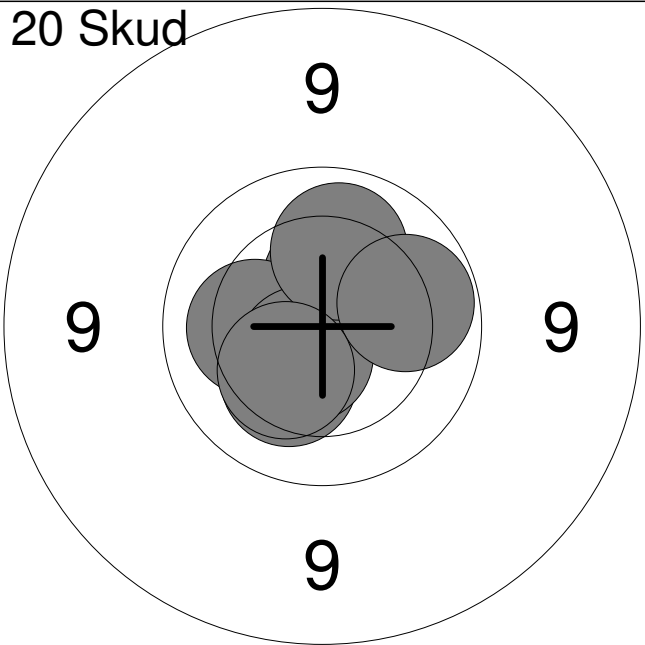
20 Skud



1:	10.5x	↓
2:	10.4	→
3:	10.0	→
4:	10.4	←
5:	10.2	↘
6:	10.6x	→
7:	9.7	↓
8:	10.4	↗
9:	10.8x	↗
10:	10.6x	←

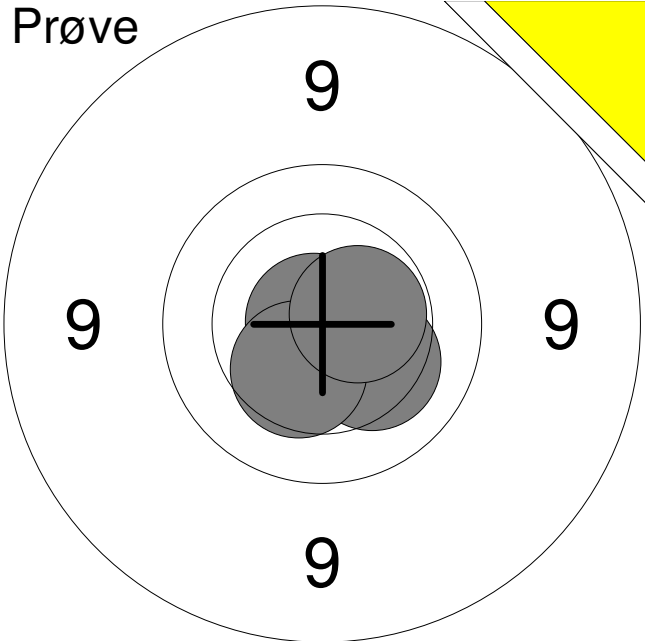
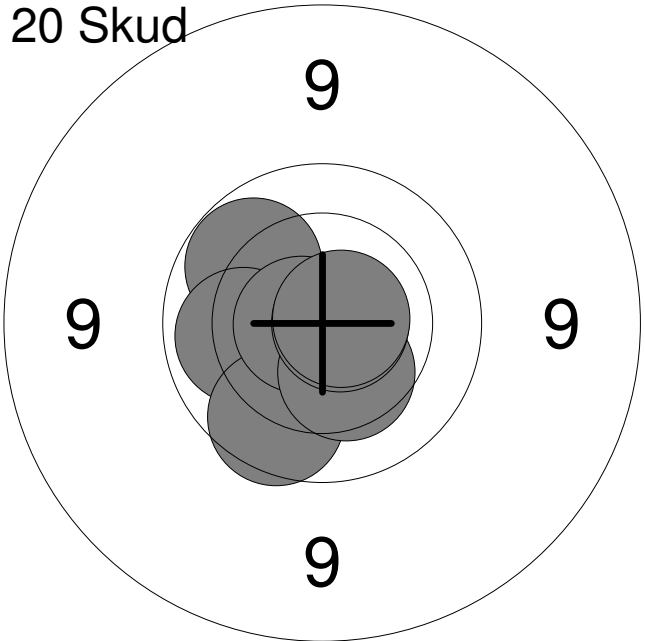
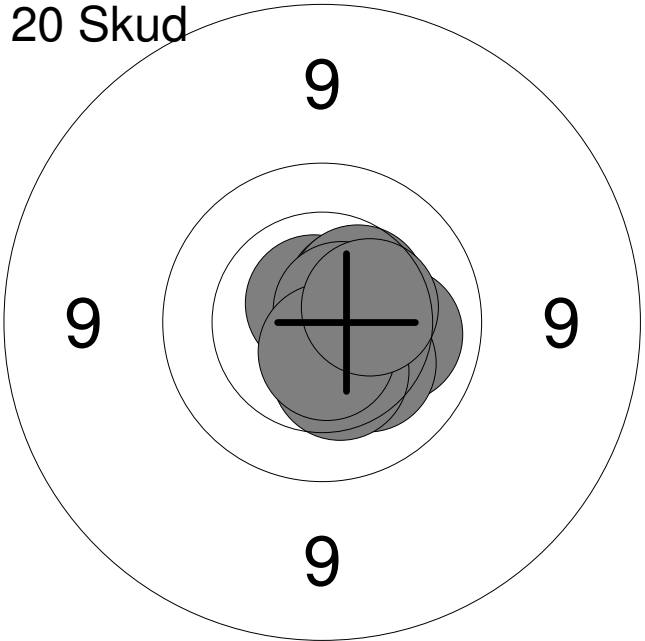
Serie	99
Total	99

20 Skud

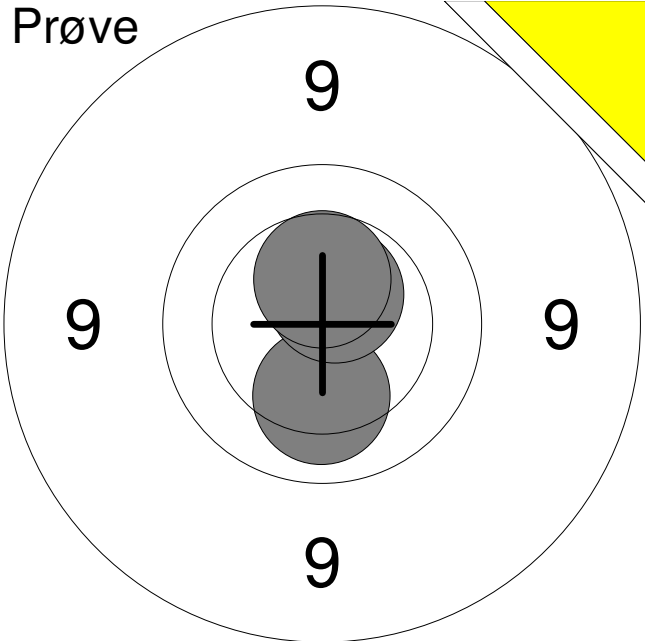


11:	10.7x	←
12:	10.4	↑
13:	10.3	←
14:	10.6x	↘
15:	10.2	←
16:	10.3	↘
17:	10.6x	↘
18:	10.1	↑
19:	10.0	→
20:	10.3	↘

Serie	100
Total	199

Hold	Skive	Sune Grøn Bendixen		
66	5	Aalborg	Hjørring Skytteforening	MBK1
02.02.2018		Nordjysk mesterskab 2018	Aalborg Skyttekreds	
Prøve		1:	10.9x	↖
		2:	10.6x	↘
		3:	10.3	↘
		4:	10.4	↘
		5:	10.5x	→
		Serie		50
		Total		0
20 Skud		1:	10.6x	↓
		2:	10.0	↗
		3:	10.6x	↘
		4:	10.6x	↖
		5:	10.1	←
		6:	9.9	↘
		7:	10.7x	←
		8:	10.3	↘
		9:	10.8x	→
		10:	10.7x	→
		Serie		99
		Total		99
20 Skud		11:	10.5x	→
		12:	10.7x	↗
		13:	10.2	→
		14:	10.5x	↗
		15:	10.3	↘
		16:	10.4	↘
		17:	10.4	↗
		18:	10.7x	↗
		19:	10.6x	↘
		20:	10.4	→
		Serie		100
		Total		199

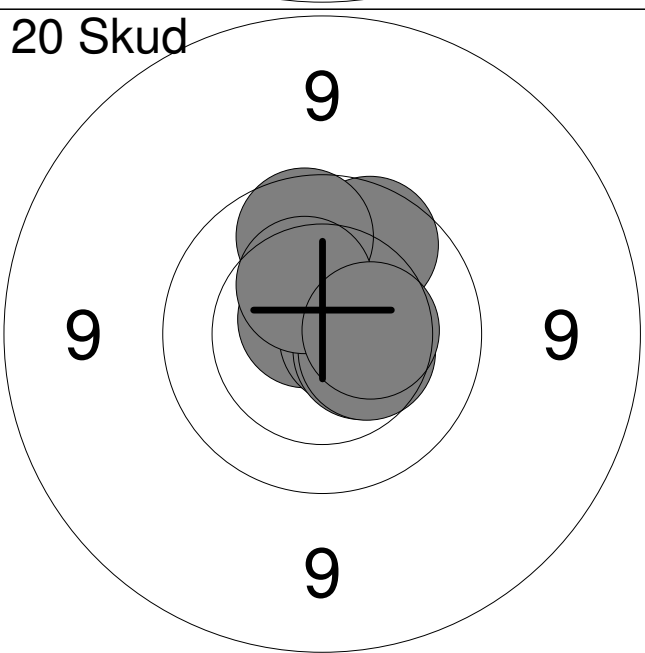
Prøve



1:	10.2	↓
2:	10.6x	↗
3:	10.5	↑

Serie	30
Total	0

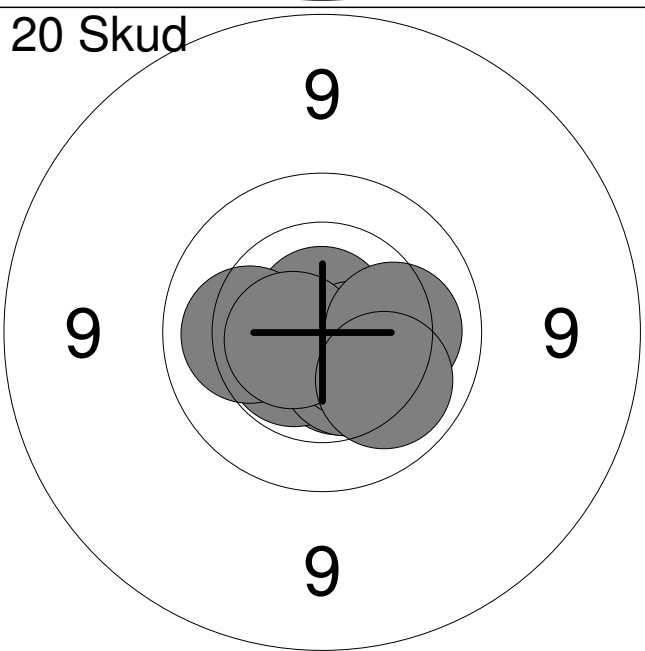
20 Skud



1:	10.5x	↗
2:	10.6x	→
3:	9.9	↗
4:	10.7x	↗
5:	10.7x	→
6:	10.5	↘
7:	10.4	↘
8:	9.9	↑
9:	10.4	↗
10:	10.4	→

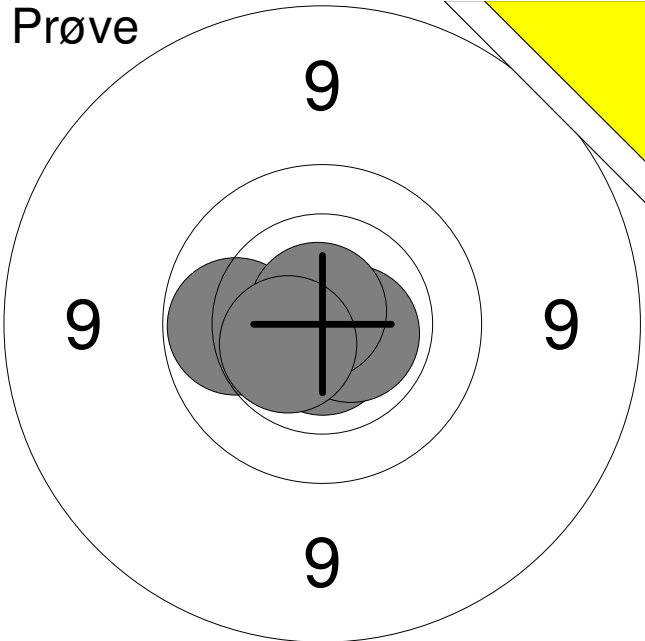
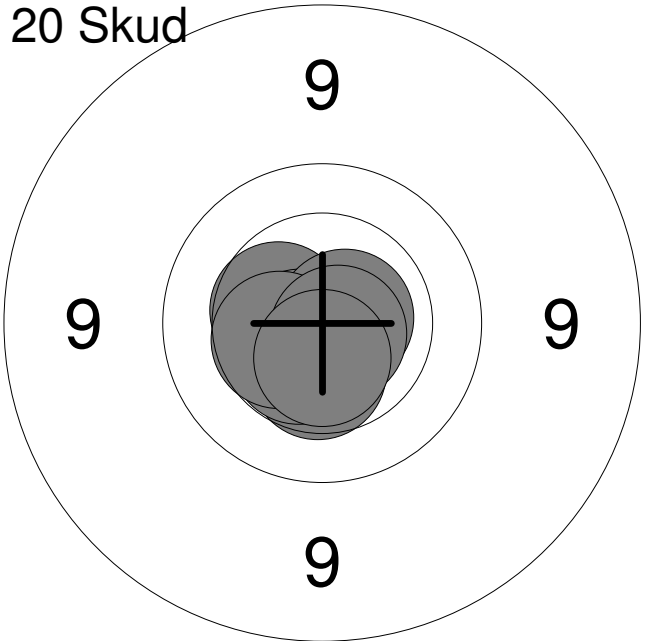
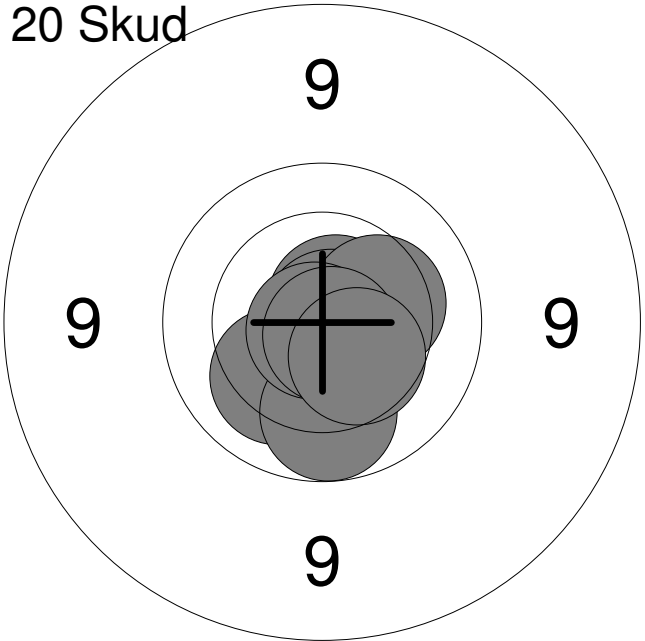
Serie	98
Total	98

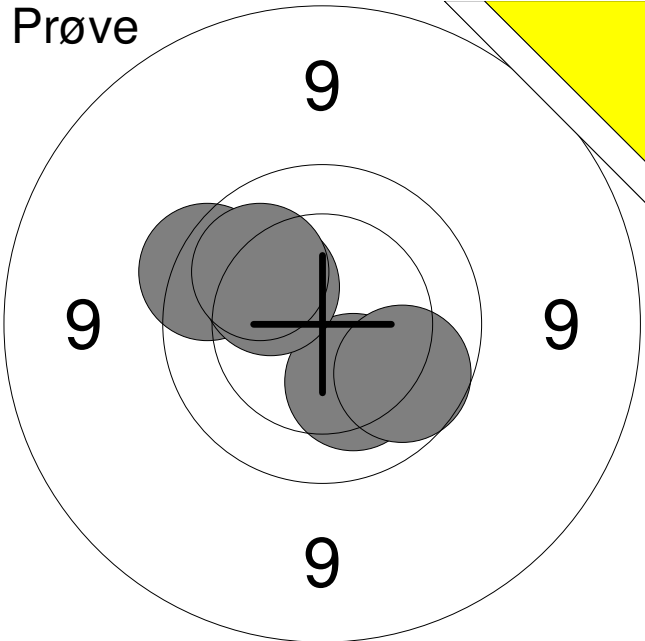
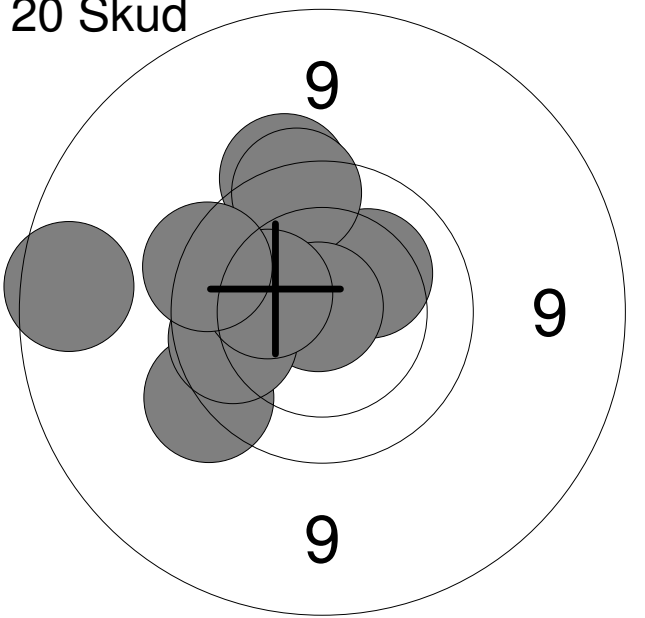
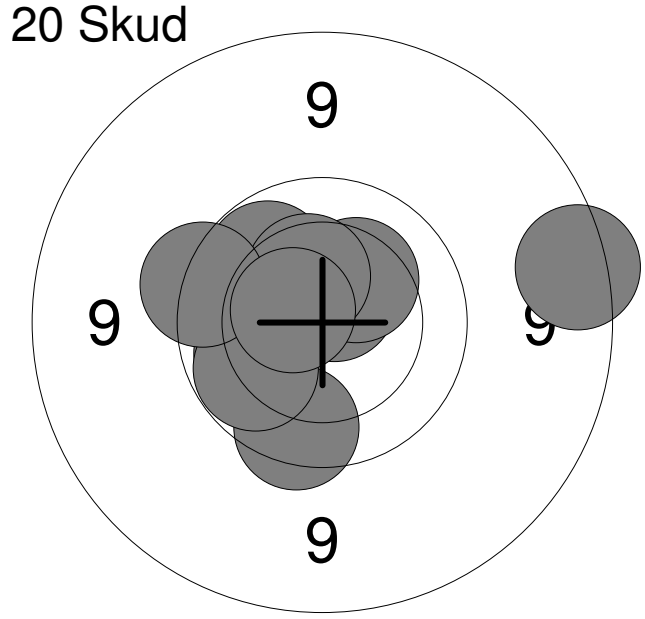
20 Skud

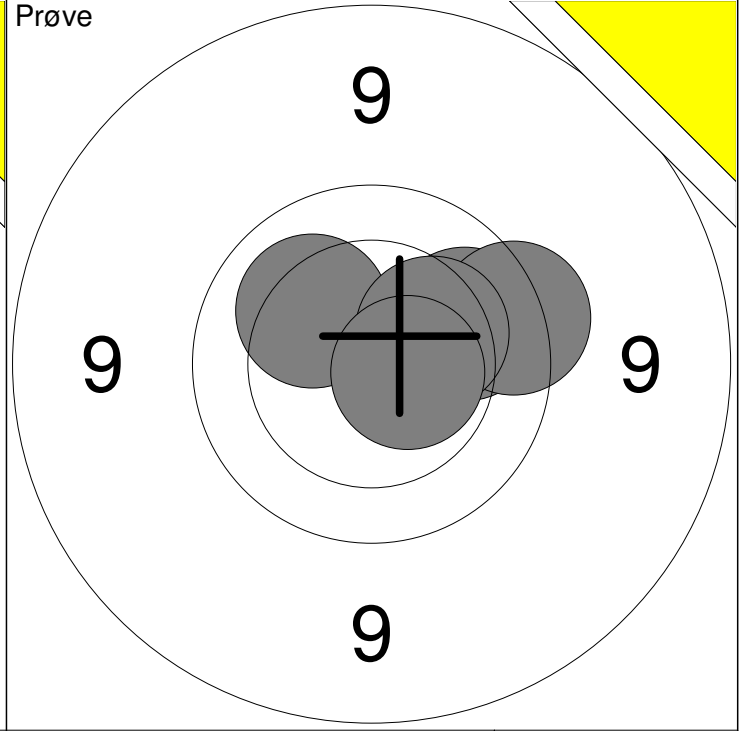
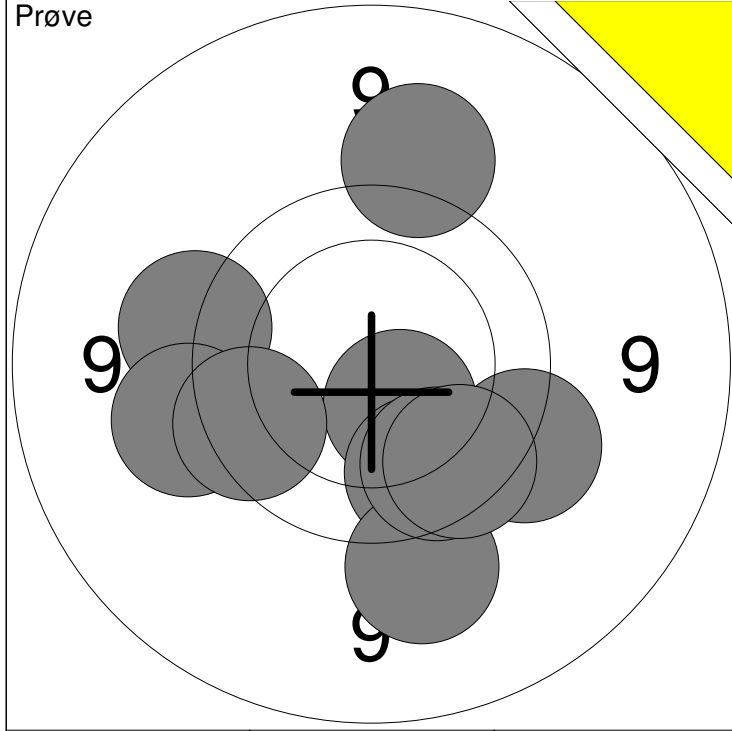


11:	10.5x	↘
12:	10.8x	↑
13:	10.6x	↖
14:	10.5x	↖
15:	10.5	↘
16:	10.5x	↘
17:	10.1	←
18:	10.6x	←
19:	10.2	→
20:	10.1	↘

Serie	100
Total	198

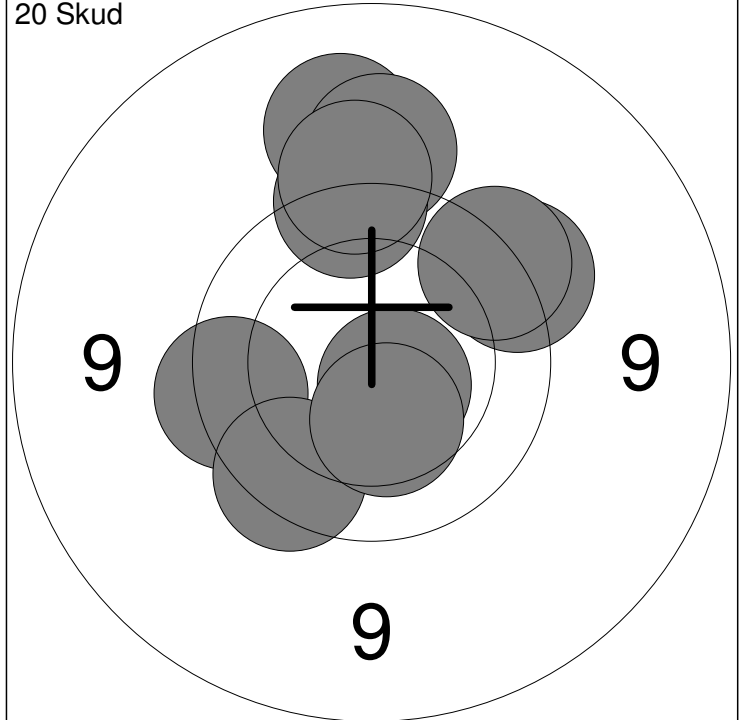
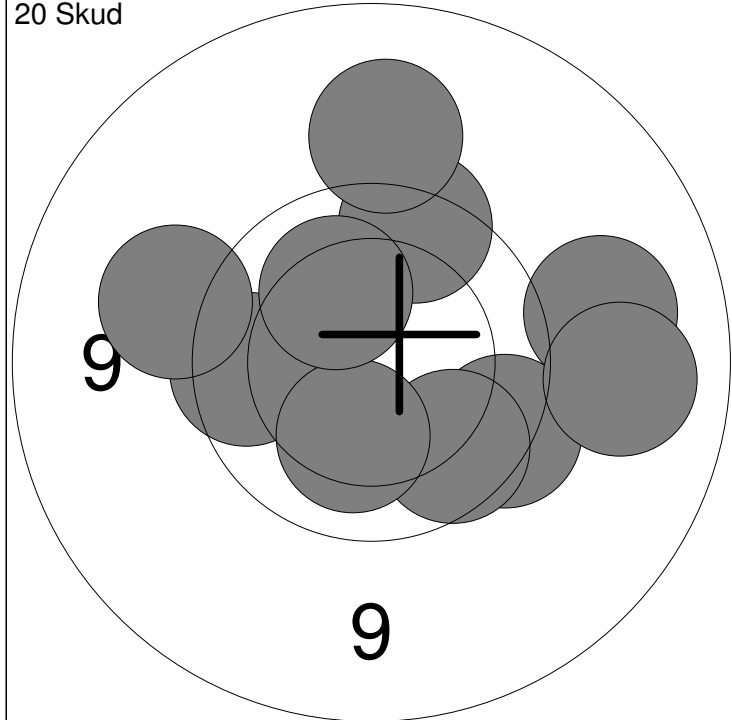
Hold 66	Skive 7	Thomas Grøn Bendixen																																
Aalborg		Hjørring Skytteforening		MJ1																														
02.02.2018		Nordjysk mesterskab 2018		Aalborg Skyttekreds																														
Prøve		<table> <tr><td>1:</td><td>10.7x</td><td>↓</td></tr> <tr><td>2:</td><td>10.6x</td><td>→</td></tr> <tr><td>3:</td><td>10.0</td><td>←</td></tr> <tr><td>4:</td><td>10.8x</td><td>↑</td></tr> <tr><td>5:</td><td>10.5x</td><td>↙</td></tr> </table>			1:	10.7x	↓	2:	10.6x	→	3:	10.0	←	4:	10.8x	↑	5:	10.5x	↙															
1:	10.7x	↓																																
2:	10.6x	→																																
3:	10.0	←																																
4:	10.8x	↑																																
5:	10.5x	↙																																
		Serie		50																														
		Total		0																														
20 Skud		<table> <tr><td>1:</td><td>10.5x</td><td>↓</td></tr> <tr><td>2:</td><td>10.7x</td><td>↓</td></tr> <tr><td>3:</td><td>10.4</td><td>←</td></tr> <tr><td>4:</td><td>10.7x</td><td>←</td></tr> <tr><td>5:</td><td>10.4</td><td>↓</td></tr> <tr><td>6:</td><td>10.7x</td><td>→</td></tr> <tr><td>7:</td><td>10.5x</td><td>↙</td></tr> <tr><td>8:</td><td>10.4</td><td>←</td></tr> <tr><td>9:</td><td>10.7x</td><td>↘</td></tr> <tr><td>10:</td><td>10.6x</td><td>↓</td></tr> </table>			1:	10.5x	↓	2:	10.7x	↓	3:	10.4	←	4:	10.7x	←	5:	10.4	↓	6:	10.7x	→	7:	10.5x	↙	8:	10.4	←	9:	10.7x	↘	10:	10.6x	↓
1:	10.5x	↓																																
2:	10.7x	↓																																
3:	10.4	←																																
4:	10.7x	←																																
5:	10.4	↓																																
6:	10.7x	→																																
7:	10.5x	↙																																
8:	10.4	←																																
9:	10.7x	↘																																
10:	10.6x	↓																																
		Serie		100																														
		Total		100																														
20 Skud		<table> <tr><td>11:</td><td>10.7x</td><td>↗</td></tr> <tr><td>12:</td><td>10.6x</td><td>↘</td></tr> <tr><td>13:</td><td>10.8x</td><td>↘</td></tr> <tr><td>14:</td><td>10.8x</td><td>→</td></tr> <tr><td>15:</td><td>10.2</td><td>↙</td></tr> <tr><td>16:</td><td>10.0</td><td>↓</td></tr> <tr><td>17:</td><td>10.3</td><td>→</td></tr> <tr><td>18:</td><td>10.8x</td><td>↙</td></tr> <tr><td>19:</td><td>10.8x</td><td>↘</td></tr> <tr><td>20:</td><td>10.4</td><td>↘</td></tr> </table>			11:	10.7x	↗	12:	10.6x	↘	13:	10.8x	↘	14:	10.8x	→	15:	10.2	↙	16:	10.0	↓	17:	10.3	→	18:	10.8x	↙	19:	10.8x	↘	20:	10.4	↘
11:	10.7x	↗																																
12:	10.6x	↘																																
13:	10.8x	↘																																
14:	10.8x	→																																
15:	10.2	↙																																
16:	10.0	↓																																
17:	10.3	→																																
18:	10.8x	↙																																
19:	10.8x	↘																																
20:	10.4	↘																																
		Serie		100																														
		Total		200																														

Hold	Skive	Mathias Gade		
66	8	Aalborg	Hjørring Skytteforening	MBK4
02.02.2018	Nordjysk mesterskab 2018	Aalborg Skyttekreds		
Prøve		1:	10.2	↘
		2:	9.9	↘
		3:	9.7	↗
		4:	10.3	↗
		5:	10.1	↗
		Serie	48	
		Total	0	
20 Skud		1:	9.6	↑
		2:	10.3	↗
		3:	10.1	↗
		4:	9.6	↖
		5:	9.7	↑
		6:	10.9x	↗
		7:	9.9	↖
		8:	8.9	↖
		9:	10.3	↖
		10:	9.7	↖
		Serie	93	
		Total	93	
20 Skud		11:	10.1	↖
		12:	10.6x	↗
		13:	10.3	↗
		14:	9.8	↘
		15:	10.0	↗
		16:	10.0	↖
		17:	10.4	↑
		18:	9.7	↖
		19:	8.8	→
		20:	10.6x	↖
		Serie	96	
		Total	189	



1: 9.5 ←	6: 9.5 ←	Serie	91
2: 10.5 ↘	7: 9.8 ←		
3: 9.5 ↘	8: 9.9 ↘	Total	0
4: 9.9 ↘	9: 9.8 ↘		
5: 9.4 ↘	10: 9.4 ↑		

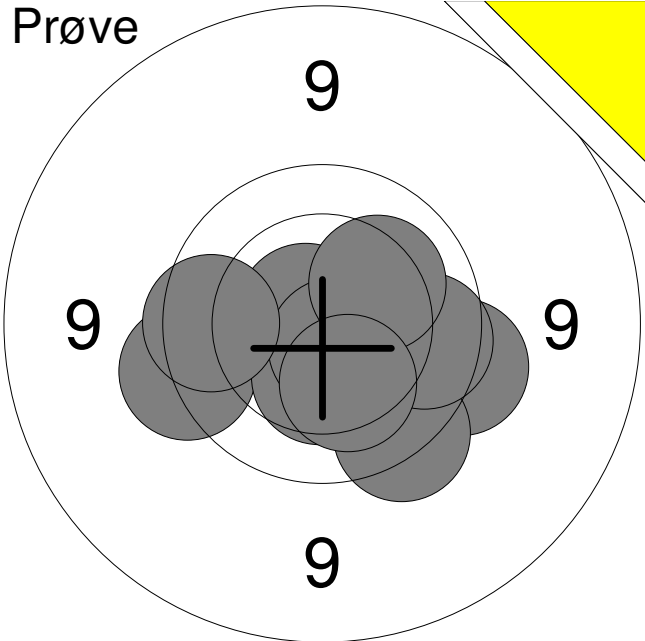
11: 10.0 →	Serie	49
12: 10.2 ↖		
13: 9.7 →	Total	0
14: 10.3 →		
15: 10.6x →		



1: 9.7 ↘	6: 9.4 ←	Serie	92
2: 9.2 →	7: 9.7 ↑		
3: 9.9 ↘	8: 10.2 ↘	Total	92
4: 9.1 →	9: 9.3 ↑		
5: 9.8 ←	10: 10.2 ↖		

11: 9.6 ↗	16: 10.6x ↘	Serie	92
12: 9.6 ↗	17: 9.7 ↘		
13: 9.2 ↑	18: 9.6 ↑	Total	184
14: 9.3 ↑	19: 9.5 ↑		
15: 9.7 ←	20: 10.4 ↘		

Prøve

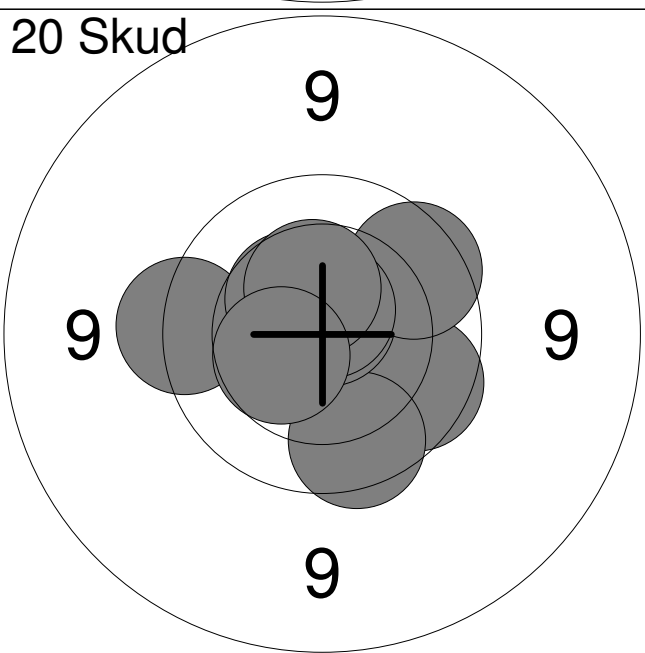


1:	9.6	←
2:	10.7x	↗
3:	10.4	↓
4:	10.7x	↓
5:	9.6	→
6:	9.8	←
7:	9.7	↓
8:	9.9	→
9:	10.2	↗
10:	10.2	↓

Serie **95**

Total **0**

20 Skud

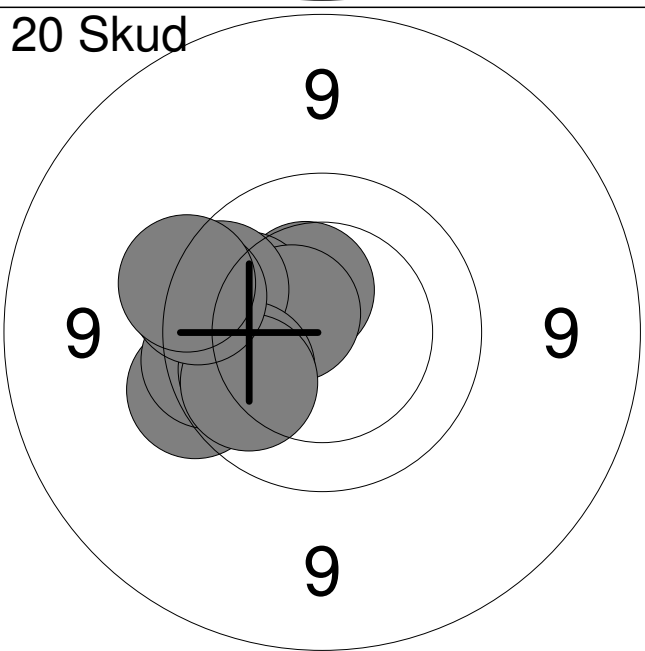


1:	10.1	↘
2:	9.9	↘
3:	9.8	↓
4:	10.8x	↑
5:	9.8	↗
6:	9.7	←
7:	10.7x	↑
8:	10.5	↗
9:	10.4	↑
10:	10.4	←

Serie **96**

Total **96**

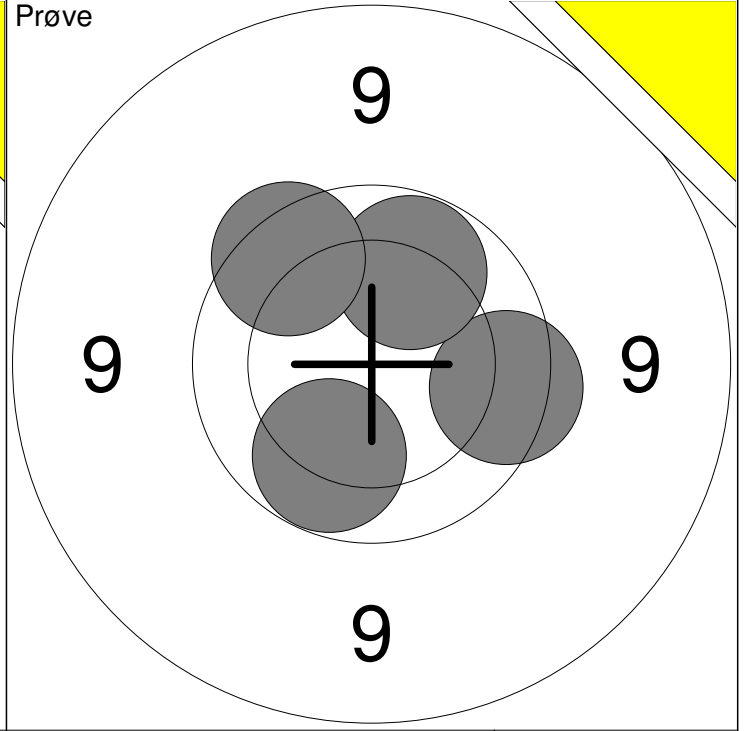
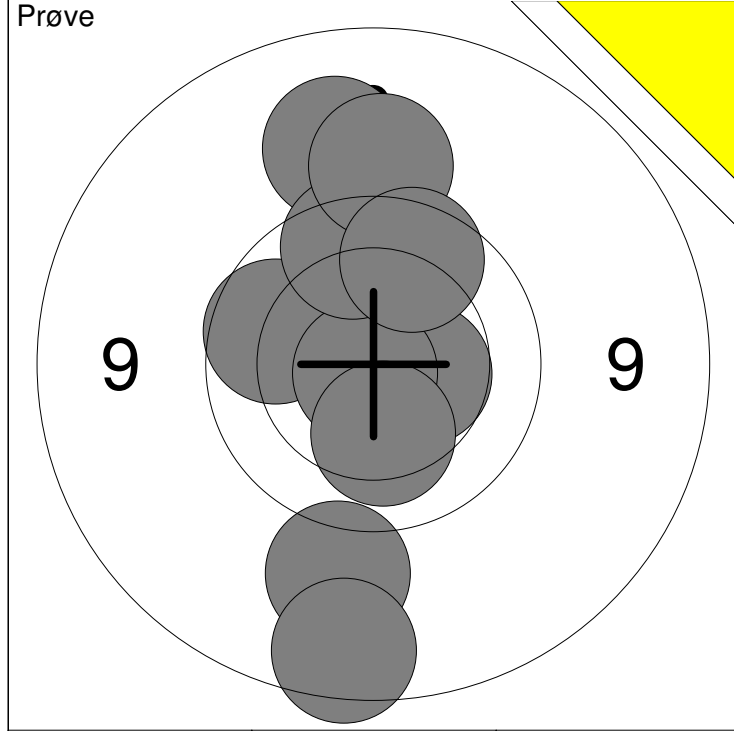
20 Skud



11:	9.6	←
12:	10.4	↑
13:	10.0	↖
14:	10.6x	↗
15:	9.8	←
16:	9.8	←
17:	10.0	←
18:	10.0	←
19:	9.7	←
20:	9.6	←

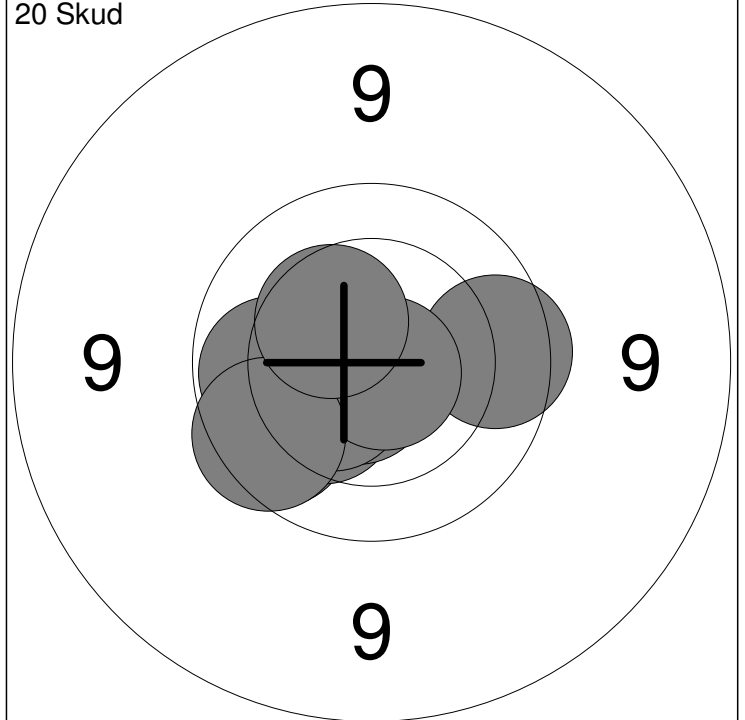
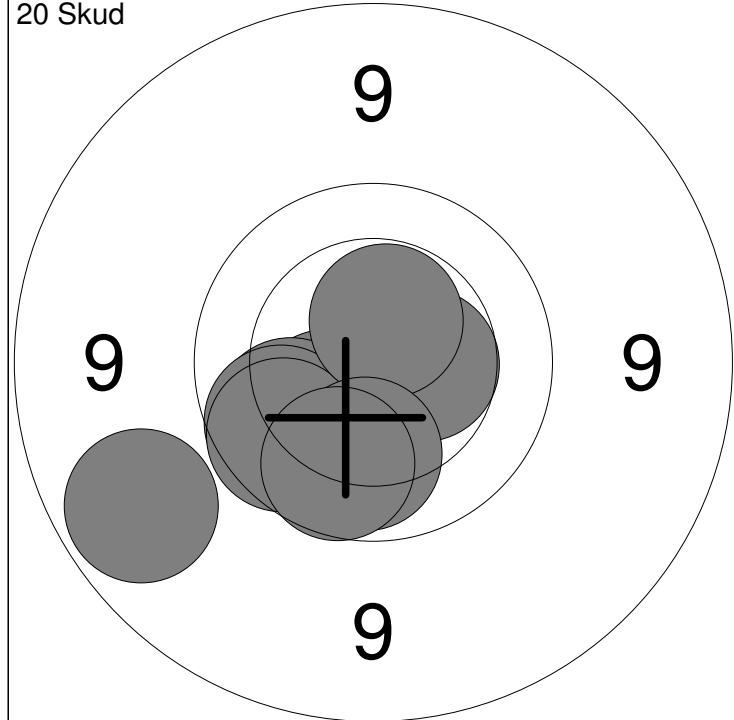
Serie **95**

Total **191**



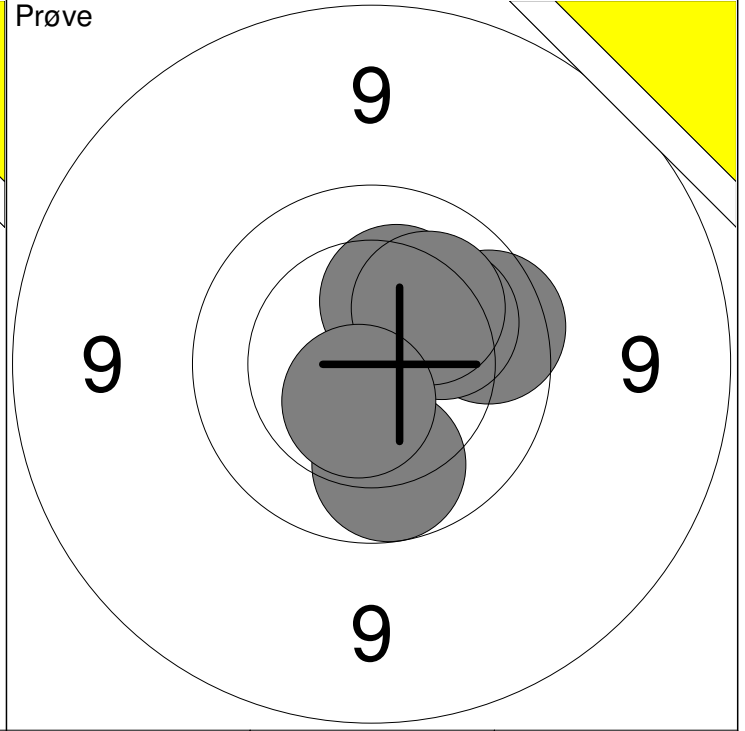
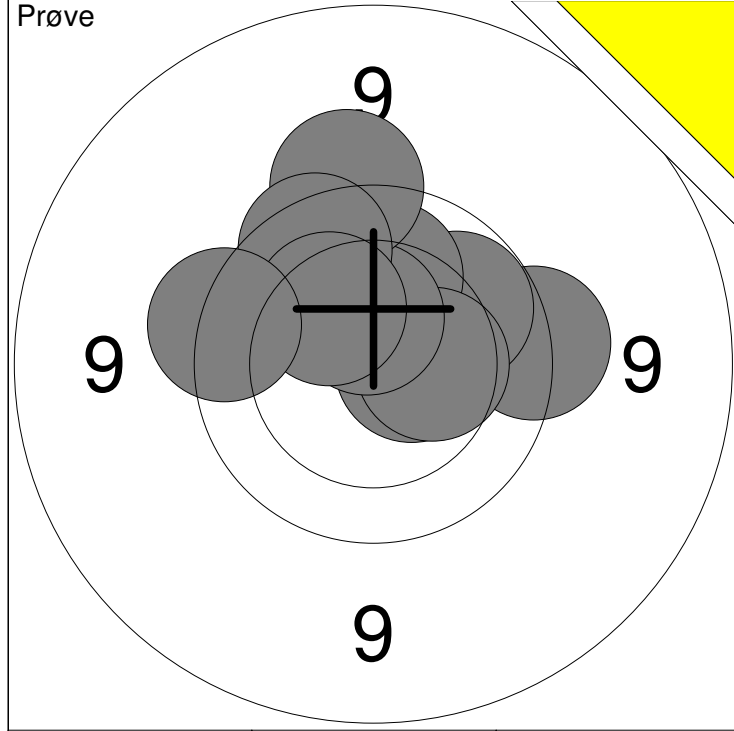
1: 9.3 ↓	6: 10.8x ↙	Serie	92
2: 8.9 ↓	7: 10.2 ↓		
3: 10.5 →	8: 9.8 ↑	Total	0
4: 9.2 ↑	9: 9.3 ↑		
5: 9.9 ←	10: 9.9 ↑		

11: 9.8 →	Serie	38
12: 10.0 ↑		
13: 9.8 ↙	Total	0
14: 10.0 ↓		



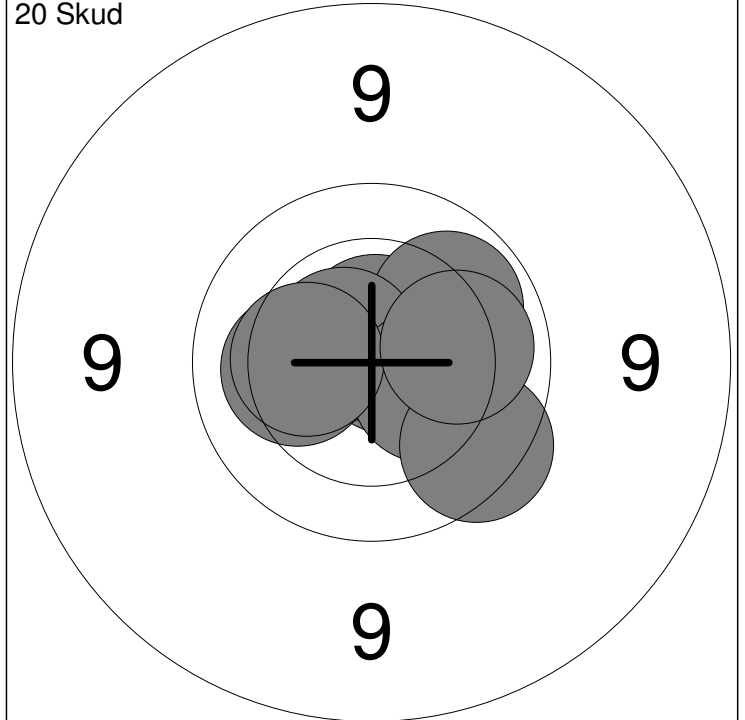
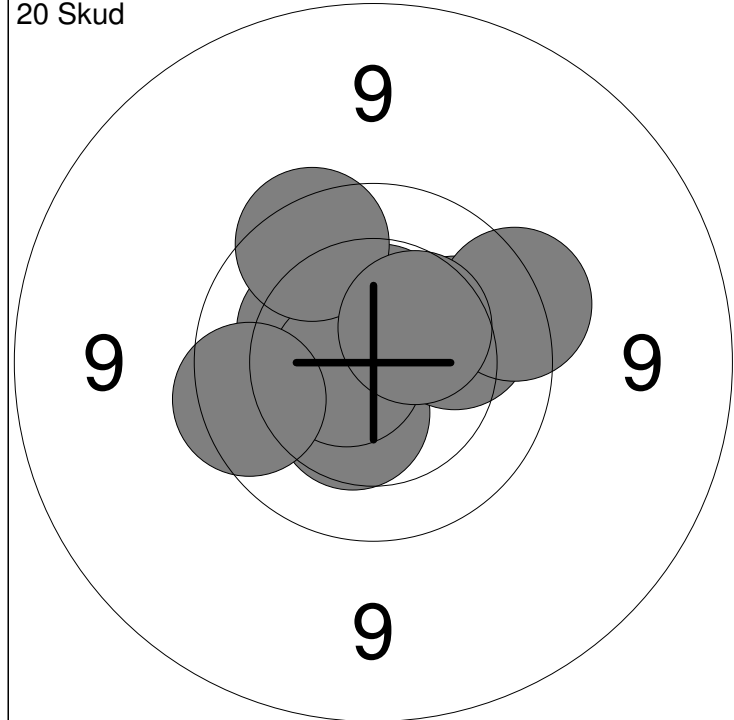
1: 10.3 ↙	6: 9.9 ↙	Serie	96
2: 9.0 ↙	7: 9.9 ↙		
3: 10.4 ↓	8: 10.5x ↑	Total	96
4: 10.5 →	9: 10.0 ↓		
5: 10.0 ↙	10: 9.9 ↓		

11: 10.3 ↙	16: 9.8 →	Serie	97
12: 9.9 ↙	17: 10.5 ↙		
13: 10.3 ↙	18: 10.8x ↘	Total	193
14: 10.7x ↓	19: 9.8 ↙		
15: 10.0 ←	20: 10.4 ↙		



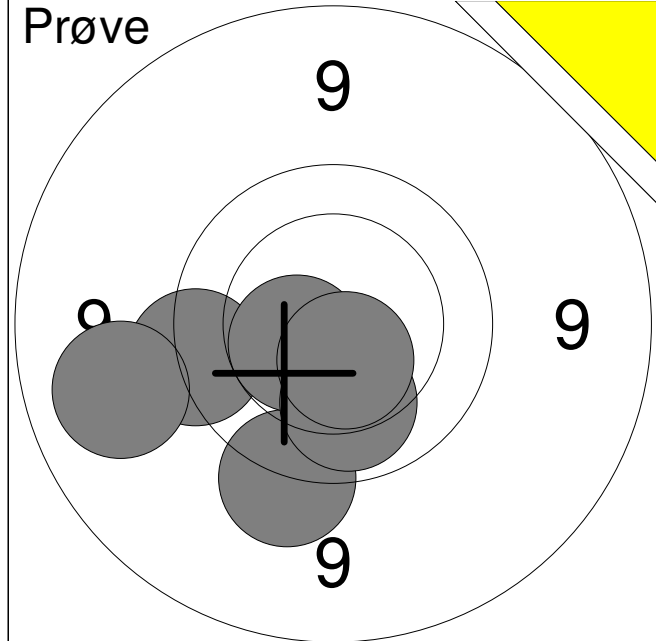
1: 9.6 →	6: 10.5x ↑	Serie	96
2: 10.0 ↗	7: 9.5 ↑		
3: 10.6x →	8: 9.8 ↗	Total	0
4: 10.1 ↑	9: 10.3 ↘		
5: 10.4 →	10: 9.7 ←		

11: 9.8 →	16: 10.6x ↓	Serie	59
12: 10.1 ↗	13: 10.3 ↑		
14: 10.2 ↗	15: 10.0 ↓	Total	0

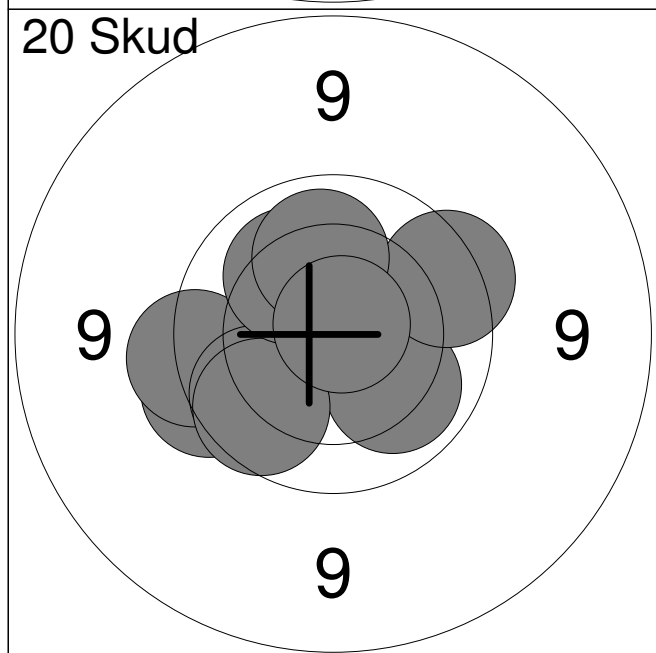


1: 10.4 ↓	6: 10.7x ←	Serie	97
2: 10.1 →	7: 9.7 →		
3: 10.6x ←	8: 9.8 ↗	Total	97
4: 10.3 ↖	9: 9.8 ←		
5: 10.5x ↑	10: 10.4 ↗		

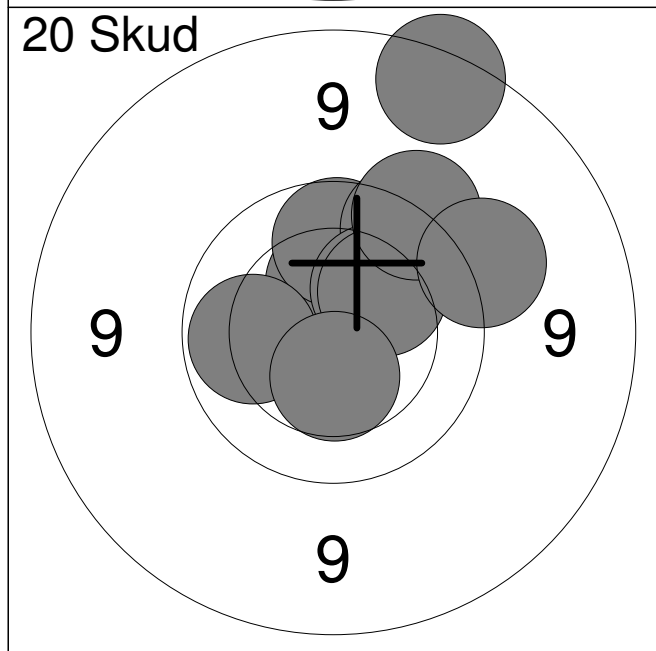
11: 10.6x ↑	16: 10.4 →	Serie	99
12: 10.8x →	17: 9.8 ↓		
13: 10.4 →	18: 10.2 ←	Total	196
14: 10.0 ↗	19: 10.3 ←		
15: 10.6x ↖	20: 10.1 →		



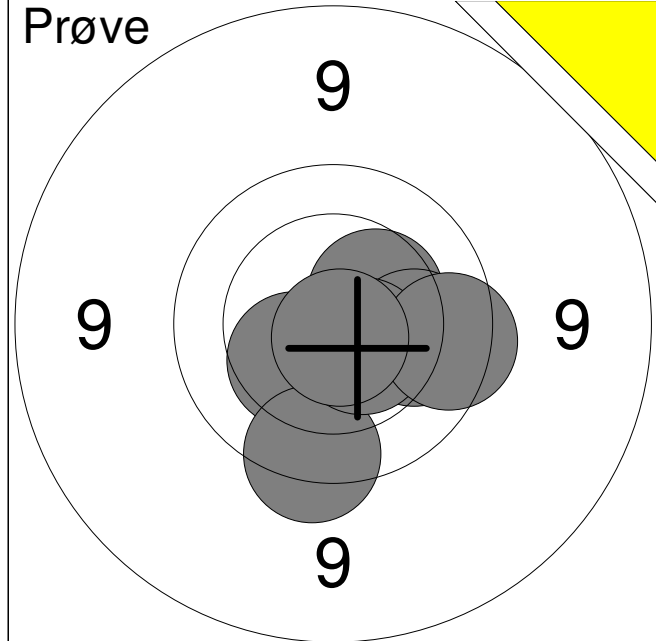
1:	9.5	↓
2:	9.6	←
3:	9.1	←
4:	10.5x	←
5:	10.1	↓
6:	10.5x	↓
Serie		57
Total		0



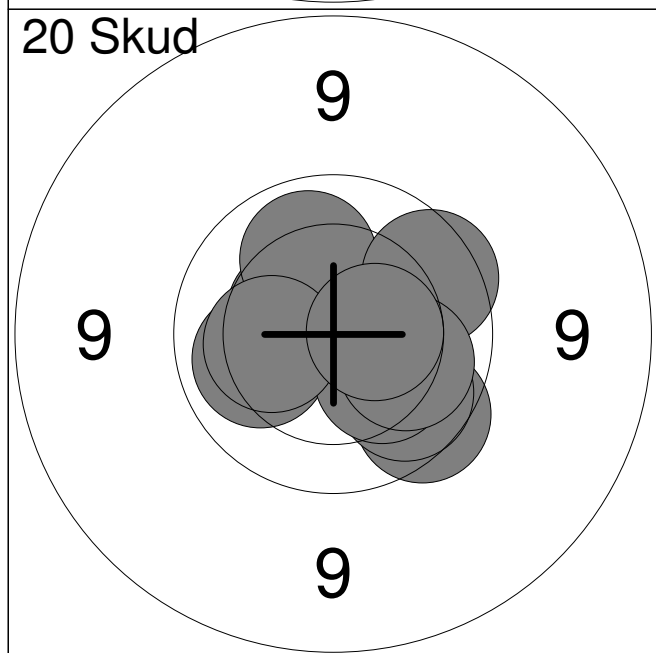
1:	9.9	←
2:	9.7	←
3:	10.1	↓
4:	9.6	←
5:	9.9	←
6:	9.9	←
7:	10.2	↖
8:	9.7	↗
9:	10.1	↑
10:	10.8x	↗
Serie		94
Total		94



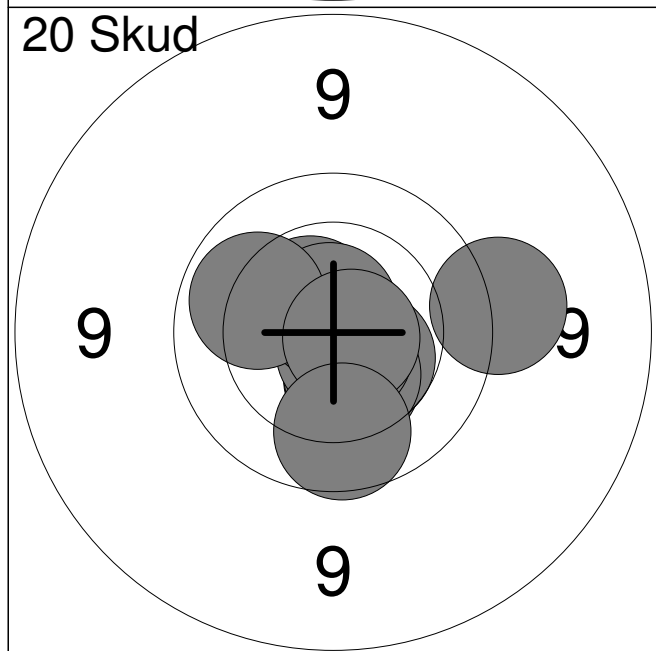
11:	10.4	↑
12:	9.9	↑
13:	9.7	↗
14:	10.2	↗
15:	10.0	←
16:	8.8	↑
17:	10.2	↗
18:	9.6	↗
19:	9.4	↗
20:	10.4	↓
Serie		94
Total		188



1:	10.4	↙
2:	10.4	↗
3:	10.0	→
4:	9.7	↓
5:	10.6x	↙
6:	9.8	→
7:	10.8x	↙
Serie		68
Total		0



1:	10.5	↗
2:	10.1	←
3:	10.1	↗
4:	9.8	↘
5:	9.9	↘
6:	10.2	↘
7:	9.8	↗
8:	10.3	←
9:	10.1	↘
10:	10.5	→
Serie		97
Total		97



11:	10.4	↘
12:	10.5	↘
13:	10.4	↘
14:	10.6x	↗
15:	10.7x	↘
16:	10.7x	↗
17:	10.0	↗
18:	10.7x	↘
19:	9.9	↓
20:	9.5	→
Serie		98
Total		195

Prøve 	1:	10.0	↘
	2:	10.2	←
	3:	9.9	↘
	4:	9.9	↘
	5:	9.8	↘
	6:	10.4	→
	7:	10.3	↑
	8:	10.8x	←
	9:	10.3	↗
	10:	10.3	↓
	Serie		97
Total		0	

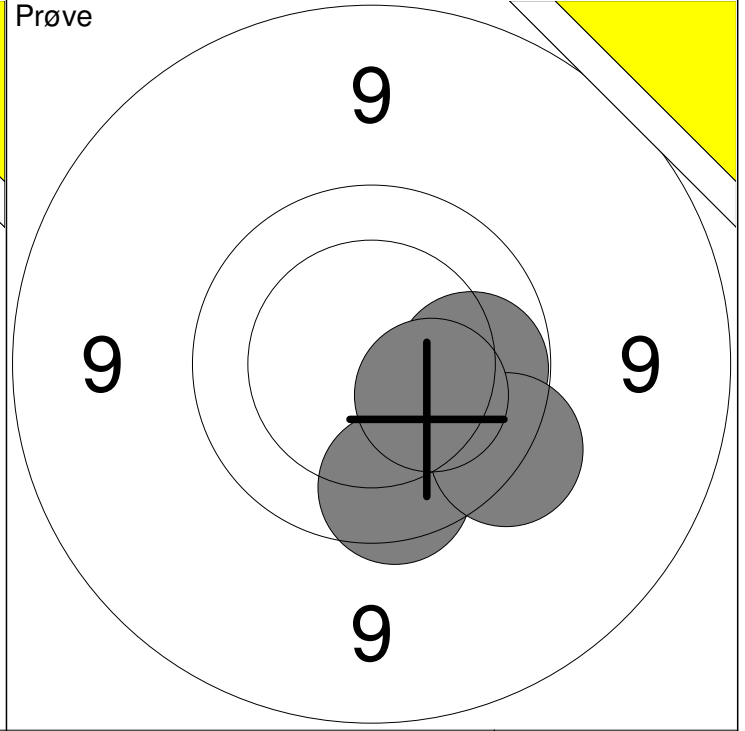
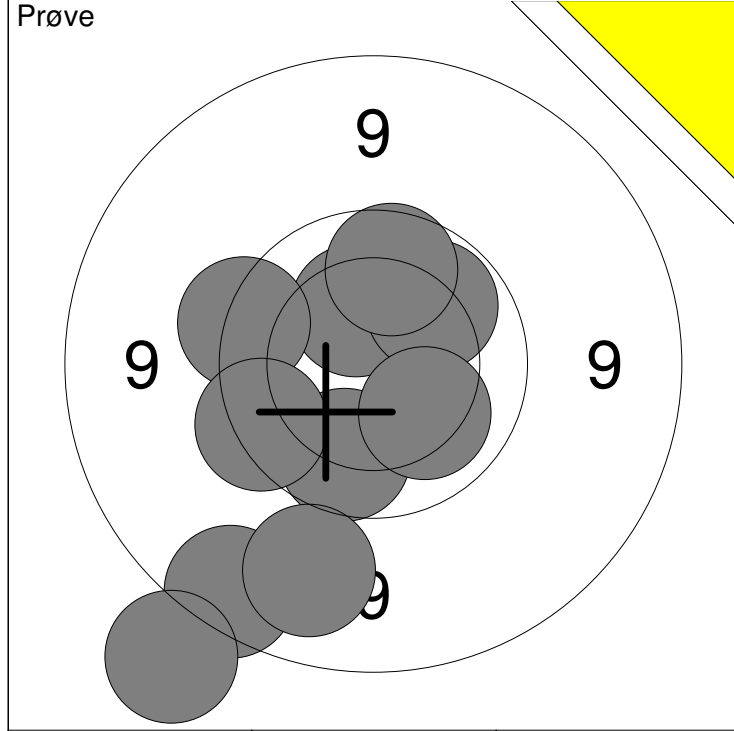
20 Skud 	1:	9.8	↗
	2:	10.0	↘
	3:	10.3	↘
	4:	10.4	↗
	5:	10.5	↗
	6:	10.6x	→
	7:	9.9	↘
	8:	10.0	→
	9:	10.5	↑
	10:	9.9	↓
	Serie		97
Total		97	

20 Skud 	11:	9.9	←
	12:	10.5	↓
	13:	10.1	↖
	14:	10.6x	↘
	15:	10.5x	↘
	16:	8.6	→
	17:	10.3	←
	18:	9.9	↓
	19:	10.6x	↗
	20:	10.3	↖
	Serie		96
Total		193	

<p>Prøve</p>	<table style="width:100%; border-collapse: collapse;"> <tr><td style="width:5%;">1:</td><td style="width:15%;">10.5x</td><td style="width:5%;">➔</td></tr> <tr><td>2:</td><td>9.5</td><td>⬇</td></tr> <tr><td>3:</td><td>10.1</td><td>⬅</td></tr> <tr><td>4:</td><td>9.5</td><td>⬇</td></tr> <tr><td>5:</td><td>10.4</td><td>⬅</td></tr> <tr><td>6:</td><td>10.0</td><td>⬇</td></tr> <tr><td>7:</td><td>10.3</td><td>⬅</td></tr> <tr><td>8:</td><td>10.6x</td><td>⬇</td></tr> <tr><td>9:</td><td>10.3</td><td>➔</td></tr> <tr><td>10:</td><td>10.4</td><td>⬇</td></tr> <tr><td colspan="2">Serie</td><td style="text-align: right;">98</td></tr> <tr><td colspan="2">Total</td><td style="text-align: right;">0</td></tr> </table>	1:	10.5x	➔	2:	9.5	⬇	3:	10.1	⬅	4:	9.5	⬇	5:	10.4	⬅	6:	10.0	⬇	7:	10.3	⬅	8:	10.6x	⬇	9:	10.3	➔	10:	10.4	⬇	Serie		98	Total		0
1:	10.5x	➔																																			
2:	9.5	⬇																																			
3:	10.1	⬅																																			
4:	9.5	⬇																																			
5:	10.4	⬅																																			
6:	10.0	⬇																																			
7:	10.3	⬅																																			
8:	10.6x	⬇																																			
9:	10.3	➔																																			
10:	10.4	⬇																																			
Serie		98																																			
Total		0																																			

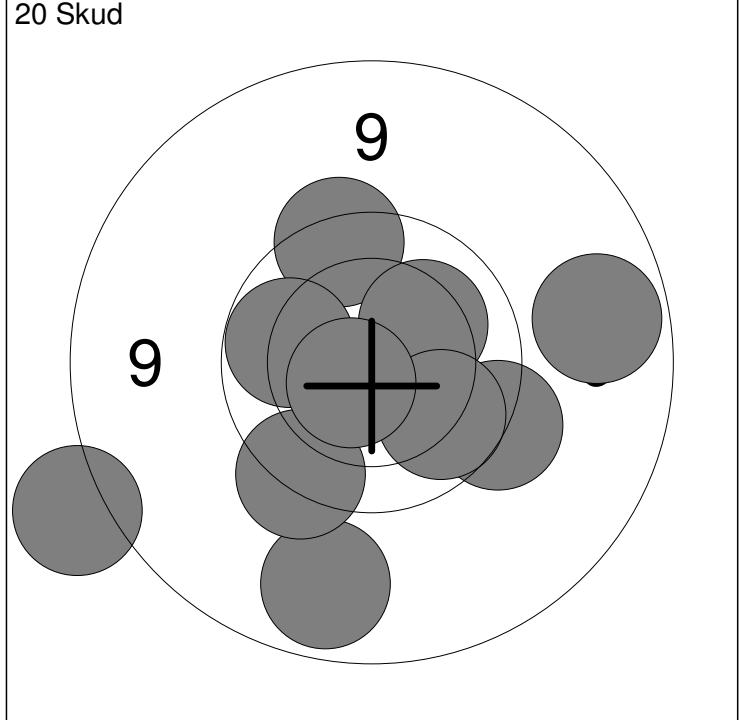
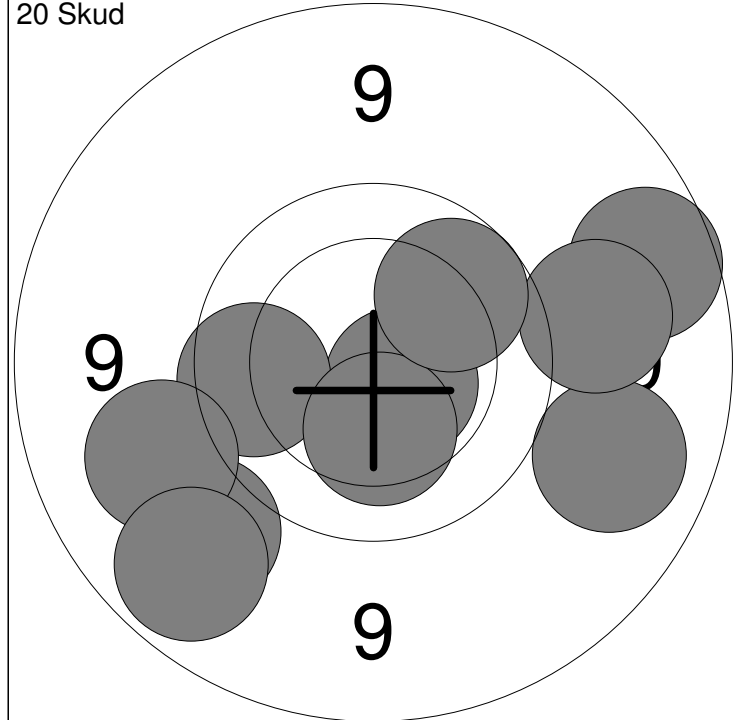
<p>20 Skud</p>	<table style="width:100%; border-collapse: collapse;"> <tr><td style="width:5%;">1:</td><td style="width:15%;">9.7</td><td style="width:5%;">⬇</td></tr> <tr><td>2:</td><td>10.4</td><td>⬇</td></tr> <tr><td>3:</td><td>10.5x</td><td>➔</td></tr> <tr><td>4:</td><td>10.3</td><td>➔</td></tr> <tr><td>5:</td><td>9.7</td><td>➔</td></tr> <tr><td>6:</td><td>10.4</td><td>⬇</td></tr> <tr><td>7:</td><td>9.9</td><td>⬇</td></tr> <tr><td>8:</td><td>10.2</td><td>⬅</td></tr> <tr><td>9:</td><td>10.3</td><td>⬅</td></tr> <tr><td>10:</td><td>10.3</td><td>➔</td></tr> <tr><td colspan="2">Serie</td><td style="text-align: right;">97</td></tr> <tr><td colspan="2">Total</td><td style="text-align: right;">97</td></tr> </table>	1:	9.7	⬇	2:	10.4	⬇	3:	10.5x	➔	4:	10.3	➔	5:	9.7	➔	6:	10.4	⬇	7:	9.9	⬇	8:	10.2	⬅	9:	10.3	⬅	10:	10.3	➔	Serie		97	Total		97
1:	9.7	⬇																																			
2:	10.4	⬇																																			
3:	10.5x	➔																																			
4:	10.3	➔																																			
5:	9.7	➔																																			
6:	10.4	⬇																																			
7:	9.9	⬇																																			
8:	10.2	⬅																																			
9:	10.3	⬅																																			
10:	10.3	➔																																			
Serie		97																																			
Total		97																																			

<p>20 Skud</p>	<table style="width:100%; border-collapse: collapse;"> <tr><td style="width:5%;">11:</td><td style="width:15%;">9.7</td><td style="width:5%;">➔</td></tr> <tr><td>12:</td><td>10.5</td><td>⬇</td></tr> <tr><td>13:</td><td>10.7x</td><td>⬇</td></tr> <tr><td>14:</td><td>9.6</td><td>⬇</td></tr> <tr><td>15:</td><td>10.3</td><td>➔</td></tr> <tr><td>16:</td><td>10.5x</td><td>⬇</td></tr> <tr><td>17:</td><td>10.0</td><td>➔</td></tr> <tr><td>18:</td><td>10.8x</td><td>⬇</td></tr> <tr><td>19:</td><td>10.2</td><td>⬇</td></tr> <tr><td>20:</td><td>10.0</td><td>⬇</td></tr> <tr><td colspan="2">Serie</td><td style="text-align: right;">98</td></tr> <tr><td colspan="2">Total</td><td style="text-align: right;">195</td></tr> </table>	11:	9.7	➔	12:	10.5	⬇	13:	10.7x	⬇	14:	9.6	⬇	15:	10.3	➔	16:	10.5x	⬇	17:	10.0	➔	18:	10.8x	⬇	19:	10.2	⬇	20:	10.0	⬇	Serie		98	Total		195
11:	9.7	➔																																			
12:	10.5	⬇																																			
13:	10.7x	⬇																																			
14:	9.6	⬇																																			
15:	10.3	➔																																			
16:	10.5x	⬇																																			
17:	10.0	➔																																			
18:	10.8x	⬇																																			
19:	10.2	⬇																																			
20:	10.0	⬇																																			
Serie		98																																			
Total		195																																			



1: 9.9 ↓	6: 10.1 ↘	Serie	91
2: 10.3 ↗	7: 8.5 ↓		
3: 10.0 ↗	8: 9.9 ↗	Total	0
4: 8.8 ↓	9: 9.1 ↓		
5: 9.6 ←	10: 9.7 ←		

11: 9.8 ↓	Serie	38
12: 10.0 →		
13: 9.6 ↓	Total	0
14: 10.3 ↘		



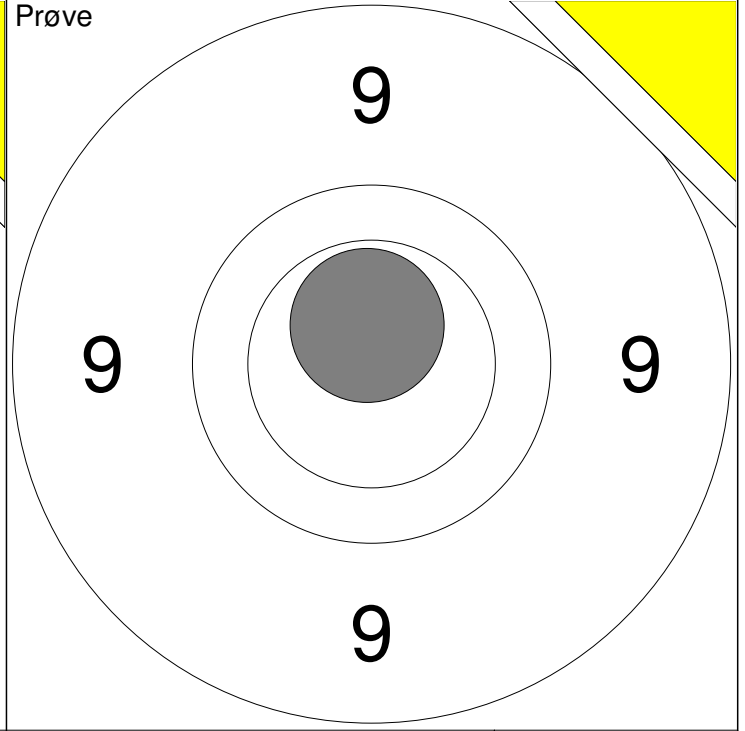
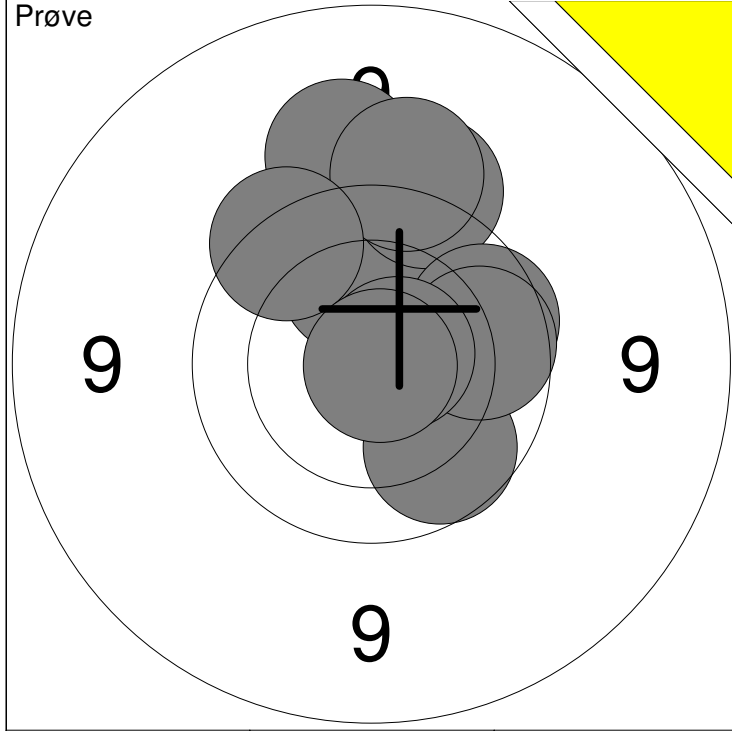
1: 9.1 →	6: 10.3 ↓	Serie	91
2: 8.9 →	7: 9.2 ↓		
3: 9.3 →	8: 9.2 ←	Total	91
4: 10.6x ↘	9: 9.0 ↓		
5: 9.8 ←	10: 9.9 ↗		

11: 9.7 ↗	16: 8.6 ←	Serie	92
12: 10.0 ←	17: 9.9 ↓		
13: 9.6 →	18: 9.6 ↓	Total	183
14: 9.0 ↓	19: 9.0 →		
15: 10.2 ↗	20: 10.6x ↘		

<p>Prøve</p>	<table style="width:100%; border-collapse: collapse;"> <tr><td style="width:10%;">1:</td><td style="width:80%;">9.0</td><td style="width:10%; text-align: right;">→</td></tr> <tr><td>2:</td><td>9.6</td><td style="text-align: right;">↓</td></tr> <tr><td>3:</td><td>9.3</td><td style="text-align: right;">→</td></tr> <tr><td>4:</td><td>9.7</td><td style="text-align: right;">→</td></tr> <tr><td>5:</td><td>9.7</td><td style="text-align: right;">↓</td></tr> <tr><td>6:</td><td>10.2</td><td style="text-align: right;">↓</td></tr> <tr><td>7:</td><td>10.7x</td><td style="text-align: right;">↗</td></tr> <tr><td>8:</td><td>10.3</td><td style="text-align: right;">↓</td></tr> </table> <table border="1" style="width:100%; border-collapse: collapse; margin-top: 5px;"> <tr> <td style="width:90%;">Serie</td> <td style="text-align: right;">75</td> </tr> <tr> <td>Total</td> <td style="text-align: right;">0</td> </tr> </table>	1:	9.0	→	2:	9.6	↓	3:	9.3	→	4:	9.7	→	5:	9.7	↓	6:	10.2	↓	7:	10.7x	↗	8:	10.3	↓	Serie	75	Total	0
1:	9.0	→																											
2:	9.6	↓																											
3:	9.3	→																											
4:	9.7	→																											
5:	9.7	↓																											
6:	10.2	↓																											
7:	10.7x	↗																											
8:	10.3	↓																											
Serie	75																												
Total	0																												

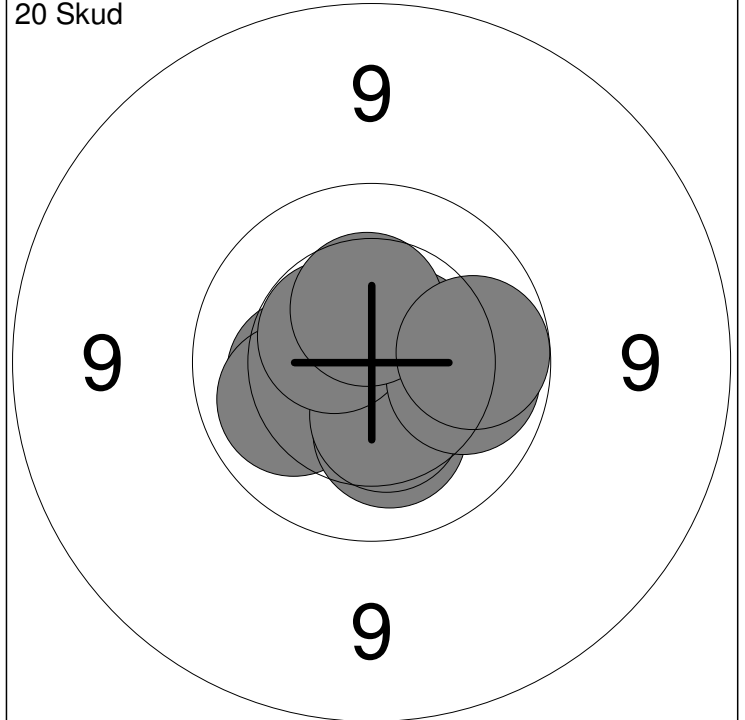
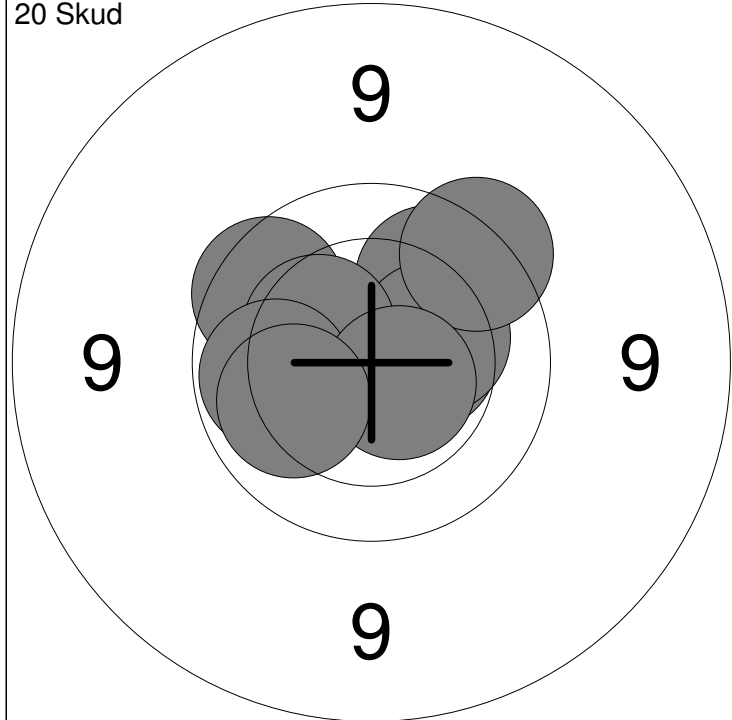
<p>20 Skud</p>	<table style="width:100%; border-collapse: collapse;"> <tr><td style="width:10%;">1:</td><td style="width:80%;">9.7</td><td style="width:10%; text-align: right;">↓</td></tr> <tr><td>2:</td><td>10.5x</td><td style="text-align: right;">↓</td></tr> <tr><td>3:</td><td>10.3</td><td style="text-align: right;">↓</td></tr> <tr><td>4:</td><td>10.4</td><td style="text-align: right;">↙</td></tr> <tr><td>5:</td><td>10.2</td><td style="text-align: right;">↙</td></tr> <tr><td>6:</td><td>10.0</td><td style="text-align: right;">→</td></tr> <tr><td>7:</td><td>9.6</td><td style="text-align: right;">←</td></tr> <tr><td>8:</td><td>10.3</td><td style="text-align: right;">↗</td></tr> <tr><td>9:</td><td>10.5</td><td style="text-align: right;">↑</td></tr> <tr><td>10:</td><td>10.3</td><td style="text-align: right;">↓</td></tr> </table> <table border="1" style="width:100%; border-collapse: collapse; margin-top: 5px;"> <tr> <td style="width:90%;">Serie</td> <td style="text-align: right;">98</td> </tr> <tr> <td>Total</td> <td style="text-align: right;">98</td> </tr> </table>	1:	9.7	↓	2:	10.5x	↓	3:	10.3	↓	4:	10.4	↙	5:	10.2	↙	6:	10.0	→	7:	9.6	←	8:	10.3	↗	9:	10.5	↑	10:	10.3	↓	Serie	98	Total	98
1:	9.7	↓																																	
2:	10.5x	↓																																	
3:	10.3	↓																																	
4:	10.4	↙																																	
5:	10.2	↙																																	
6:	10.0	→																																	
7:	9.6	←																																	
8:	10.3	↗																																	
9:	10.5	↑																																	
10:	10.3	↓																																	
Serie	98																																		
Total	98																																		

<p>20 Skud</p>	<table style="width:100%; border-collapse: collapse;"> <tr><td style="width:10%;">11:</td><td style="width:80%;">10.5x</td><td style="width:10%; text-align: right;">↓</td></tr> <tr><td>12:</td><td>10.8x</td><td style="text-align: right;">↓</td></tr> <tr><td>13:</td><td>10.7x</td><td style="text-align: right;">↗</td></tr> <tr><td>14:</td><td>8.9</td><td style="text-align: right;">←</td></tr> <tr><td>15:</td><td>10.6x</td><td style="text-align: right;">↓</td></tr> <tr><td>16:</td><td>9.3</td><td style="text-align: right;">←</td></tr> <tr><td>17:</td><td>10.1</td><td style="text-align: right;">↗</td></tr> <tr><td>18:</td><td>10.6x</td><td style="text-align: right;">→</td></tr> <tr><td>19:</td><td>10.5</td><td style="text-align: right;">→</td></tr> <tr><td>20:</td><td>10.1</td><td style="text-align: right;">→</td></tr> </table> <table border="1" style="width:100%; border-collapse: collapse; margin-top: 5px;"> <tr> <td style="width:90%;">Serie</td> <td style="text-align: right;">97</td> </tr> <tr> <td>Total</td> <td style="text-align: right;">195</td> </tr> </table>	11:	10.5x	↓	12:	10.8x	↓	13:	10.7x	↗	14:	8.9	←	15:	10.6x	↓	16:	9.3	←	17:	10.1	↗	18:	10.6x	→	19:	10.5	→	20:	10.1	→	Serie	97	Total	195
11:	10.5x	↓																																	
12:	10.8x	↓																																	
13:	10.7x	↗																																	
14:	8.9	←																																	
15:	10.6x	↓																																	
16:	9.3	←																																	
17:	10.1	↗																																	
18:	10.6x	→																																	
19:	10.5	→																																	
20:	10.1	→																																	
Serie	97																																		
Total	195																																		



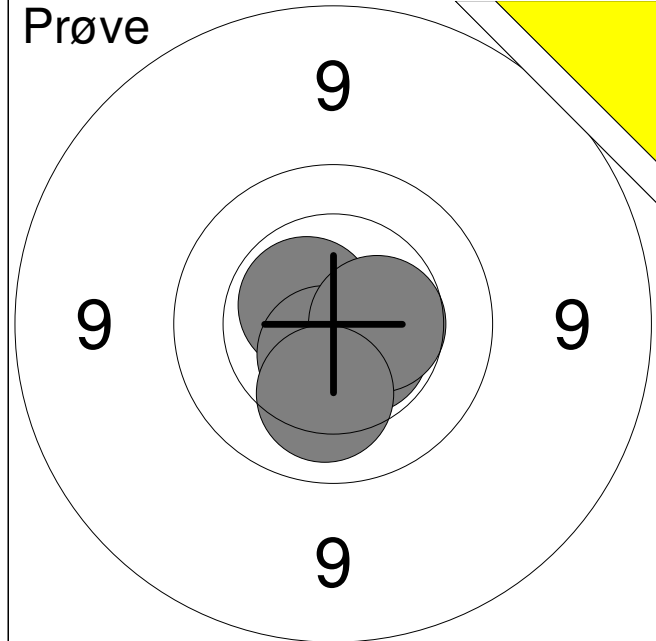
1: 9.3 ↑	6: 9.9 →	Serie 93
2: 10.1 ↑	7: 9.4 ↑	
3: 9.5 ↑	8: 10.7x →	Total 0
4: 9.9 →	9: 9.7 ↖	
5: 9.9 ↓	10: 10.9x →	

11: 10.6x ↑	Serie 10
	Total 0

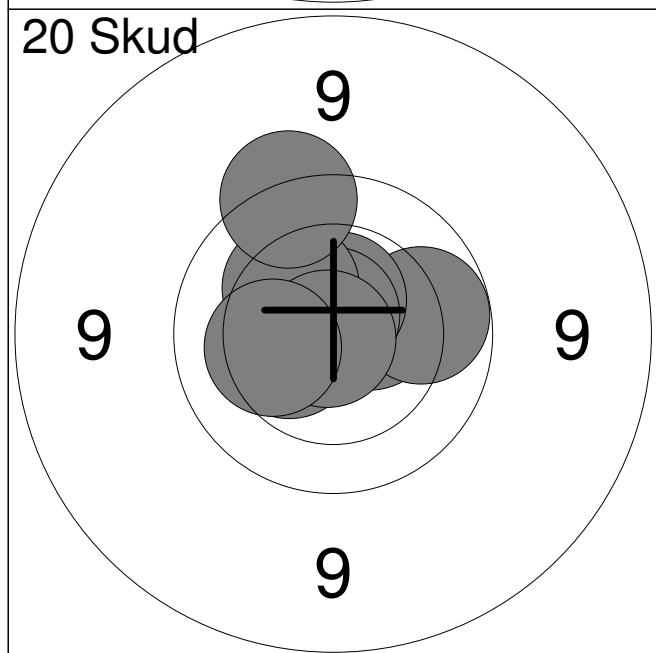


1: 10.5 →	6: 10.4 ↖	Serie 98
2: 10.6x ↖	7: 10.0 ←	
3: 10.0 ↗	8: 9.7 ↗	Total 98
4: 10.3 →	9: 10.6x ↘	
5: 9.8 ↖	10: 10.1 ←	

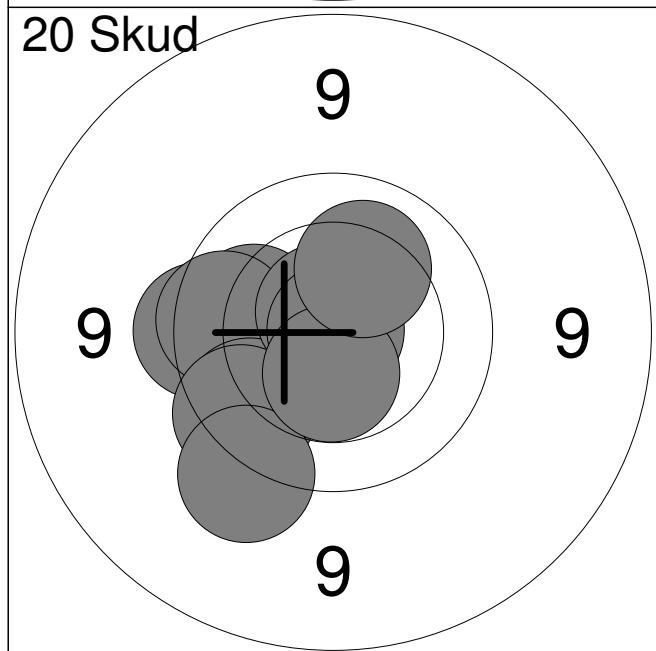
11: 10.3 ←	16: 10.4 ↓	Serie 100
12: 10.7x ↓	17: 10.5x ↖	
13: 10.1 ←	18: 10.0 →	Total 198
14: 10.3 ↓	19: 10.4 ↑	
15: 10.6x ↗	20: 10.0 →	



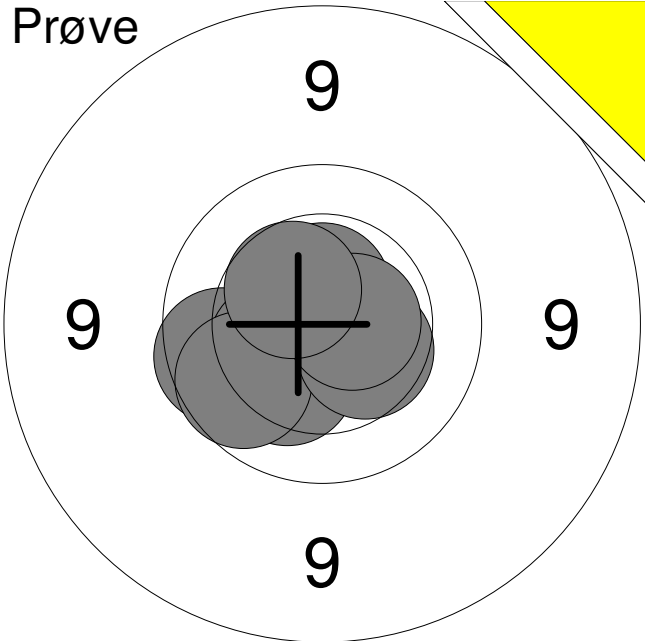
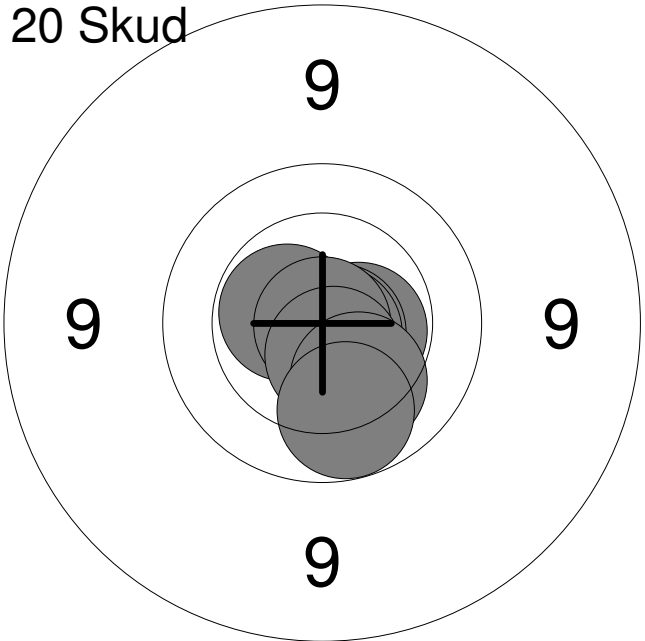
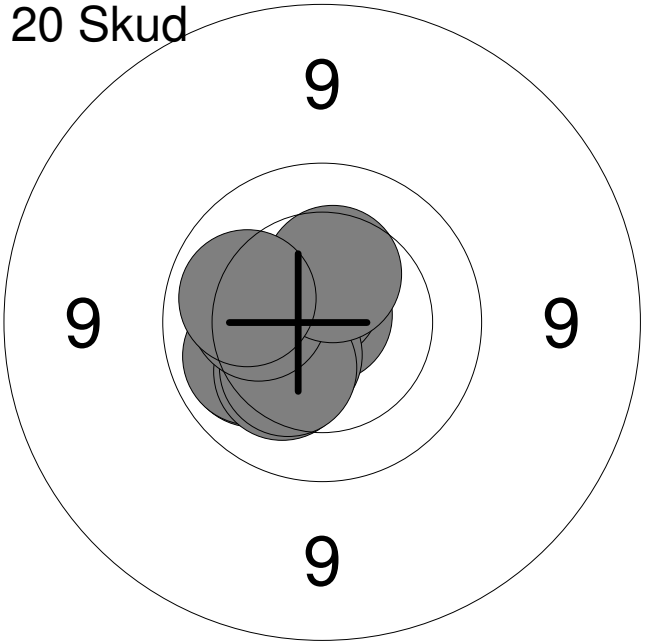
1:	10.6x	↖
2:	10.6x	↘
3:	10.6x	↓
4:	10.5	→
5:	10.2	↓
Serie		50
Total		0

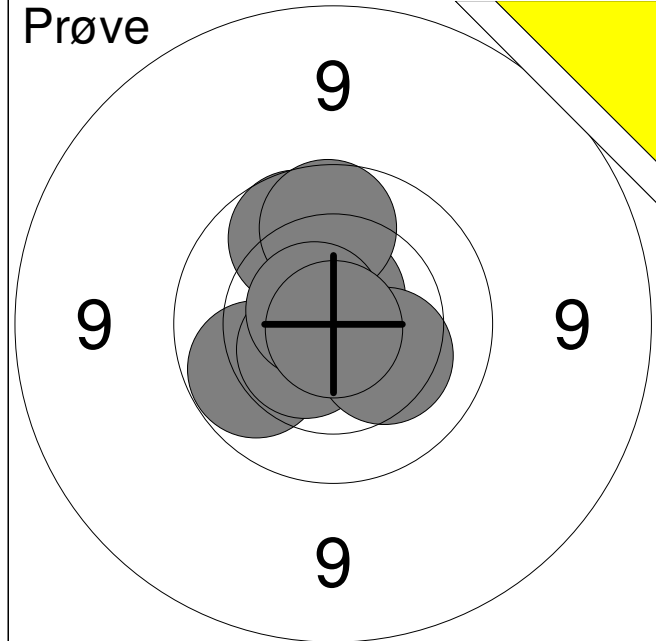


1:	10.5x	↗
2:	10.0	→
3:	10.6x	↑
4:	10.6x	↖
5:	10.4	←
6:	10.7x	↑
7:	10.3	↖
8:	9.6	↑
9:	10.9x	↙
10:	10.3	←
Serie		99
Total		99

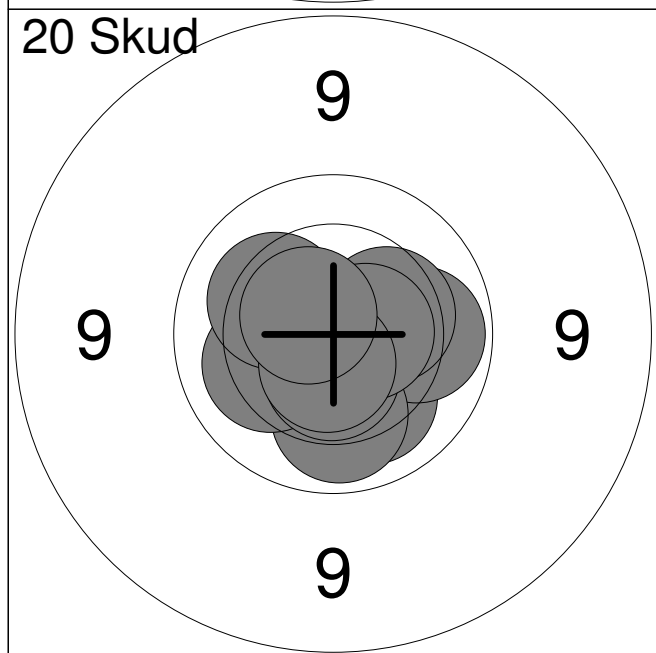


11:	9.7	←
12:	10.1	←
13:	9.8	←
14:	9.8	↙
15:	9.7	↙
16:	10.7x	↑
17:	9.5	↘
18:	10.9x	↗
19:	10.5x	↓
20:	10.2	↗
Serie		95
Total		194

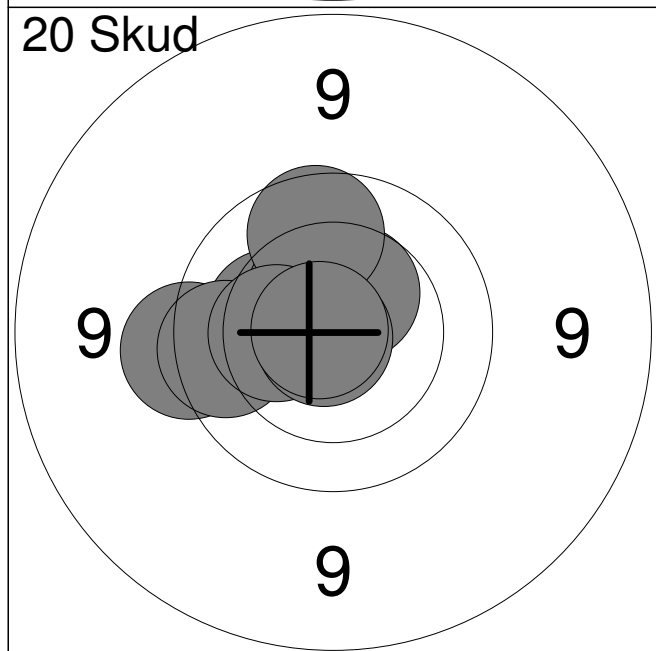
Hold	Skive	Isabella Bonde		
68	2	Vodskov Skytteforening		BK1
02.02.2018	Nordjysk mesterskab 2018		Aalborg Skyttekreds	
Prøve		1:	9.9	←
		2:	10.4	←
		3:	10.2	↙
		4:	10.3	↙
		5:	9.9	←
		6:	10.6x	↑
		7:	10.4	↘
		8:	10.6x	→
		9:	10.5	↗
		Serie	88	
		Total	0	
20 Skud		1:	10.5x	↘
		2:	10.5x	←
		3:	10.6x	↘
		4:	10.5x	→
		5:	10.8x	↘
		6:	10.8x	↘
		7:	10.9x	↘
		8:	10.6x	↘
		9:	10.2	↘
		10:	10.0	↘
		Serie	100	
		Total	100	
20 Skud		11:	10.1	←
		12:	10.9x	↑
		13:	10.1	←
		14:	10.3	↙
		15:	10.6x	↑
		16:	10.5	↙
		17:	10.3	↙
		18:	10.2	←
		19:	10.4	↑
		20:	10.1	←
		Serie	100	
		Total	200	



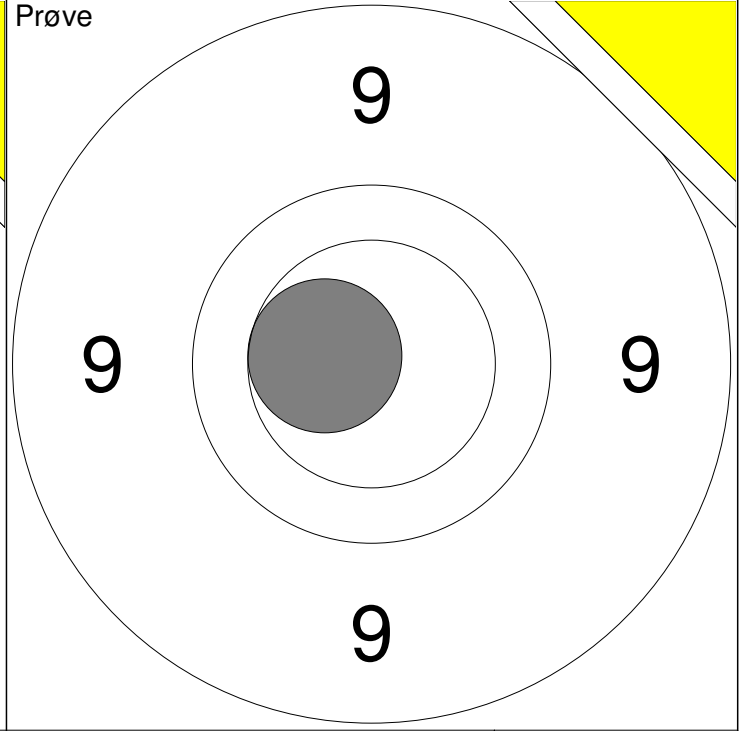
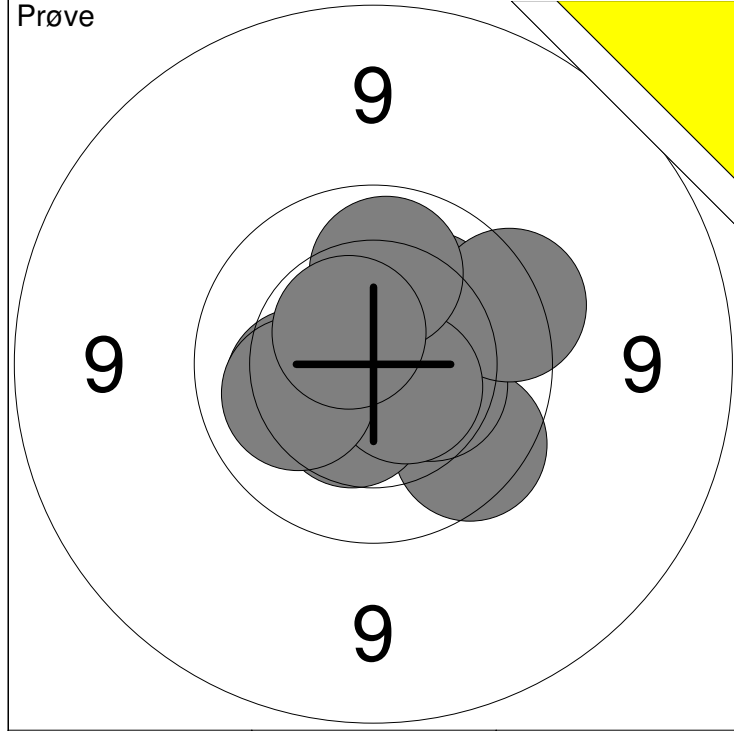
1:	10.0	↙
2:	10.5	↑
3:	10.5x	↙
4:	10.7x	↑
5:	9.9	↑
6:	9.9	↑
7:	10.7x	↗
8:	10.3	↘
9:	10.9x	↓
Serie		88
Total		0



1:	10.2	↘
2:	10.0	→
3:	10.1	↓
4:	10.2	←
5:	10.5x	↓
6:	10.3	→
7:	10.6x	→
8:	10.2	↖
9:	10.6x	↓
10:	10.6x	↗
Serie		100
Total		100

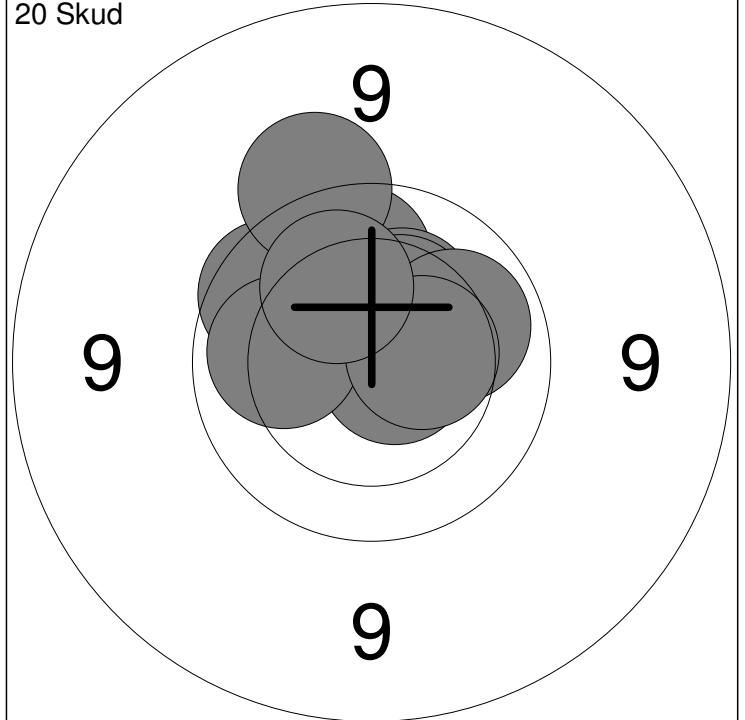
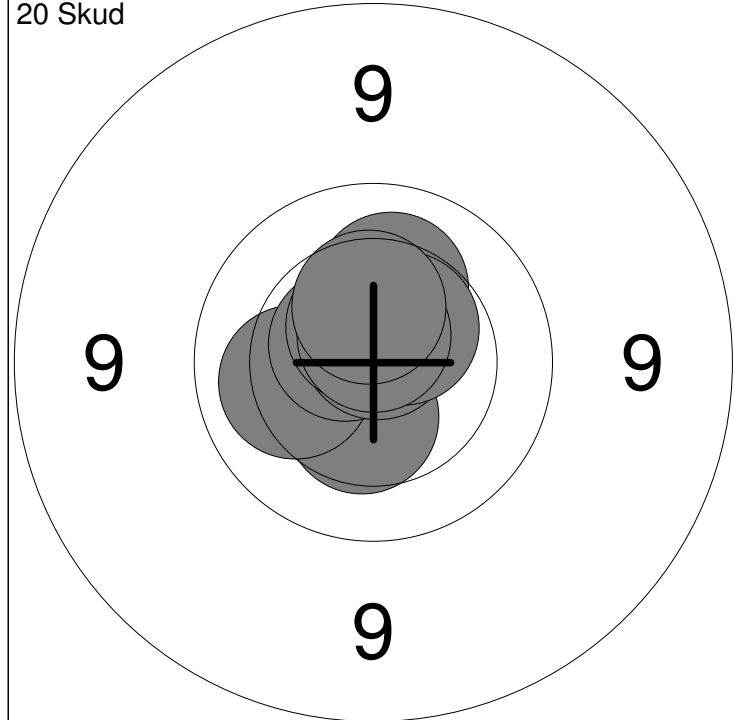


11:	10.7x	←
12:	10.3	←
13:	9.6	←
14:	10.5x	↗
15:	10.5	↗
16:	9.8	←
17:	9.9	↑
18:	10.3	←
19:	10.8x	↙
20:	10.8x	←
Serie		97
Total		197



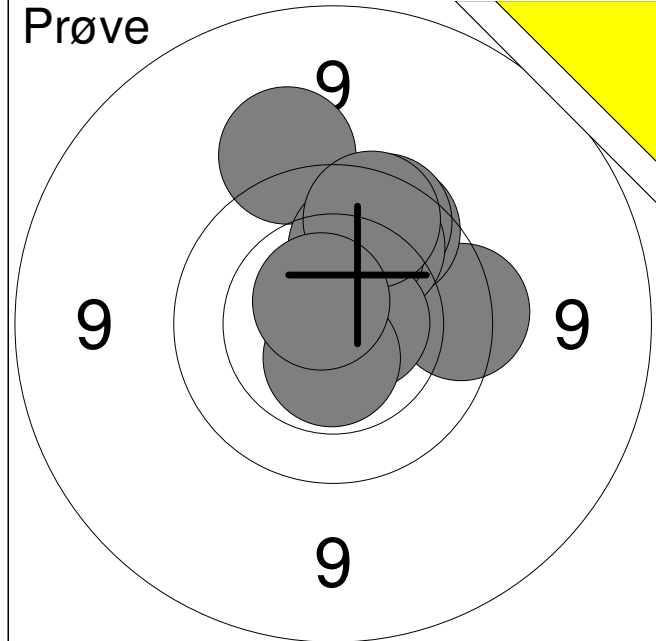
1: 10.2 ↗	6: 10.2 ←	Serie	98
2: 9.8 ↘	7: 10.6x ↘		
3: 10.4 →	8: 10.1 ↑	Total	0
4: 9.7 ↗	9: 10.2 ←		
5: 10.4 ↙	10: 10.6x ↖		

11: 10.5 ←		Serie	10
		Total	0

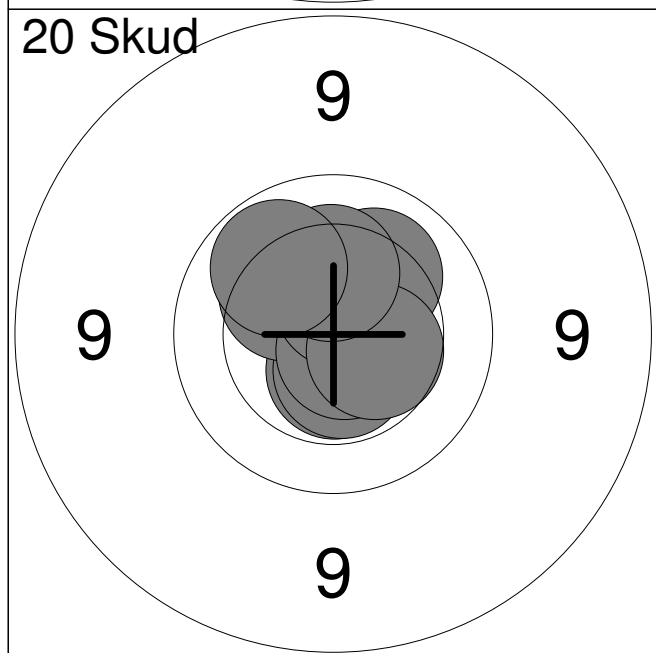


1: 10.4 ↓	6: 10.2 ↑	Serie	100
2: 10.2 ←	7: 10.6x ↑		
3: 10.6x ↑	8: 10.5x ↗	Total	100
4: 10.6x ↖	9: 10.7x ↑		
5: 10.8x ↑	10: 10.4 ↑		

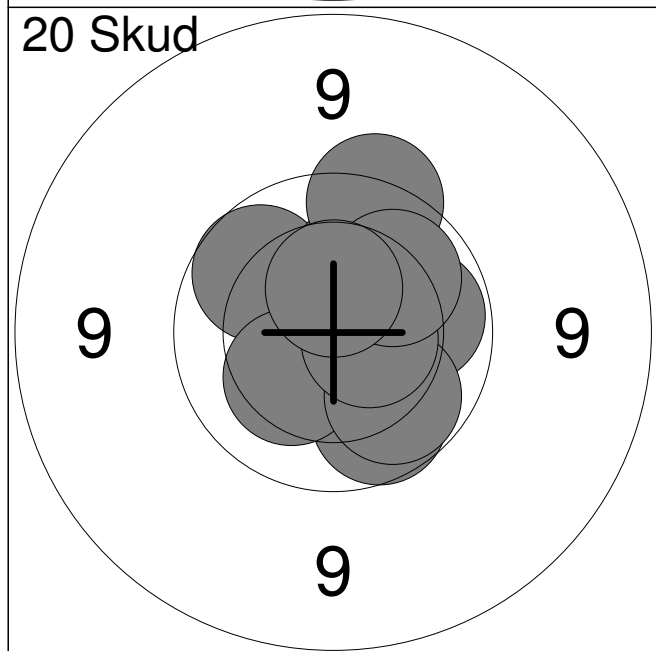
11: 9.9 ↑	16: 10.1 ←	Serie	97
12: 10.3 ↑	17: 10.1 →		
13: 10.4 ↑	18: 9.5 ↑	Total	197
14: 10.7x →	19: 10.4 →		
15: 9.9 ←	20: 10.1 ↑		



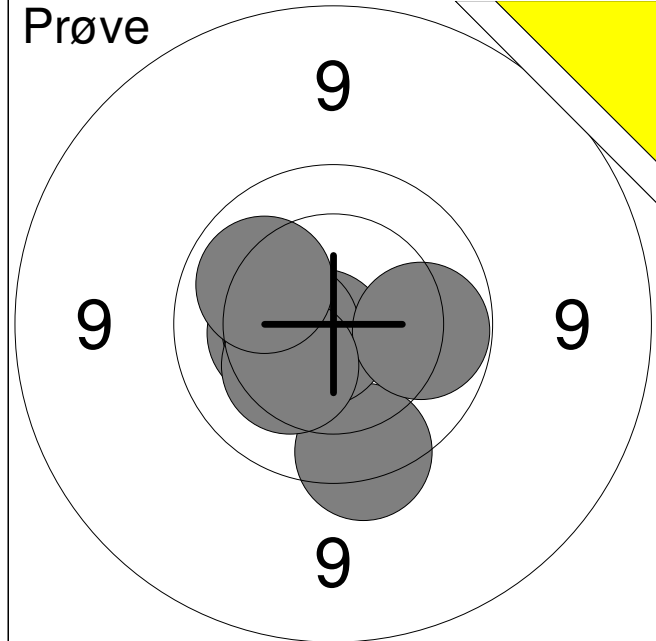
1:	9.7	→
2:	9.8	↗
3:	9.8	↗
4:	10.0	↗
5:	9.4	↑
6:	10.1	↗
7:	10.6x	→
8:	9.8	↗
9:	10.6x	↓
10:	10.7x	↗
Serie		95
Total		0



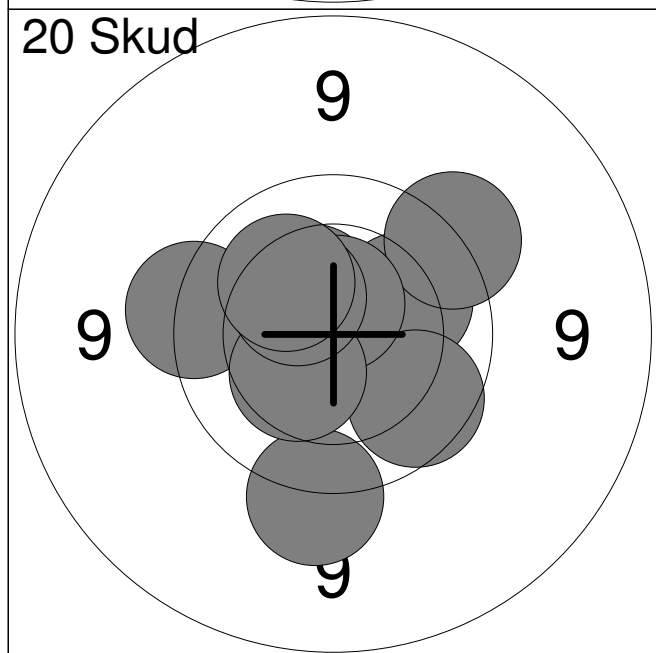
1:	10.6x	↓
2:	10.6x	→
3:	10.5x	↓
4:	10.3	↗
5:	10.7x	↓
6:	10.6x	↑
7:	10.2	↗
8:	10.5	↘
9:	10.3	↑
10:	10.0	↗
Serie		100
Total		100



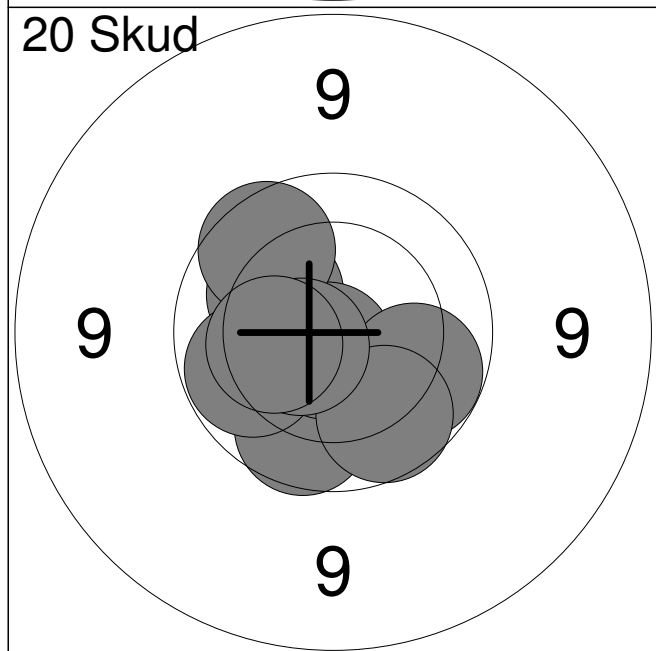
11:	9.9	↗
12:	9.9	↓
13:	10.1	↗
14:	10.3	↙
15:	10.0	→
16:	10.0	↓
17:	10.5x	→
18:	9.7	↑
19:	10.1	↗
20:	10.5	↑
Serie		97
Total		197



1:	9.7	↓
2:	10.7x	↙
3:	10.3	←
4:	10.5	←
5:	10.0	→
6:	10.3	↙
7:	10.1	↖
Serie		69
Total		0

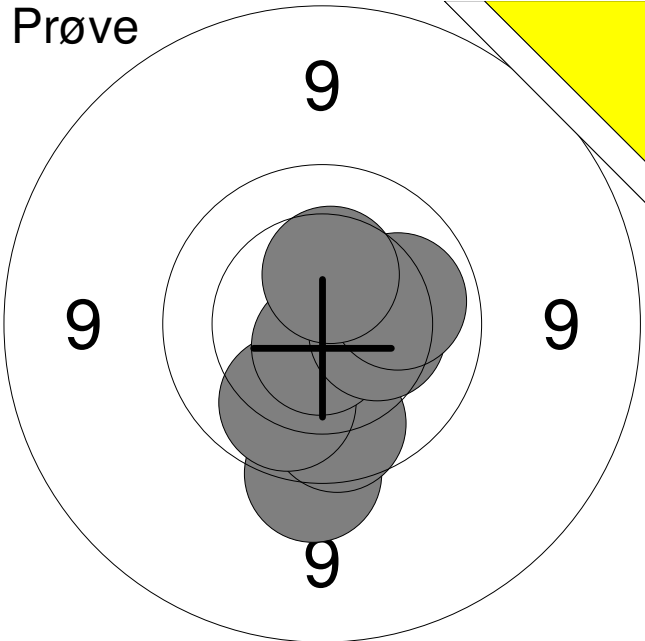


1:	9.5	↓
2:	10.1	→
3:	9.6	←
4:	10.4	↗
5:	9.6	↗
6:	9.9	↘
7:	10.6x	↑
8:	10.4	↙
9:	10.4	↗
10:	10.2	↗
Serie		96
Total		96



11:	10.3	↙
12:	9.9	↓
13:	10.2	↗
14:	10.7x	↘
15:	10.0	↘
16:	9.9	↗
17:	10.0	←
18:	9.9	↘
19:	10.6x	←
20:	10.3	←
Serie		97
Total		193

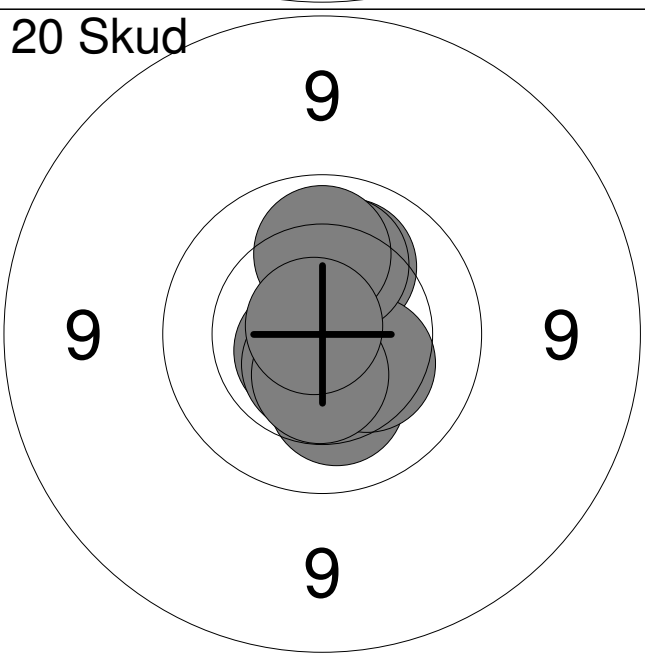
Prøve



1:	9.6	↓
2:	9.9	↓
3:	10.0	↓
4:	10.7x	↓
5:	10.3	→
6:	10.1	→
7:	10.4	↑

Serie	68
Total	0

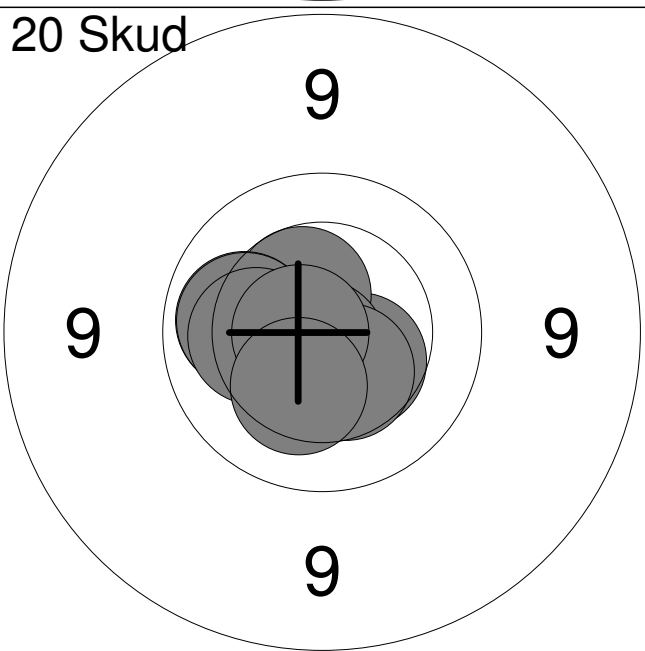
20 Skud



1:	10.2	↓
2:	10.7x	↙
3:	10.5x	↘
4:	10.2	↑
5:	10.4	↘
6:	10.6x	↓
7:	10.2	↑
8:	10.5x	↓
9:	10.1	↑
10:	10.8x	↗

Serie	100
Total	100

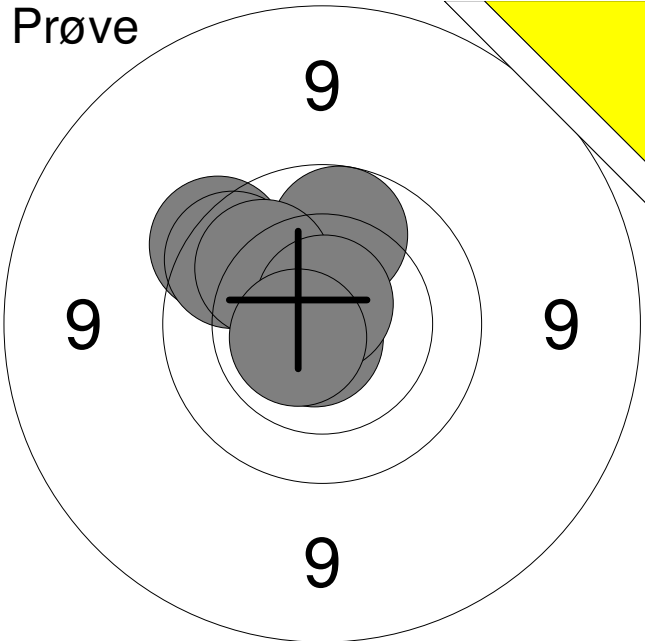
20 Skud



11:	10.7x	↙
12:	10.4	↘
13:	10.5	↗
14:	10.8x	↓
15:	10.1	←
16:	10.4	↘
17:	10.1	←
18:	10.2	←
19:	10.7x	←
20:	10.3	↓

Serie	100
Total	200

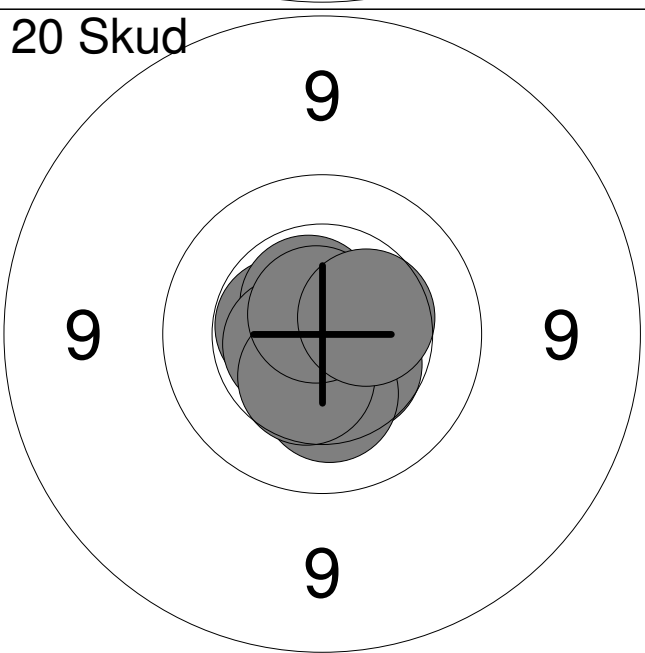
Prøve



1:	9.7	↗
2:	9.8	↗
3:	9.9	↑
4:	10.0	↗
5:	10.8x	↓
6:	10.7x	↑
7:	10.6x	↖

Serie	67
Total	0

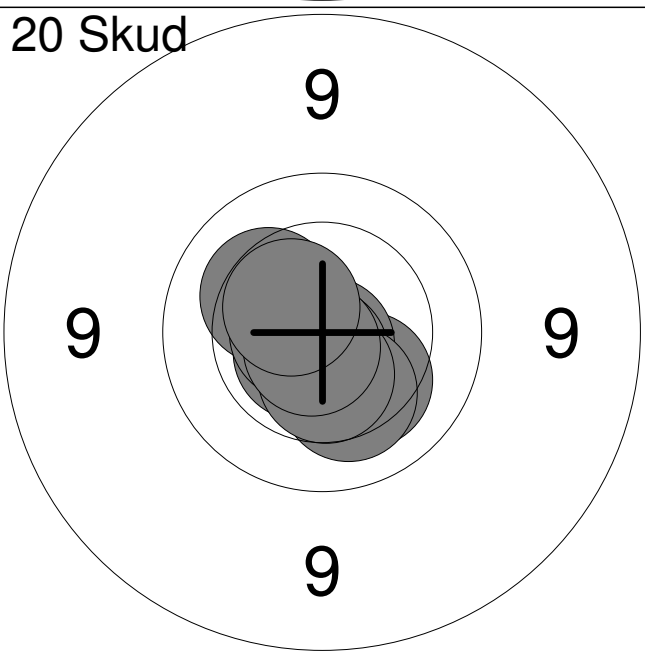
20 Skud



1:	10.5x	↖
2:	10.5	↘
3:	10.8x	→
4:	10.3	↓
5:	10.6x	↑
6:	10.6x	↖
7:	10.8x	↓
8:	10.5	↓
9:	10.7x	↑
10:	10.4	→

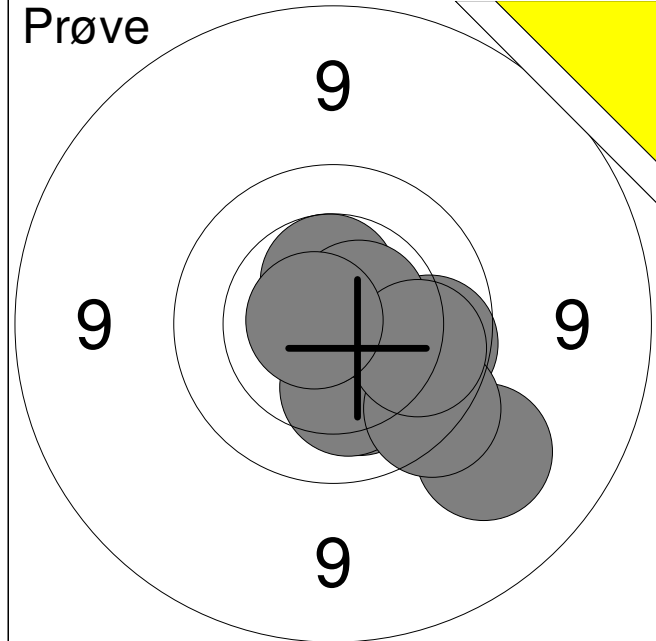
Serie	100
Total	100

20 Skud

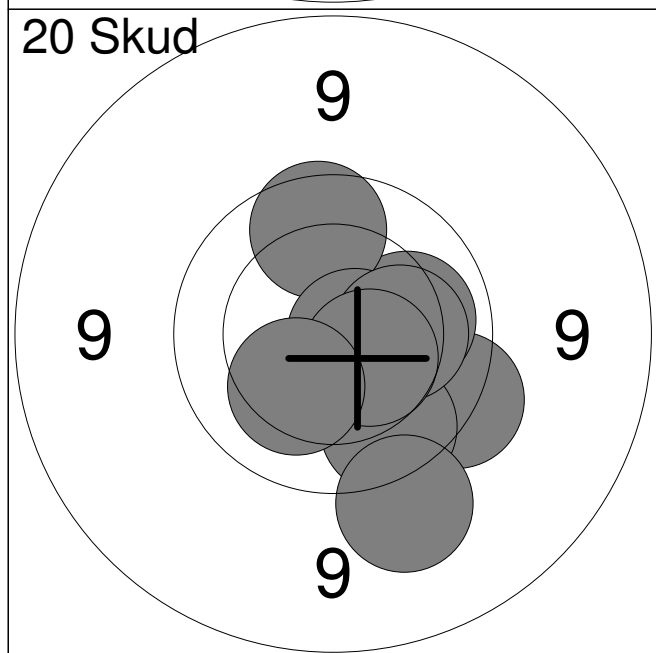


11:	10.6x	↖
12:	10.3	↘
13:	10.8x	↓
14:	10.7x	↓
15:	10.2	↗
16:	10.7x	↖
17:	10.2	↓
18:	10.5	↓
19:	10.7x	↖
20:	10.5x	↗

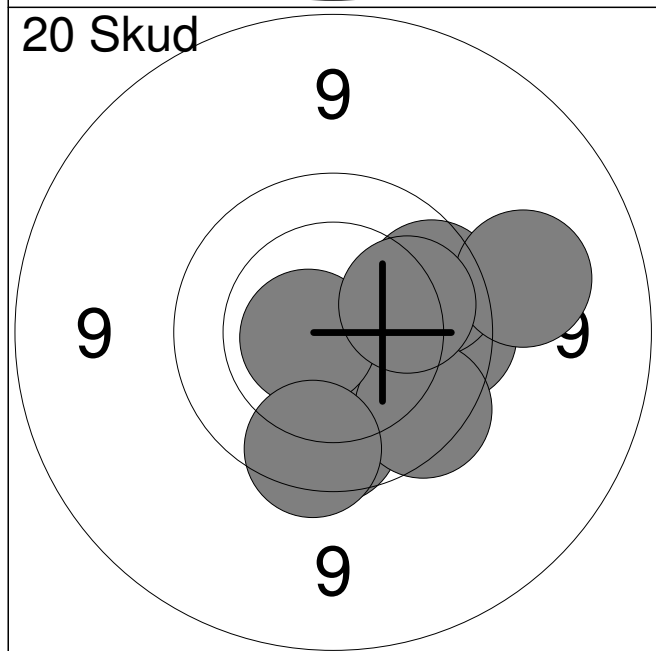
Serie	100
Total	200



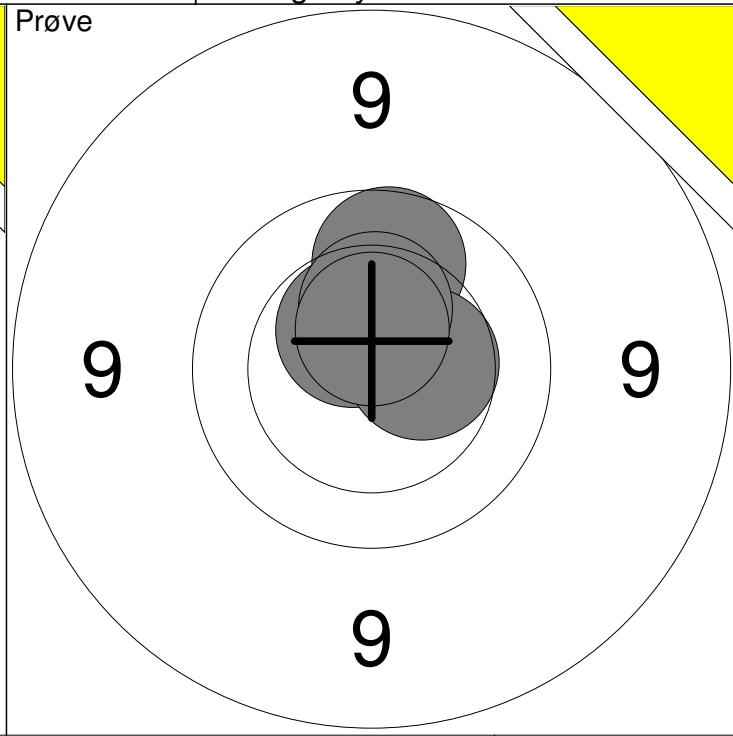
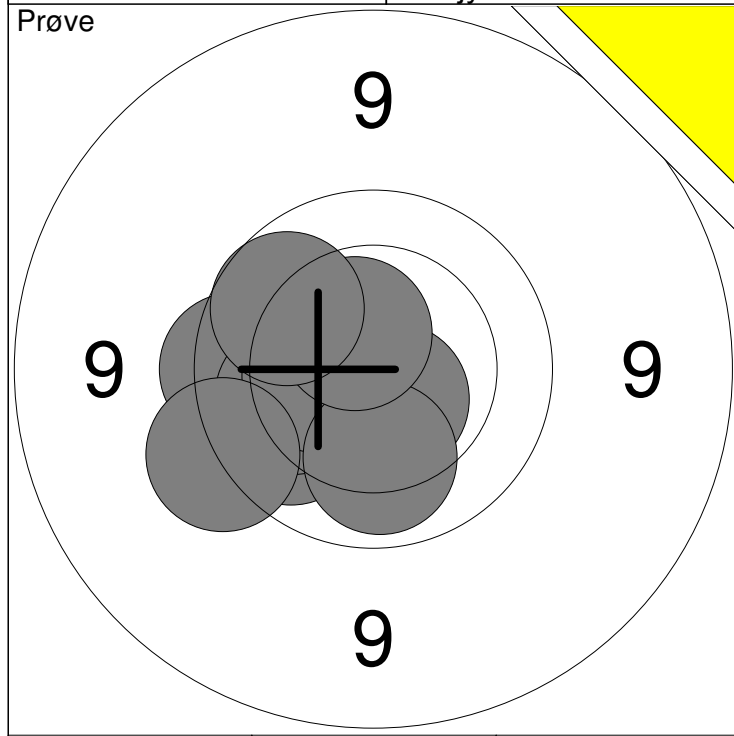
1:	10.2	↘
2:	10.2	↘
3:	10.8x	↖
4:	9.3	↘
5:	10.5	↗
6:	9.9	→
7:	10.6x	↗
8:	9.7	↘
9:	10.0	→
10:	10.7x	↖
Serie		97
Total		0



1:	9.6	↘
2:	10.7x	→
3:	10.1	→
4:	9.8	↘
5:	9.4	↘
6:	9.9	↗
7:	10.7x	→
8:	10.2	→
9:	10.5	↘
10:	10.2	↘
Serie		96
Total		96

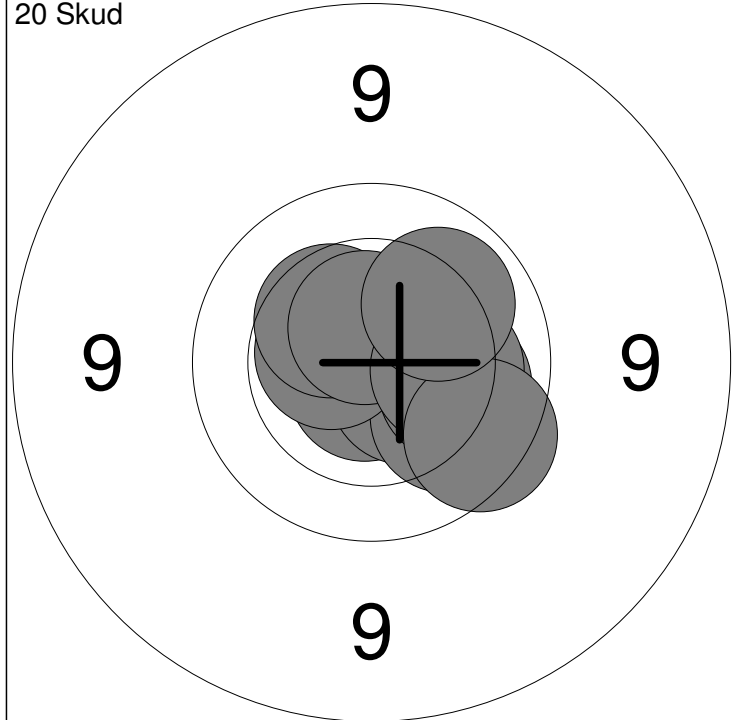
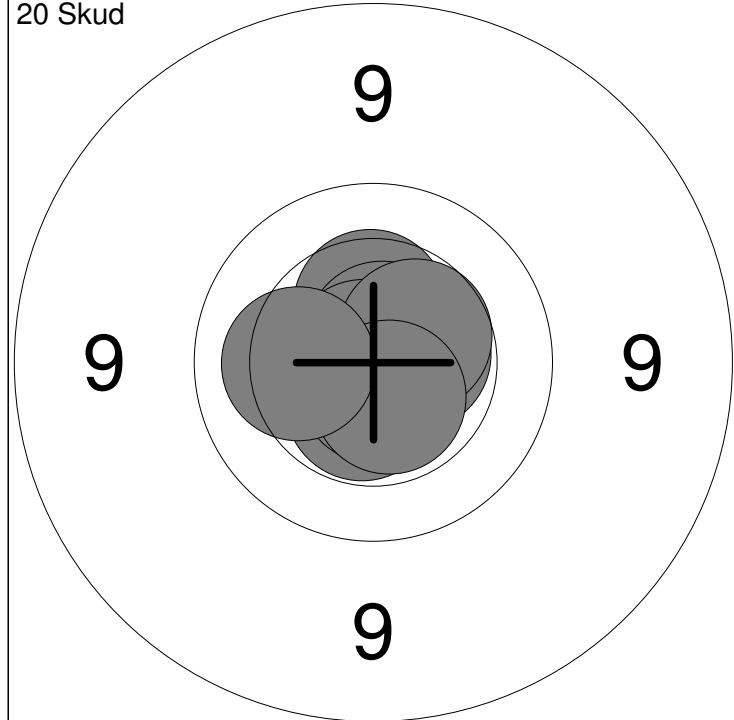


11:	10.7x	↓
12:	9.8	→
13:	10.7x	↘
14:	9.9	↘
15:	9.8	↗
16:	9.8	↘
17:	10.7x	↖
18:	9.3	→
19:	9.8	↘
20:	10.1	→
Serie		94
Total		190



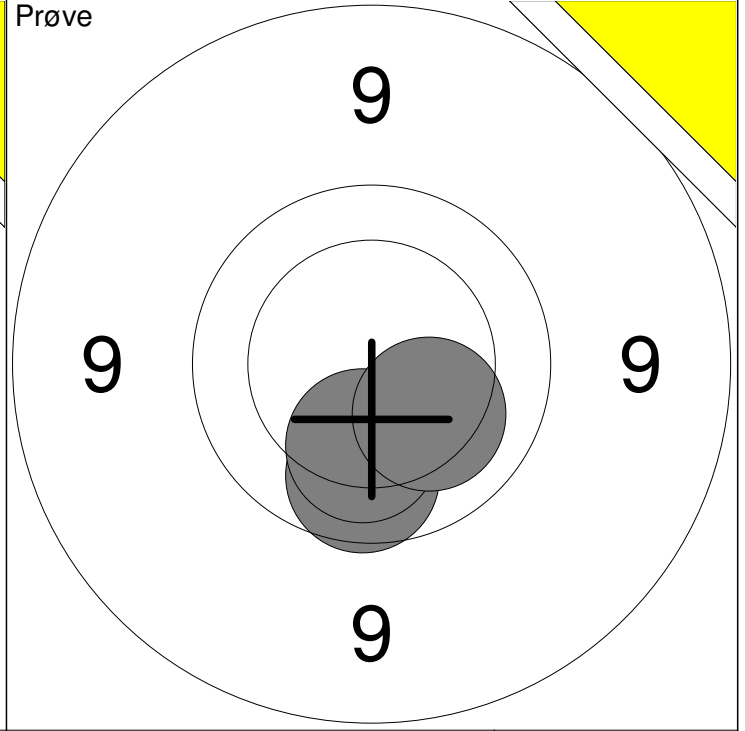
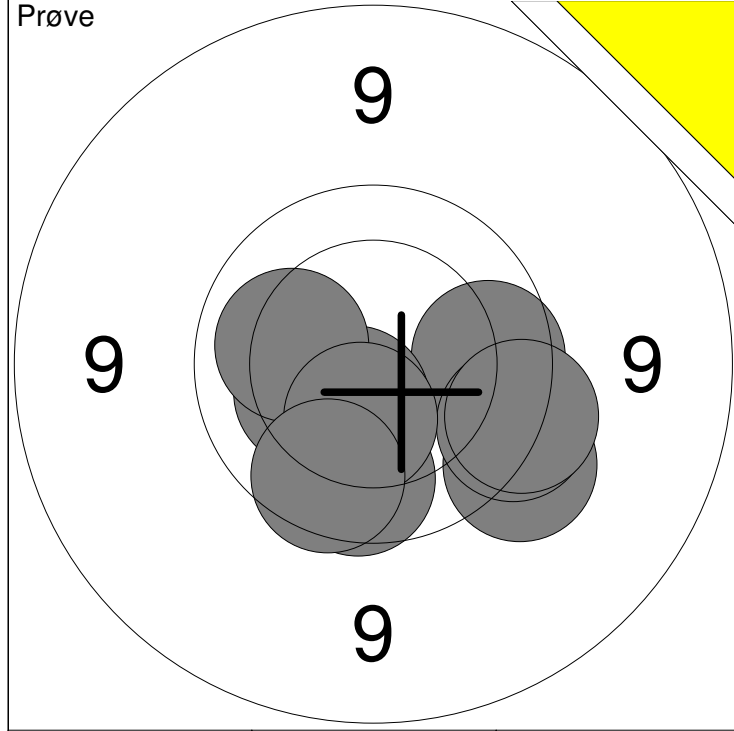
1: 9.8 ←	6: 10.4 ←	Serie	97
2: 10.0 ↙	7: 9.6 ←		
3: 10.7x ↙	8: 10.1 ↓	Total	0
4: 10.1 ←	9: 10.6x ↗		
5: 10.6x ↘	10: 9.9 ↖		

11: 10.5x ↖	Serie	49
12: 9.9 ↑		
13: 10.5 →	Total	0
14: 10.4 ↑		
15: 10.6x ↑		



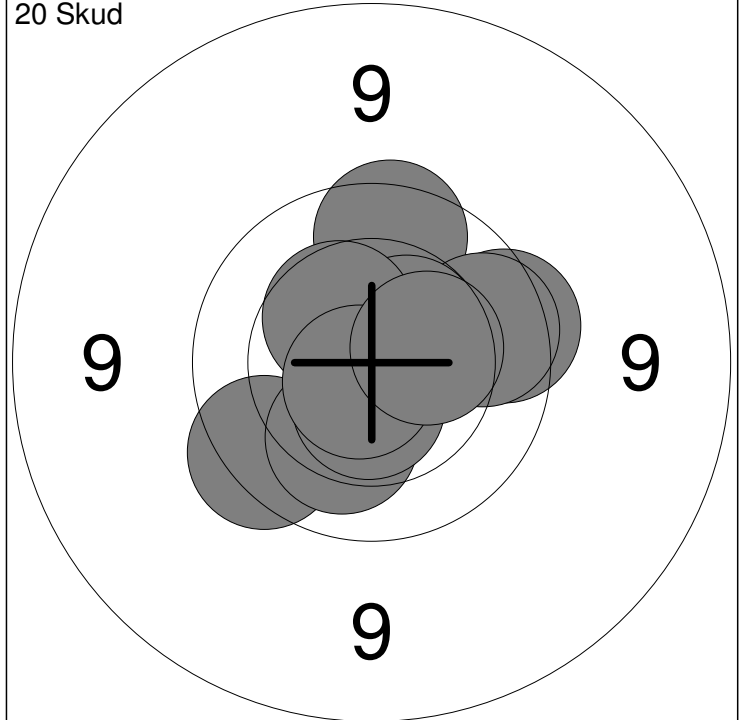
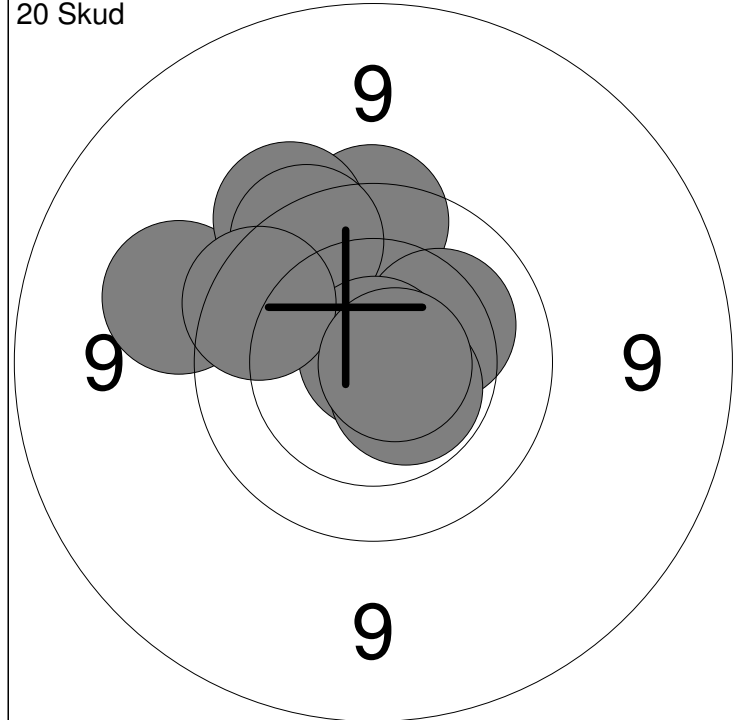
1: 10.5x →	6: 10.7x ↓	Serie	100
2: 10.6x ↗	7: 10.8x ↖		
3: 10.4 ↑	8: 10.5 ↗	Total	100
4: 10.5x ↓	9: 10.6x ↓		
5: 10.7x ↗	10: 10.2 ←		

11: 10.7x ↓	16: 10.4 ↖	Serie	99
12: 10.5x ↘	17: 10.6x ↑		
13: 10.0 ↘	18: 10.2 →	Total	199
14: 10.5x ←	19: 9.8 ↘		
15: 10.1 →	20: 10.1 ↗		



1: 9.9 →	6: 10.5x ↘	Serie	94
2: 9.5 ↘	7: 9.9 ↓		
3: 9.7 ↘	8: 10.1 ←	Total	0
4: 9.6 ↘	9: 10.4 ↓		
5: 10.3 ←	10: 9.8 ↘		

11: 9.9 ↓	Serie	29
12: 10.1 ↓		
13: 10.2 ↘	Total	0



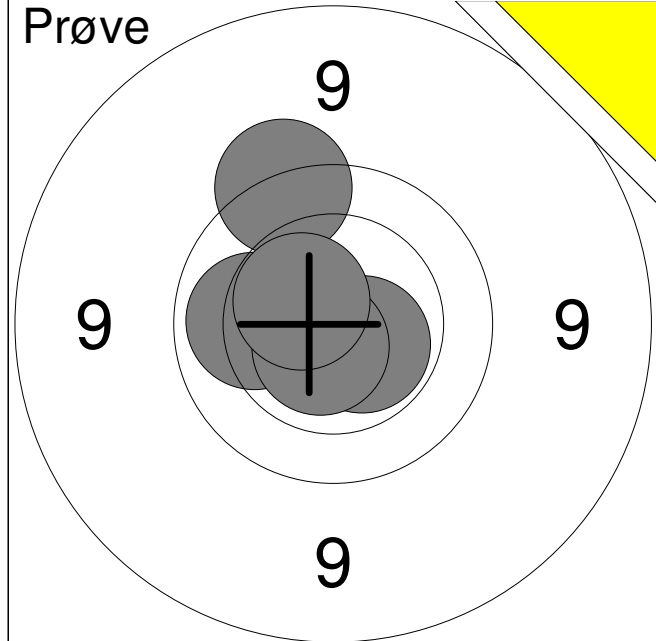
1: 10.6x ↑	6: 10.2 ↗	Serie	95
2: 9.4 ←	7: 10.9x ↑		
3: 9.7 ↑	8: 9.8 ←	Total	95
4: 9.6 ↗	9: 10.5x ↘		
5: 9.7 ↗	10: 10.7x →		

11: 9.8 ↑	16: 10.2 ↓	Serie	96
12: 9.8 →	17: 10.4 ↗		
13: 9.7 ←	18: 10.6x ↓	Total	191
14: 9.9 →	19: 10.7x ↘		
15: 10.5x ↗	20: 10.4 →		

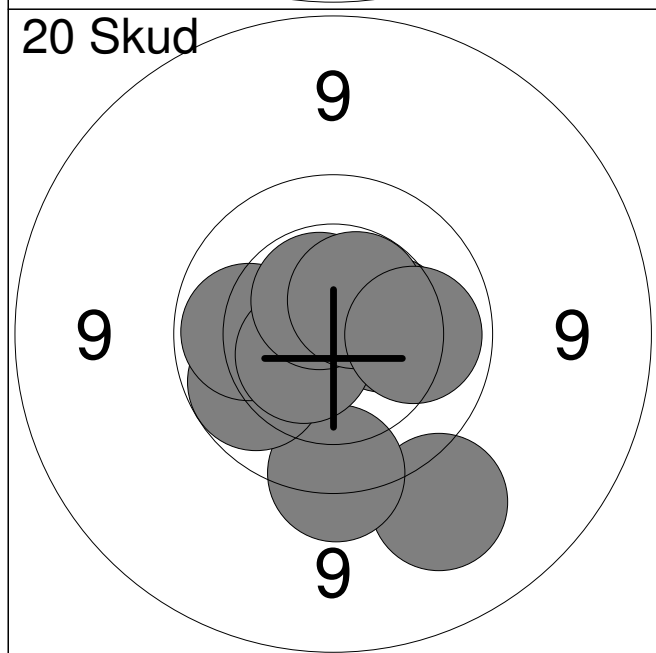
<p>Prøve</p>	<table style="width:100%; border-collapse: collapse;"> <tr><td style="width:5%;">1:</td><td style="width:15%;">9.9</td><td style="width:10%; text-align: right;">↘</td></tr> <tr><td>2:</td><td>9.9</td><td style="text-align: right;">↘</td></tr> <tr><td>3:</td><td>10.0</td><td style="text-align: right;">→</td></tr> <tr><td>4:</td><td>10.4</td><td style="text-align: right;">↗</td></tr> <tr><td>5:</td><td>10.4</td><td style="text-align: right;">↘</td></tr> <tr><td>6:</td><td>10.4</td><td style="text-align: right;">↑</td></tr> <tr><td>7:</td><td>10.5x</td><td style="text-align: right;">←</td></tr> <tr><td>8:</td><td>9.8</td><td style="text-align: right;">↗</td></tr> <tr><td>9:</td><td>10.4</td><td style="text-align: right;">↙</td></tr> <tr><td>10:</td><td>10.3</td><td style="text-align: right;">↑</td></tr> <tr><td colspan="2">Serie</td><td style="text-align: right;">97</td></tr> <tr><td colspan="2">Total</td><td style="text-align: right;">0</td></tr> </table>	1:	9.9	↘	2:	9.9	↘	3:	10.0	→	4:	10.4	↗	5:	10.4	↘	6:	10.4	↑	7:	10.5x	←	8:	9.8	↗	9:	10.4	↙	10:	10.3	↑	Serie		97	Total		0
1:	9.9	↘																																			
2:	9.9	↘																																			
3:	10.0	→																																			
4:	10.4	↗																																			
5:	10.4	↘																																			
6:	10.4	↑																																			
7:	10.5x	←																																			
8:	9.8	↗																																			
9:	10.4	↙																																			
10:	10.3	↑																																			
Serie		97																																			
Total		0																																			

<p>20 Skud</p>	<table style="width:100%; border-collapse: collapse;"> <tr><td style="width:5%;">1:</td><td style="width:15%;">10.4</td><td style="width:10%; text-align: right;">↗</td></tr> <tr><td>2:</td><td>10.6x</td><td style="text-align: right;">↗</td></tr> <tr><td>3:</td><td>10.5x</td><td style="text-align: right;">→</td></tr> <tr><td>4:</td><td>10.3</td><td style="text-align: right;">↗</td></tr> <tr><td>5:</td><td>10.4</td><td style="text-align: right;">↘</td></tr> <tr><td>6:</td><td>9.9</td><td style="text-align: right;">↘</td></tr> <tr><td>7:</td><td>9.8</td><td style="text-align: right;">←</td></tr> <tr><td>8:</td><td>10.5</td><td style="text-align: right;">↘</td></tr> <tr><td>9:</td><td>10.8x</td><td style="text-align: right;">→</td></tr> <tr><td>10:</td><td>10.0</td><td style="text-align: right;">→</td></tr> <tr><td colspan="2">Serie</td><td style="text-align: right;">98</td></tr> <tr><td colspan="2">Total</td><td style="text-align: right;">98</td></tr> </table>	1:	10.4	↗	2:	10.6x	↗	3:	10.5x	→	4:	10.3	↗	5:	10.4	↘	6:	9.9	↘	7:	9.8	←	8:	10.5	↘	9:	10.8x	→	10:	10.0	→	Serie		98	Total		98
1:	10.4	↗																																			
2:	10.6x	↗																																			
3:	10.5x	→																																			
4:	10.3	↗																																			
5:	10.4	↘																																			
6:	9.9	↘																																			
7:	9.8	←																																			
8:	10.5	↘																																			
9:	10.8x	→																																			
10:	10.0	→																																			
Serie		98																																			
Total		98																																			

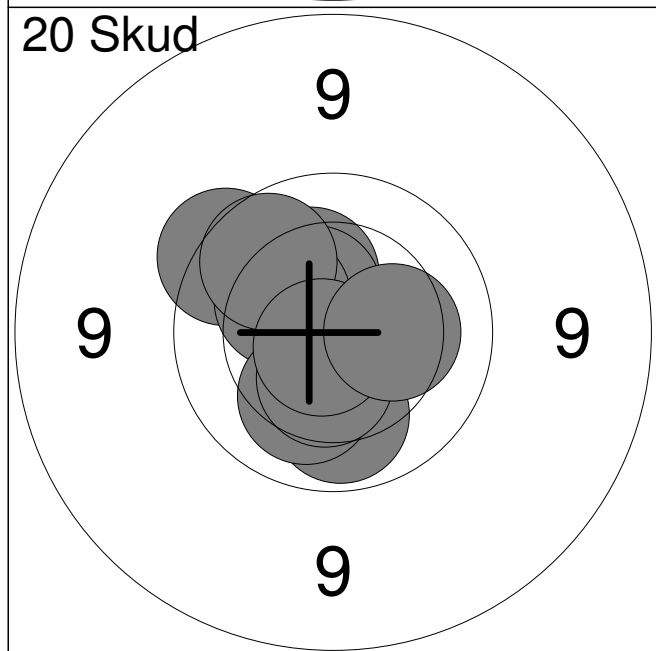
<p>20 Skud</p>	<table style="width:100%; border-collapse: collapse;"> <tr><td style="width:5%;">11:</td><td style="width:15%;">10.4</td><td style="width:10%; text-align: right;">↗</td></tr> <tr><td>12:</td><td>10.6x</td><td style="text-align: right;">→</td></tr> <tr><td>13:</td><td>10.3</td><td style="text-align: right;">→</td></tr> <tr><td>14:</td><td>9.8</td><td style="text-align: right;">↘</td></tr> <tr><td>15:</td><td>10.3</td><td style="text-align: right;">←</td></tr> <tr><td>16:</td><td>10.0</td><td style="text-align: right;">↘</td></tr> <tr><td>17:</td><td>10.3</td><td style="text-align: right;">↘</td></tr> <tr><td>18:</td><td>10.2</td><td style="text-align: right;">←</td></tr> <tr><td>19:</td><td>10.8x</td><td style="text-align: right;">↑</td></tr> <tr><td>20:</td><td>10.7x</td><td style="text-align: right;">↗</td></tr> <tr><td colspan="2">Serie</td><td style="text-align: right;">99</td></tr> <tr><td colspan="2">Total</td><td style="text-align: right;">197</td></tr> </table>	11:	10.4	↗	12:	10.6x	→	13:	10.3	→	14:	9.8	↘	15:	10.3	←	16:	10.0	↘	17:	10.3	↘	18:	10.2	←	19:	10.8x	↑	20:	10.7x	↗	Serie		99	Total		197
11:	10.4	↗																																			
12:	10.6x	→																																			
13:	10.3	→																																			
14:	9.8	↘																																			
15:	10.3	←																																			
16:	10.0	↘																																			
17:	10.3	↘																																			
18:	10.2	←																																			
19:	10.8x	↑																																			
20:	10.7x	↗																																			
Serie		99																																			
Total		197																																			



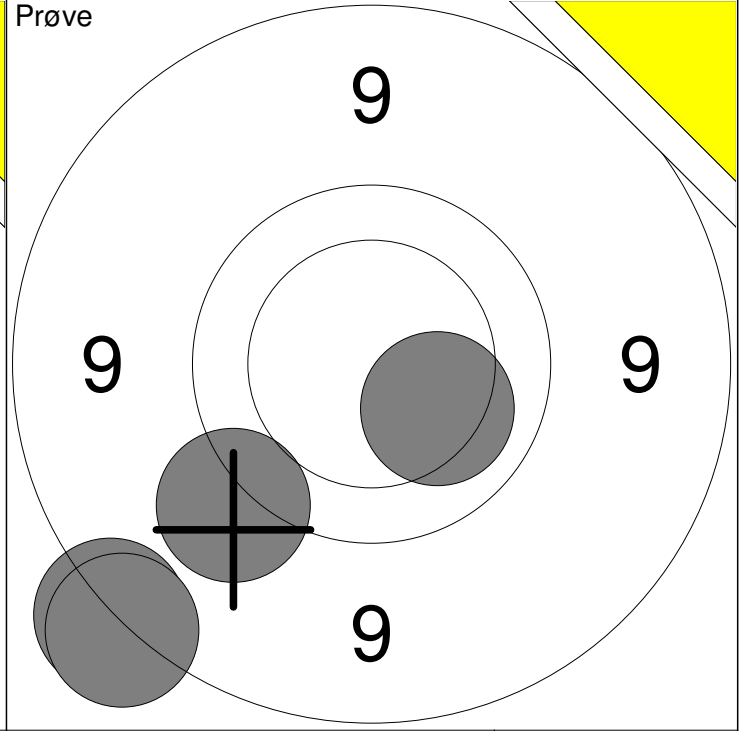
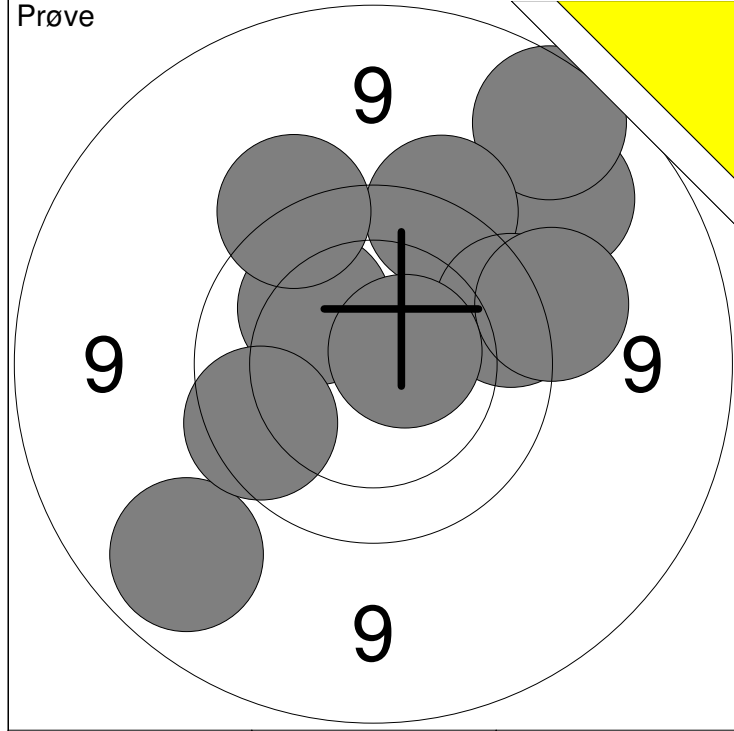
1:	10.6x	↘
2:	10.1	←
3:	9.6	↗
4:	10.7x	↙
5:	10.5x	↖
Serie		49
Total		0



1:	9.3	↘
2:	10.4	←
3:	9.6	↓
4:	9.9	↙
5:	10.4	→
6:	10.0	←
7:	10.6x	↙
8:	10.6x	↗
9:	10.5x	↖
10:	10.1	→
Serie		97
Total		97

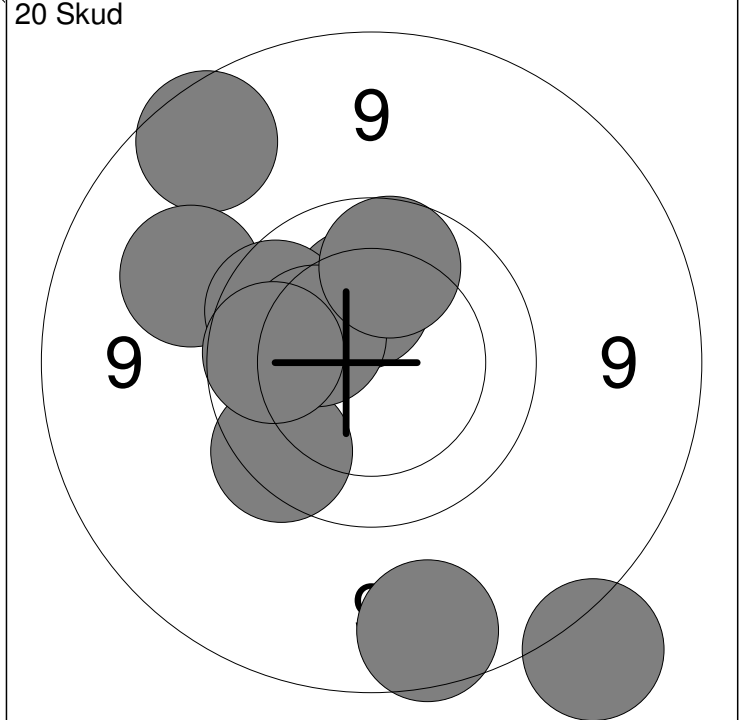
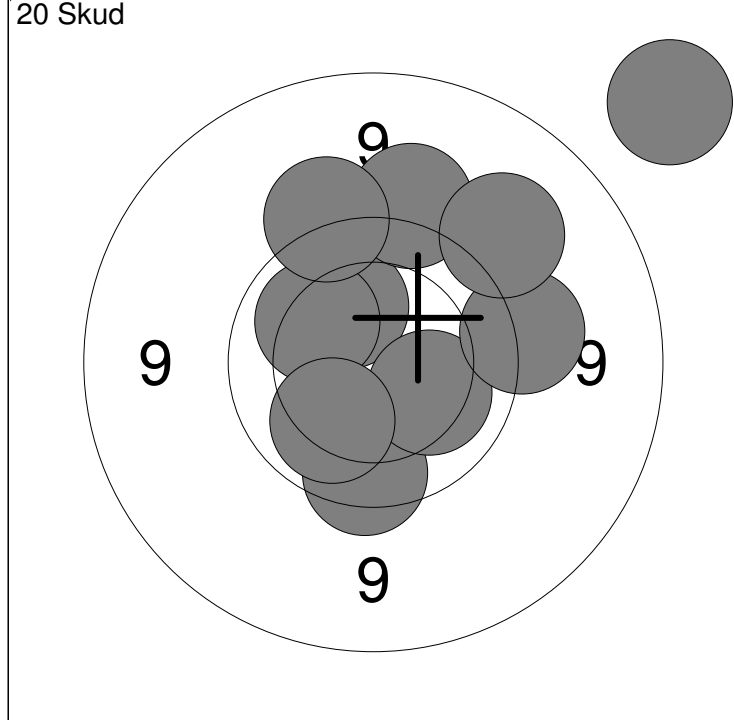


11:	10.3	↗
12:	9.7	↗
13:	10.5	↗
14:	10.3	↗
15:	9.9	↗
16:	10.0	↓
17:	10.2	↓
18:	10.4	↓
19:	10.7x	↙
20:	10.3	→
Serie		98
Total		195



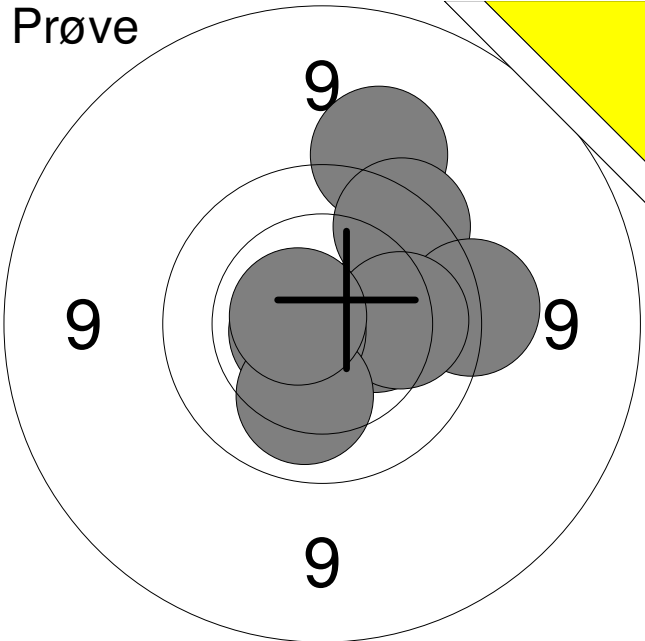
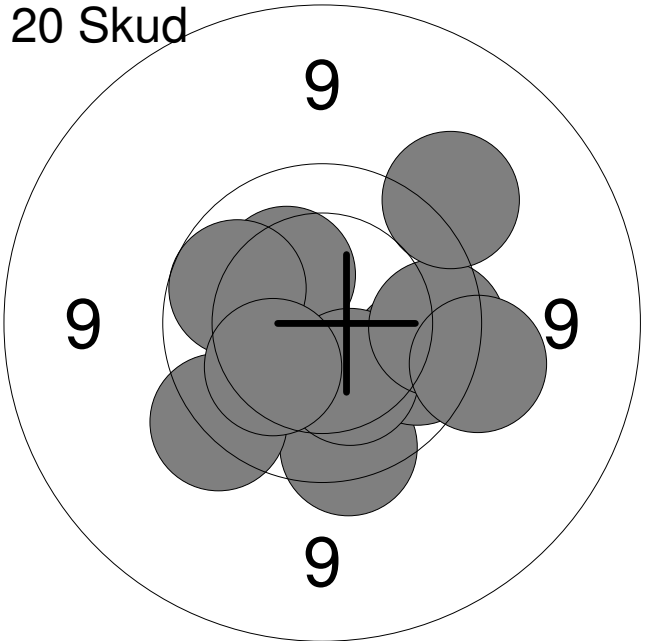
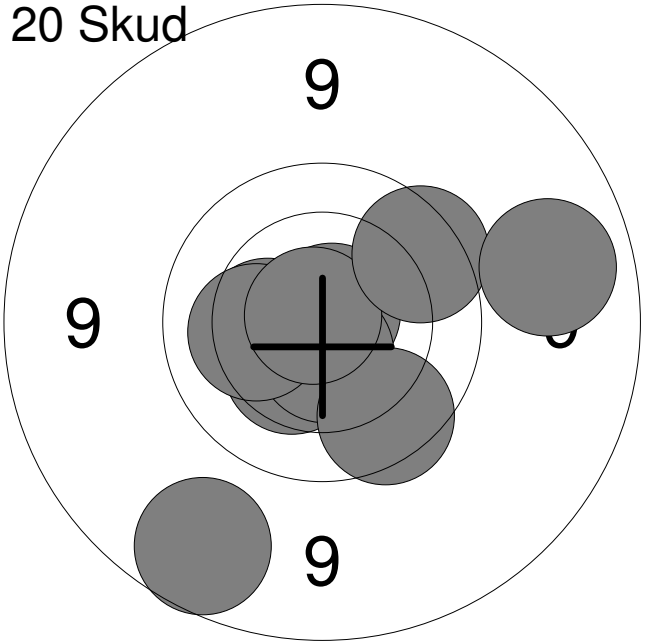
1: 10.2 ↖	6: 9.7 →	Serie	91
2: 9.1 ↗	7: 9.8 ←		
3: 8.9 ↗	8: 9.6 ↖	Total	0
4: 9.6 ↗	9: 9.5 →		
5: 9.0 ↙	10: 10.6x →		

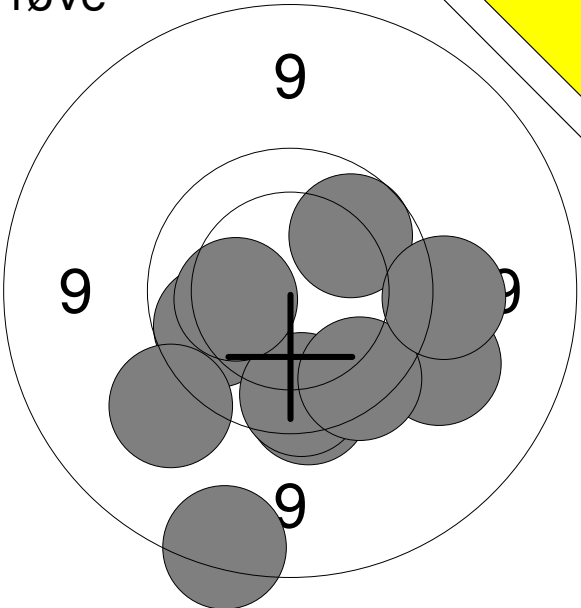
11: 9.4 ↙	Serie	35
12: 8.7 ↙		
13: 8.6 ↙	Total	0
14: 10.2 ↘		

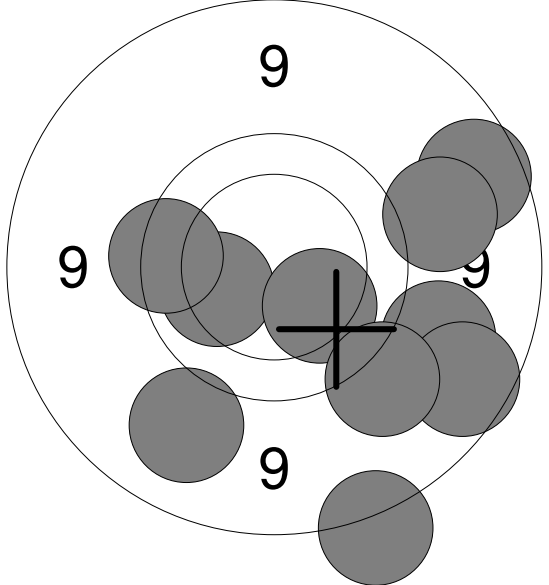


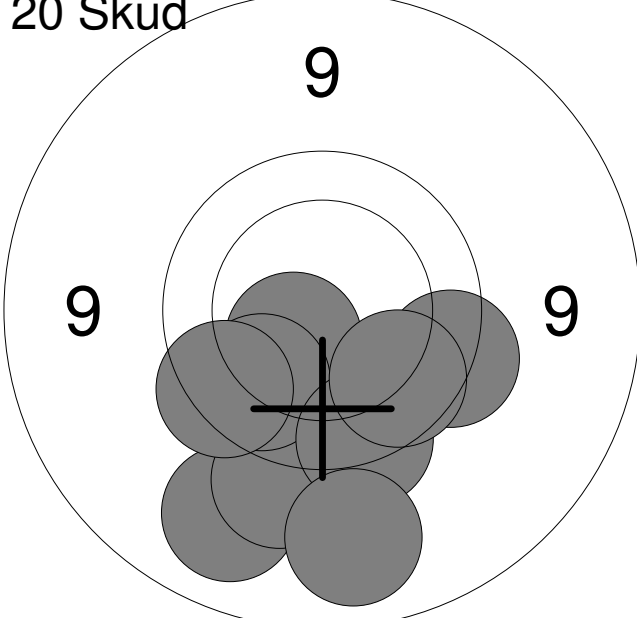
1: 9.8 ↓	6: 9.3 ↗	Serie	93
2: 10.2 ↗	7: 10.1 ↖		
3: 10.2 ↘	8: 8.2 ↗	Total	93
4: 9.5 →	9: 10.1 ↙		
5: 9.4 ↗	10: 9.5 ↗		

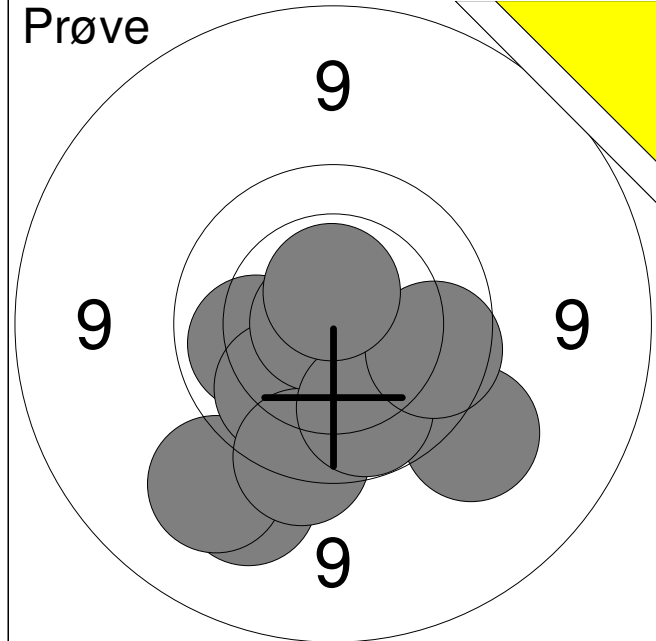
11: 9.8 ↙	16: 8.5 ↙	Serie	89
12: 8.9 ↓	17: 9.9 ↖		
13: 8.9 ↗	18: 10.3 ↖	Total	182
14: 10.3 ↗	19: 9.9 ←		
15: 9.3 ↖	20: 9.9 ↗		

Hold	Skive	Nicklas Nielsen		
69	5	Aalborg	Vilsted Skytteforening	MBK4
02.02.2018		Nordjysk mesterskab 2018	Aalborg Skyttekreds	
Prøve		1:	9.4	↑
		2:	10.4	→
		3:	9.7	↗
		4:	9.6	→
		5:	10.1	→
		6:	10.7x	←
		7:	10.1	↓
		8:	10.7x	←
		Serie		77
		Total		0
20 Skud		1:	9.7	↓
		2:	9.9	→
		3:	9.6	↙
		4:	10.3	↗
		5:	10.3	↓
		6:	9.9	↖
		7:	9.8	→
		8:	10.2	↙
		9:	9.4	↗
		10:	9.5	→
		Serie		93
		Total		93
20 Skud		11:	10.3	←
		12:	8.9	↓
		13:	10.4	↙
		14:	10.8x	↗
		15:	10.6x	↓
		16:	10.2	←
		17:	9.8	↙
		18:	10.8x	↗
		19:	9.8	↗
		20:	9.1	→
		Serie		95
		Total		188

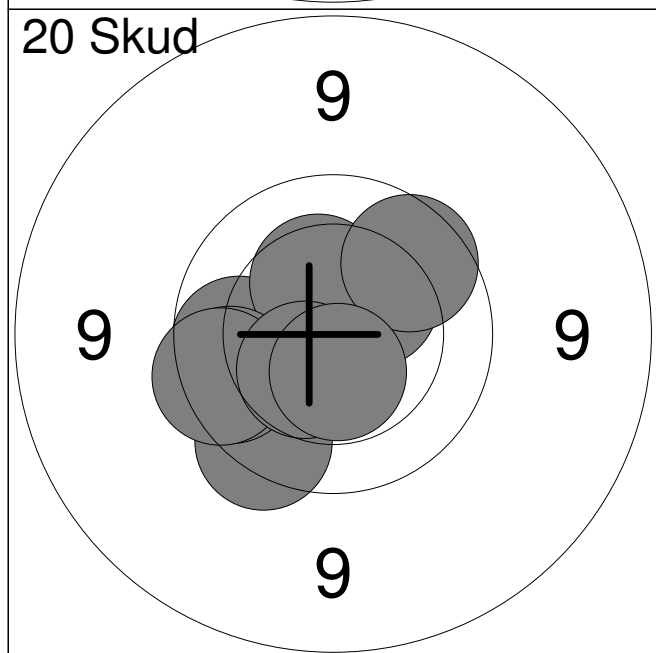
Prøve 	1:	9.4	→
	2:	8.8	↓
	3:	9.9	↗
	4:	9.9	←
	5:	9.7	↓
	6:	9.8	↓
	7:	9.4	↙
	8:	10.3	←
	9:	9.7	↘
	10:	9.4	→
	Serie		90
Total		0	

20 Skud 	1:	10.1	←
	2:	10.2	↘
	3:	9.2	↓
	4:	9.2	↗
	5:	8.9	↗
	6:	8.6	↓
	7:	9.7	←
	8:	9.2	→
	9:	8.9	↘
	10:	9.4	↘
	Serie		89
Total		89	

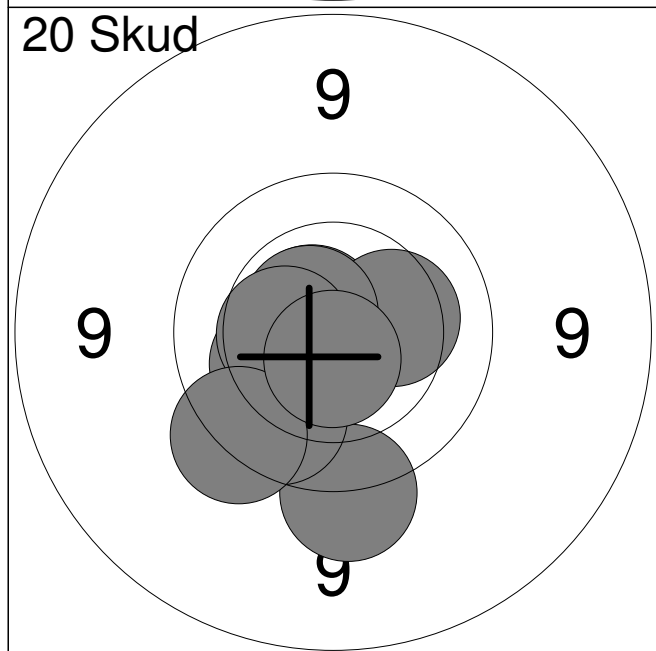
20 Skud 	11:	9.7	→
	12:	9.1	↓
	13:	9.7	↓
	14:	10.5x	↙
	15:	9.4	↓
	16:	9.9	↙
	17:	9.7	↓
	18:	9.7	←
	19:	9.1	↓
	20:	9.9	↘
	Serie		91
Total		180	



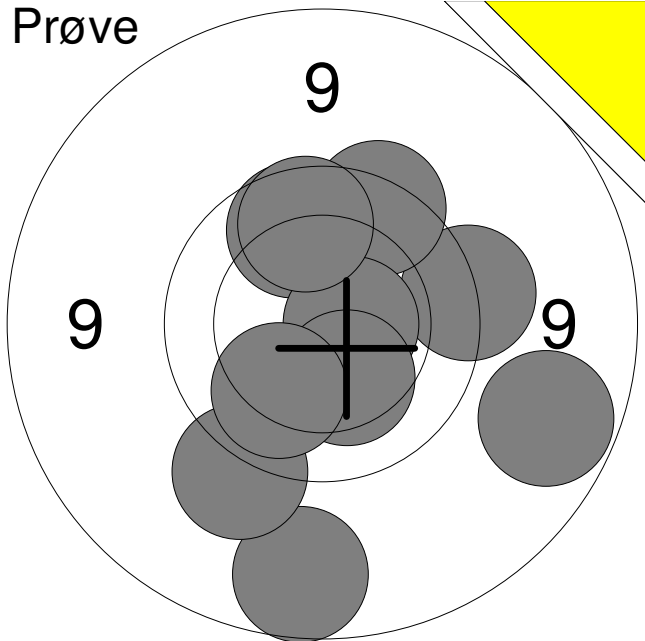
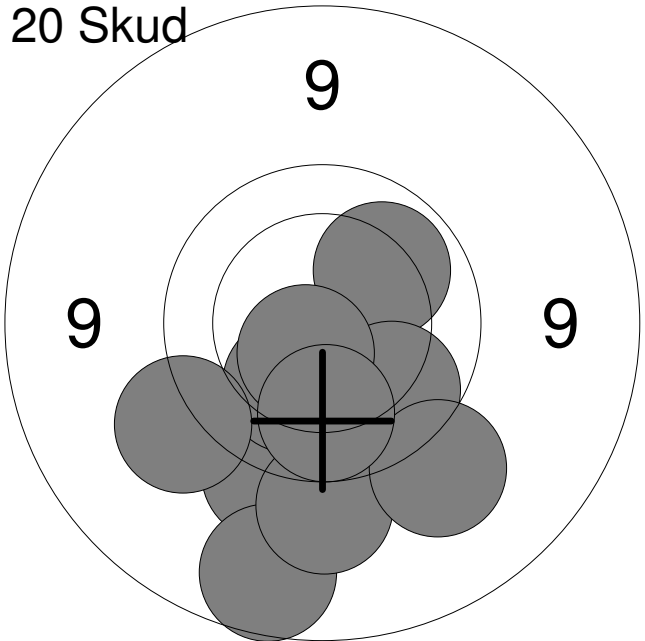
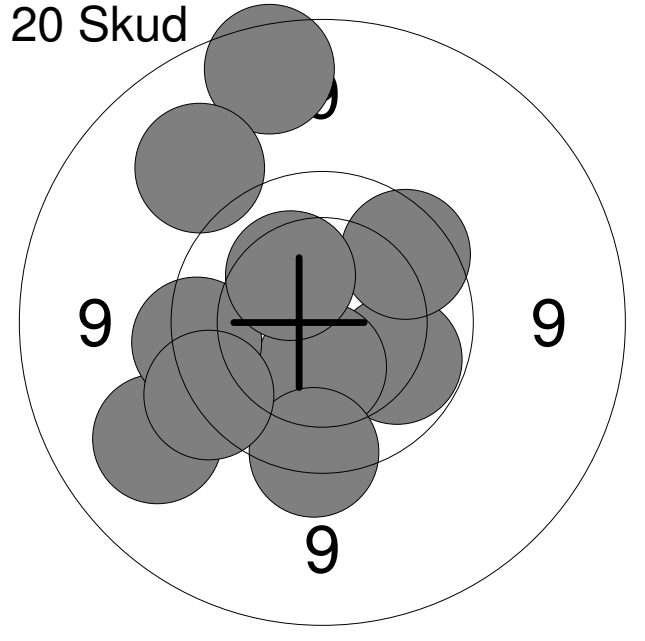
1:	9.4	↘
2:	9.3	↓
3:	10.1	←
4:	9.3	↘
5:	10.0	↘
6:	9.7	↓
7:	10.8x	←
8:	10.0	↓
9:	9.9	→
10:	10.6x	↑
Serie		95
Total		0

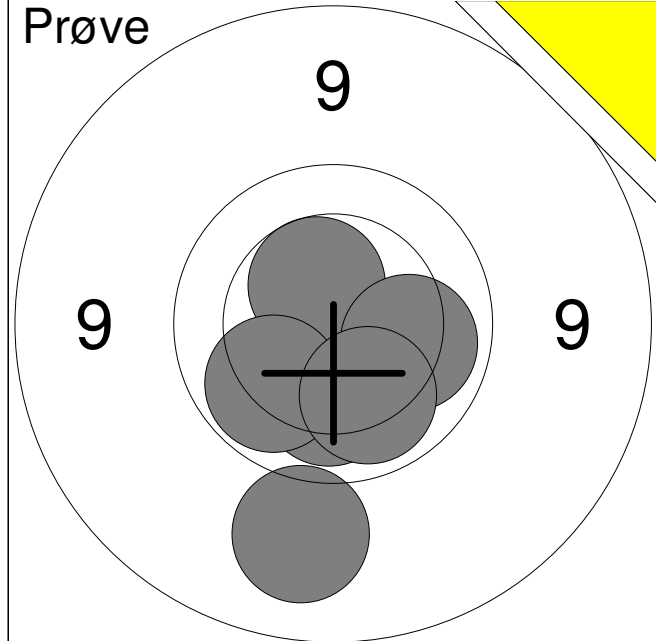


1:	9.7	↘
2:	10.5x	←
3:	9.9	←
4:	10.4	↗
5:	10.4	↑
6:	9.8	←
7:	9.9	↗
8:	9.8	←
9:	10.4	↘
10:	10.5x	↓
Serie		95
Total		95

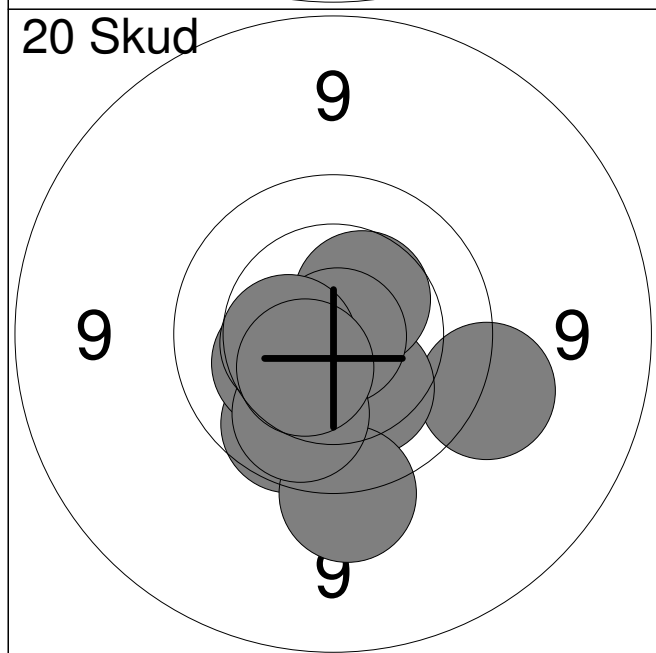


11:	10.6x	↖
12:	10.5x	↘
13:	10.3	→
14:	10.2	←
15:	9.5	↓
16:	10.6x	↖
17:	9.9	↘
18:	10.4	←
19:	9.6	↘
20:	10.7x	↓
Serie		97
Total		192

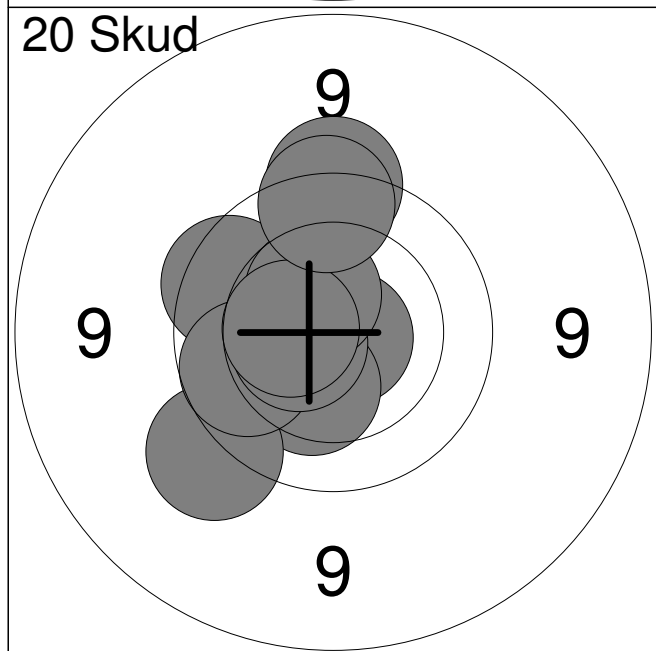
Hold	Skive	Sandie Schou		
69	9	Aalborg	Mou og Omegns Skytteforening	BK4
02.02.2018		Nordjysk mesterskab 2018	Aalborg Skyttekreds	
Prøve		1:	9.6	→
		2:	9.0	→
		3:	9.7	↑
		4:	8.9	↓
		5:	9.9	↑
		6:	10.6x	→
		7:	9.4	↓
		8:	9.9	↑
		9:	10.3	↓
		10:	10.1	↓
		Serie		92
		Total		0
20 Skud		1:	9.5	↓
		2:	10.1	↗
		3:	10.2	↓
		4:	9.9	↘
		5:	8.9	↓
		6:	9.4	↓
		7:	9.4	↖
		8:	10.6x	↓
		9:	9.4	↘
		10:	10.0	↓
		Serie		93
		Total		93
20 Skud		11:	8.9	↑
		12:	10.0	↘
		13:	10.4	↓
		14:	9.8	↗
		15:	9.2	↗
		16:	9.2	↖
		17:	9.7	←
		18:	9.7	↓
		19:	9.6	↖
		20:	10.3	↗
		Serie		92
		Total		185



1:	9.2	↓
2:	10.1	↓
3:	10.5	↗
4:	10.0	↖
5:	10.1	→
6:	10.1	↓
Serie		59
Total		0

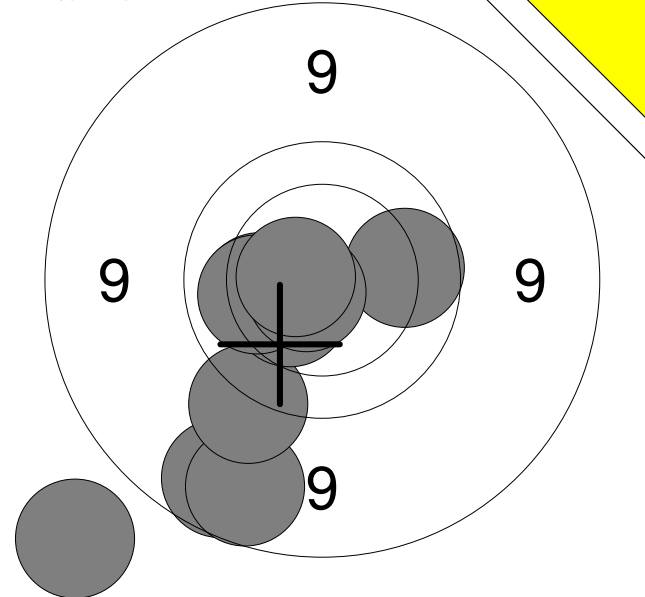


1:	9.5	→
2:	9.9	↓
3:	10.3	↓
4:	9.5	↓
5:	10.3	↖
6:	10.5	↗
7:	10.9x	→
8:	10.0	↓
9:	10.4	←
10:	10.5	↓
Serie		97
Total		97



11:	10.8x	→
12:	9.8	↖
13:	10.3	↓
14:	9.5	↖
15:	9.9	←
16:	10.6x	←
17:	10.5	↗
18:	10.5	←
19:	9.6	↑
20:	9.7	↑
Serie		95
Total		192

Prøve

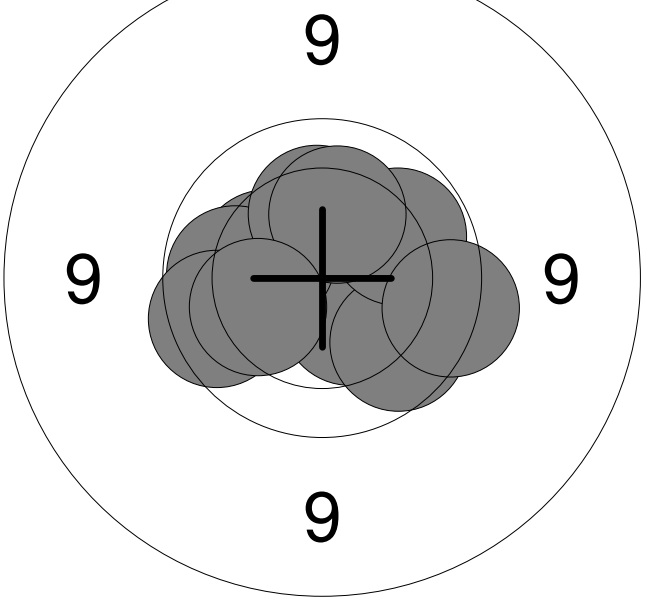


1:	8.3	↙
2:	8.9	↓
3:	8.9	↓
4:	9.5	↓
5:	10.2	←
6:	10.4	↙
7:	10.1	←
8:	9.9	→
9:	10.7x	↙
10:	10.6x	←

Serie 92

Total 0

20 Skud

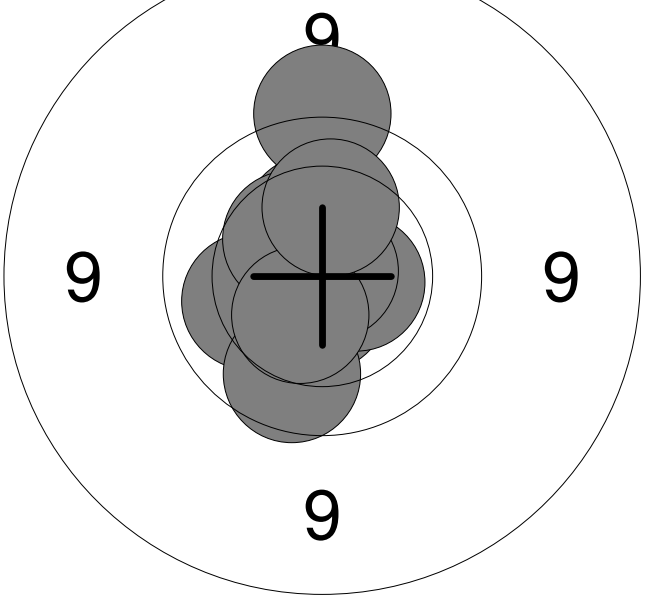


1:	10.4	↘
2:	9.9	↘
3:	10.3	↖
4:	10.0	←
5:	10.0	↗
6:	9.7	→
7:	10.2	↑
8:	10.2	↑
9:	9.8	↖
10:	10.2	↖

Serie 97

Total 97

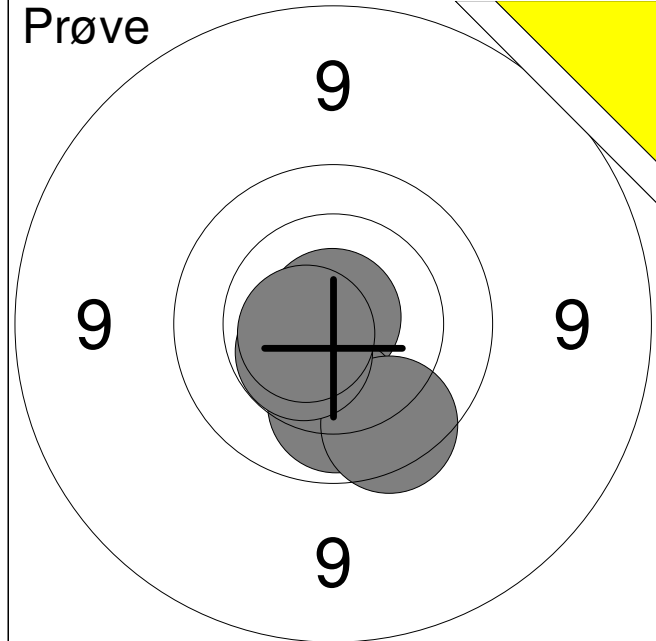
20 Skud



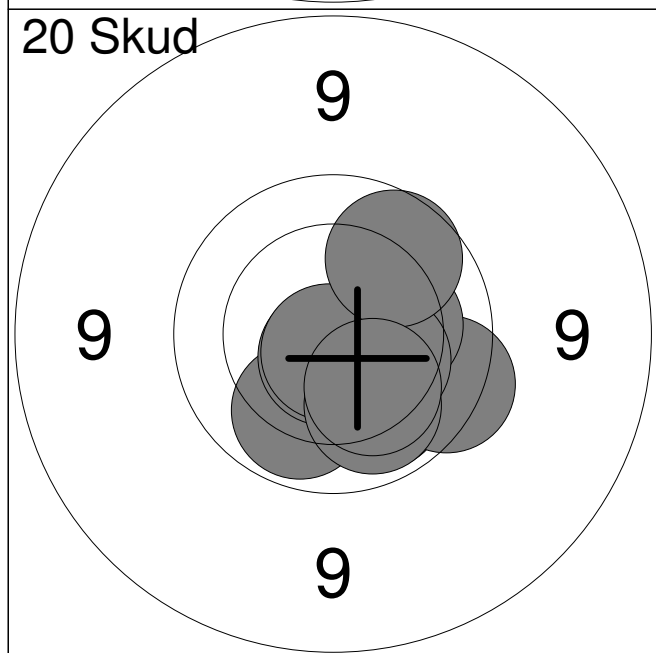
11:	10.7x	↓
12:	10.6x	→
13:	10.1	↖
14:	10.4	↑
15:	10.8x	↗
16:	9.9	↓
17:	10.4	↗
18:	10.5	↘
19:	9.5	↑
20:	10.2	↑

Serie 98

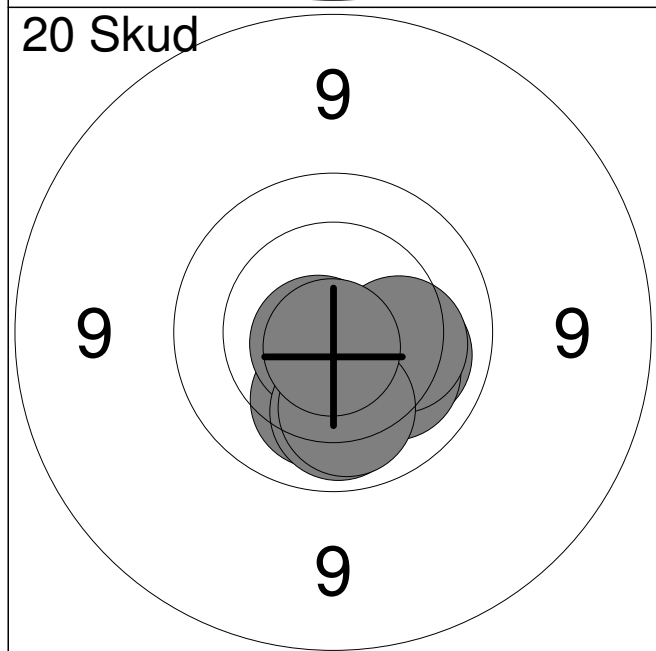
Total 195



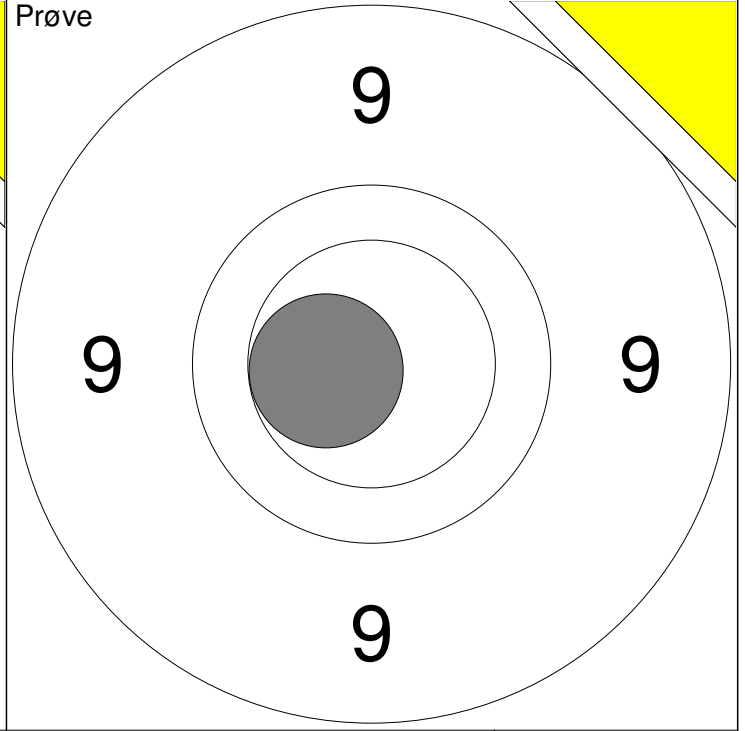
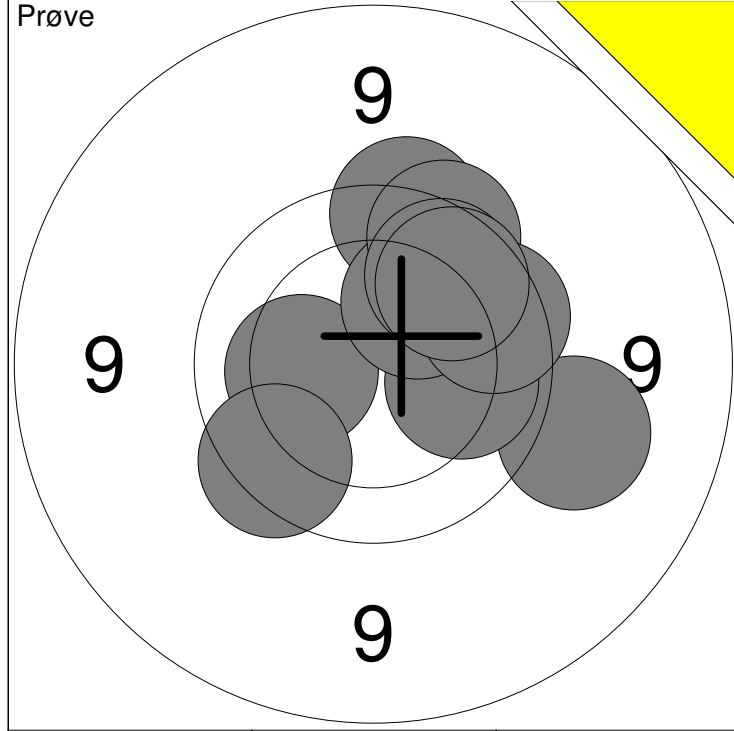
1:	10.9x	↑
2:	10.1	↓
3:	9.8	↓
4:	10.5x	↙
5:	10.6x	←
Serie		49
Total		0



1:	10.0	↓
2:	10.1	↓
3:	10.7x	↓
4:	9.7	↘
5:	10.3	→
6:	10.3	↘
7:	10.7x	↓
8:	9.9	↗
9:	10.1	↓
10:	10.2	↓
Serie		98
Total		98

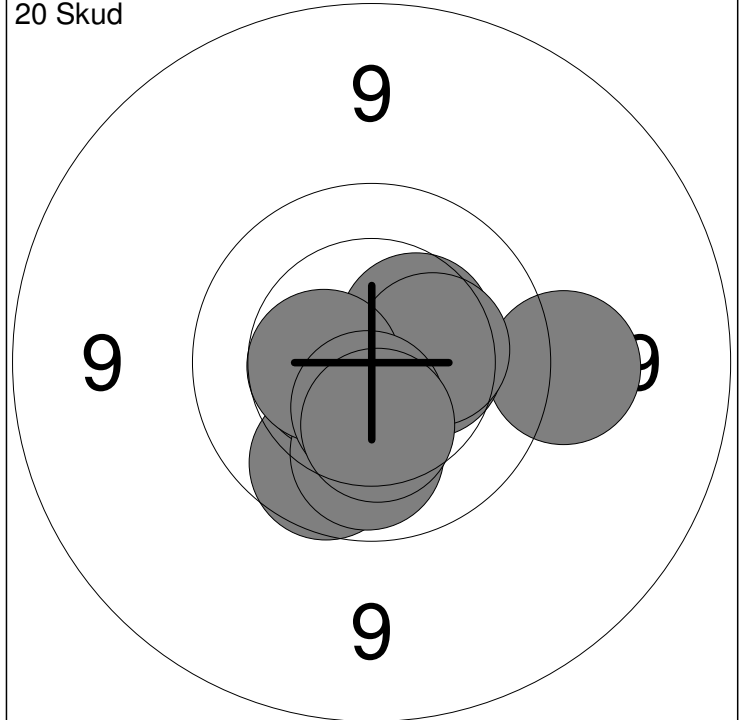
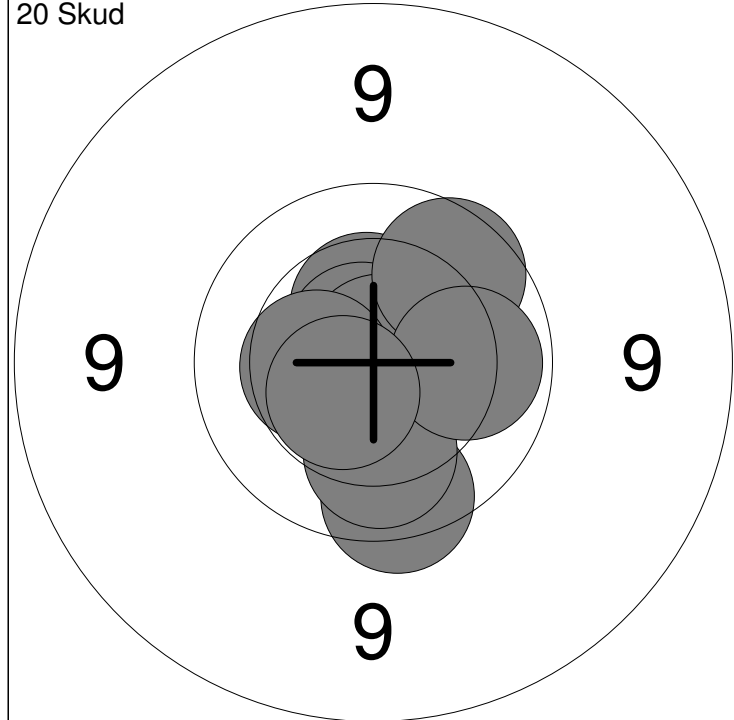


11:	10.5x	↓
12:	10.1	↘
13:	10.6x	↓
14:	10.2	↘
15:	10.2	↓
16:	10.7x	↙
17:	10.2	→
18:	10.1	↓
19:	10.1	↓
20:	10.8x	↓
Serie		100
Total		198



1: 9.3 →	6: 9.7 ↗	Serie	93
2: 10.1 →	7: 9.8 ↘		
3: 10.2 ←	8: 9.8 →	Total	0
4: 9.7 ↑	9: 9.9 ↗		
5: 10.2 ↗	10: 9.9 ↗		

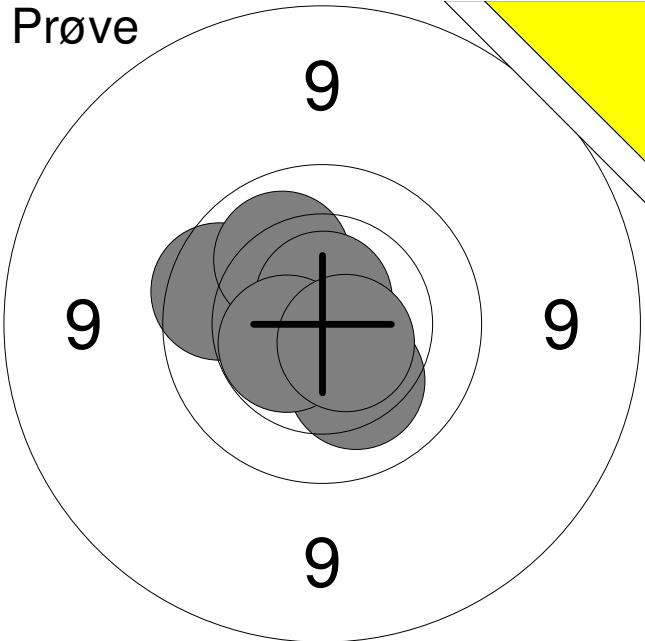
11: 10.5x ←		Serie	10
		Total	0



1: 9.8 ↓	6: 10.8x ↗	Serie	98
2: 10.7x ↓	7: 9.9 ↗		
3: 10.4 ↑	8: 10.0 →	Total	98
4: 10.1 ↓	9: 10.4 ←		
5: 10.7x ↗	10: 10.5x ↘		

11: 9.9 ↓	16: 10.3 →	Serie	98
12: 10.4 ↗	17: 10.1 ↓		
13: 9.4 →	18: 10.5 ←	Total	196
14: 10.4 →	19: 10.5x ↓		
15: 10.6x ←	20: 10.3 ↓		

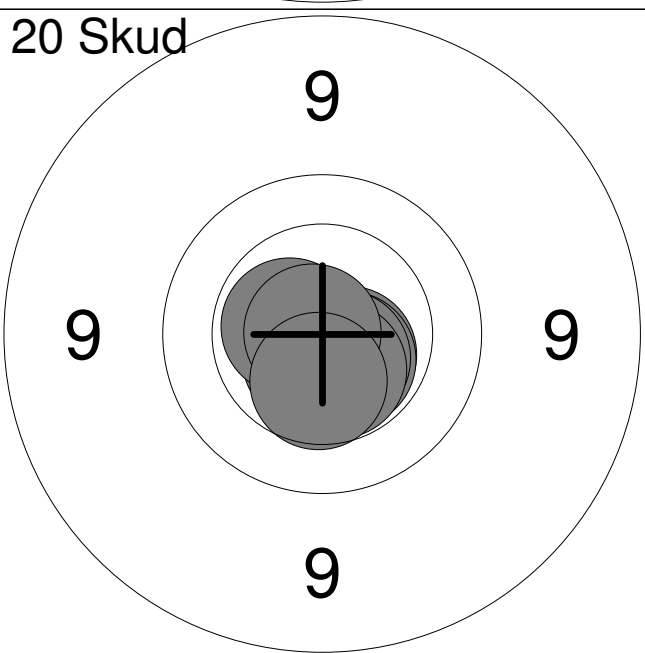
Prøve



1:	10.6x	↙
2:	9.8	↖
3:	10.1	↗
4:	10.7x	↑
5:	10.2	↘
6:	10.5x	↖
7:	10.6x	↘

Serie	69
Total	0

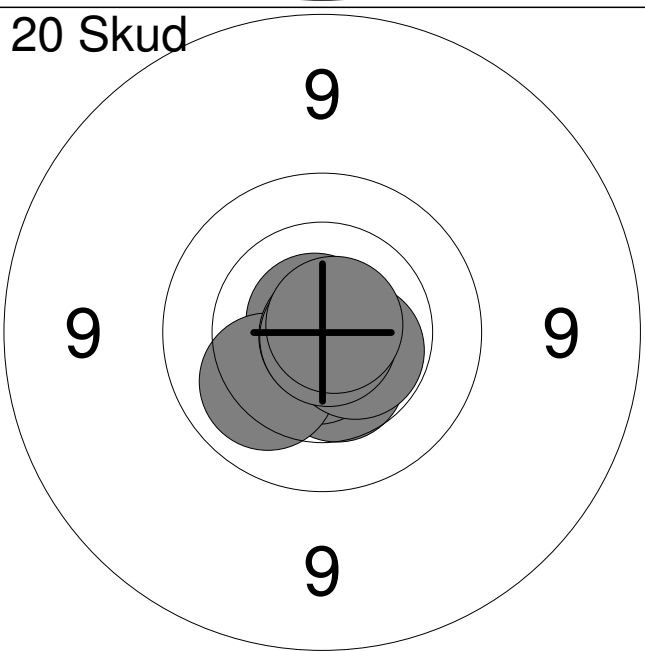
20 Skud



1:	10.7x	↘
2:	10.6x	↘
3:	10.6x	↘
4:	10.6x	↘
5:	10.7x	↘
6:	10.7x	↘
7:	10.6x	↖
8:	10.5x	↘
9:	10.8x	↖
10:	10.4	↓

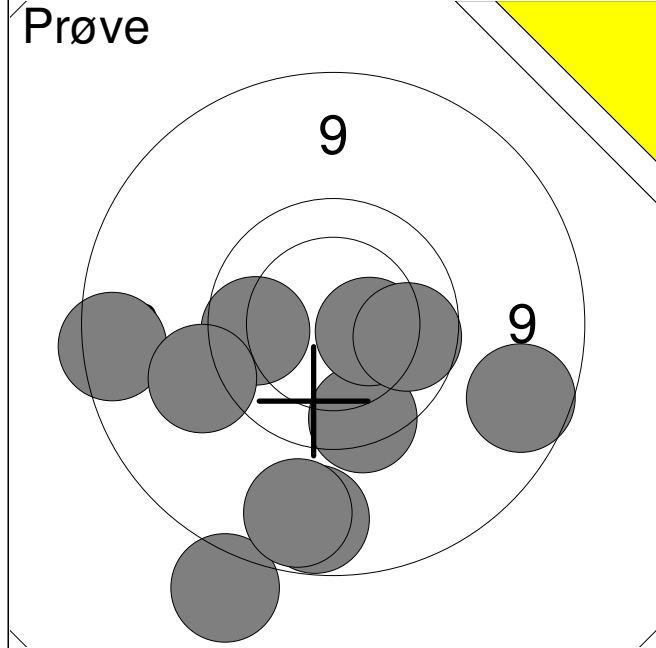
Serie	100
Total	100

20 Skud

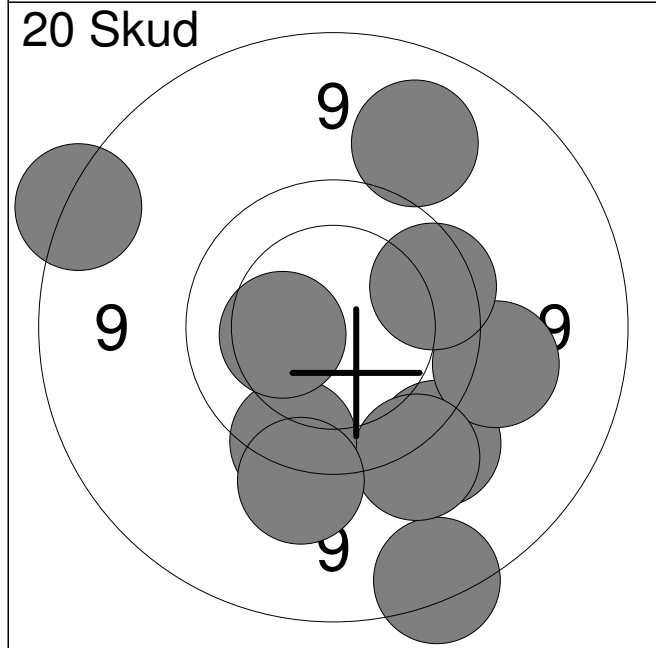


11:	10.8x	↘
12:	10.7x	↘
13:	10.5	↘
14:	10.7x	↘
15:	10.8x	↗
16:	10.1	↖
17:	10.5x	↘
18:	10.9x	↘
19:	10.9x	↘
20:	10.8x	↗

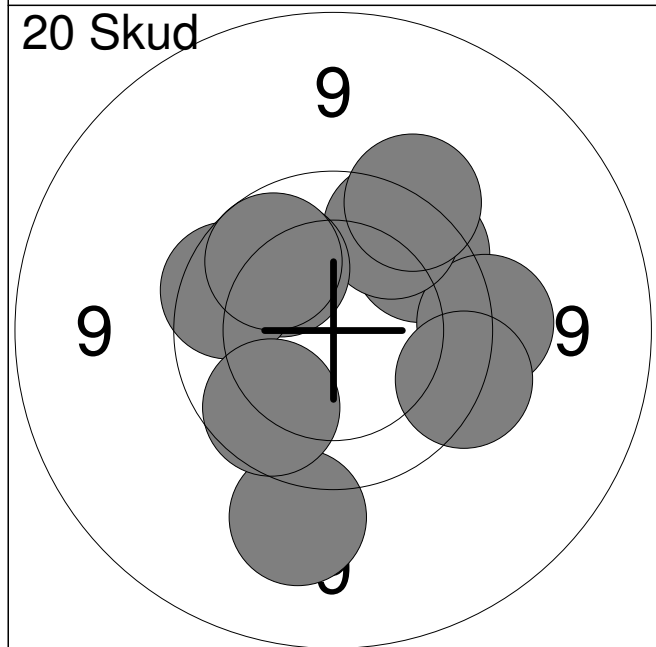
Serie	100
Total	200



1:	9.0	↓
2:	8.8	←
3:	8.5	↓
4:	9.7	↓
5:	9.9	←
6:	10.4	→
7:	8.9	→
8:	9.0	↓
9:	9.4	←
10:	9.9	→
Serie		88
Total		0

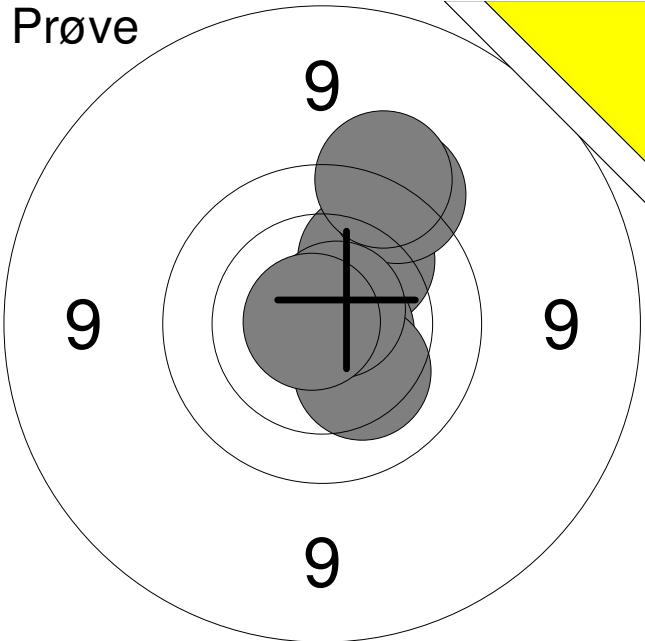


1:	9.5	↘
2:	9.4	→
3:	8.8	↓
4:	8.7	↖
5:	9.2	↗
6:	9.5	↓
7:	9.7	↓
8:	9.5	↓
9:	10.3	←
10:	9.8	→
Serie		89
Total		89



11:	9.8	↗
12:	9.6	→
13:	9.8	↗
14:	10.1	↗
15:	9.8	←
16:	9.6	→
17:	9.9	↗
18:	9.3	↓
19:	9.9	↘
20:	9.6	↗
Serie		91
Total		180

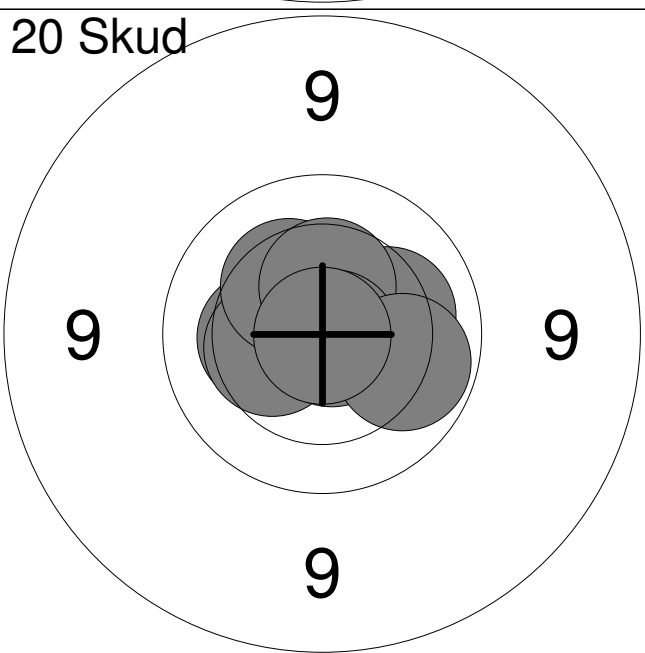
Prøve



1:	10.1	↗
2:	9.6	↗
3:	10.7x	→
4:	9.5	↗
5:	10.3	↘
6:	10.7x	↗
7:	10.8x	←

Serie	68
Total	0

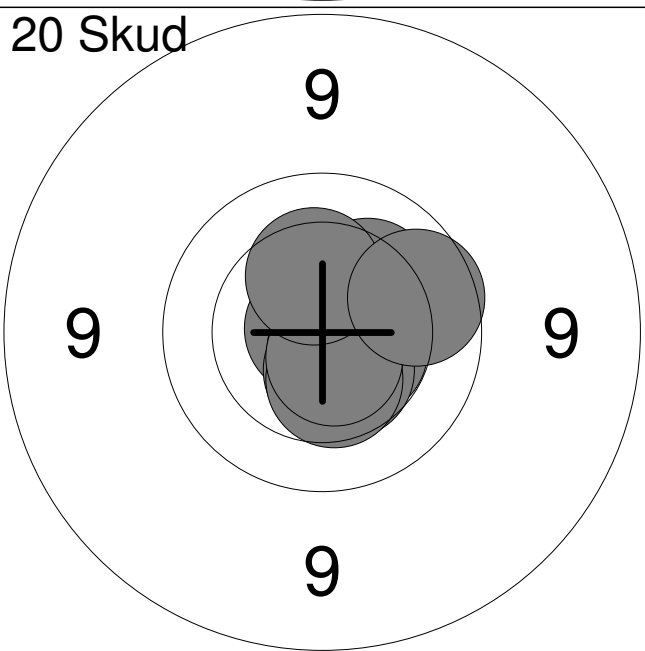
20 Skud



1:	10.3	←
2:	10.6x	→
3:	10.2	→
4:	10.4	←
5:	10.6x	↑
6:	10.3	↗
7:	10.4	↑
8:	10.8x	→
9:	10.0	→
10:	10.9x	↓

Serie	100
Total	100

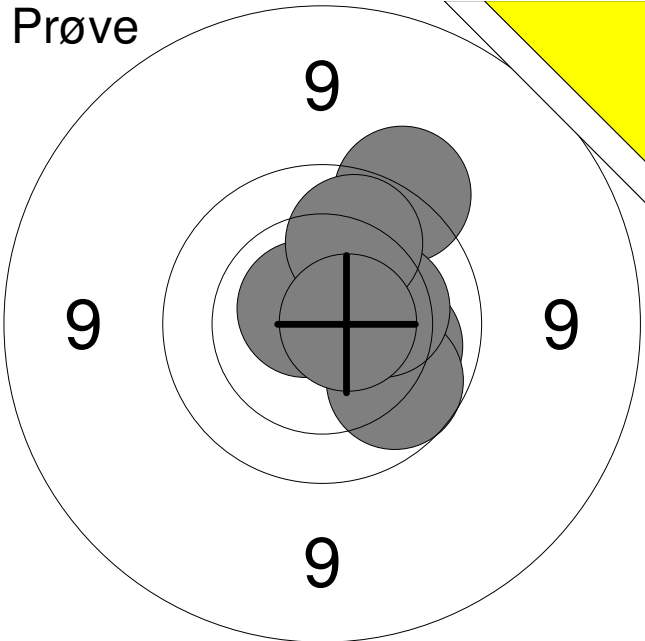
20 Skud



11:	10.8x	↖
12:	10.5x	↓
13:	10.5x	↘
14:	10.5	↘
15:	10.4	↓
16:	10.2	↗
17:	10.7x	↘
18:	10.6x	↘
19:	10.3	↑
20:	9.9	→

Serie	99
Total	199

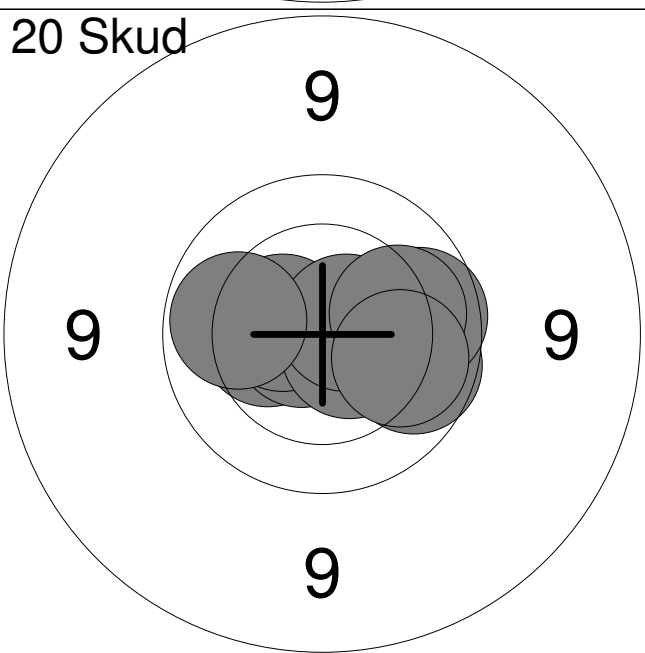
Prøve



1:	10.1	→
2:	9.6	↗
3:	9.9	↘
4:	10.7x	↗
5:	10.3	→
6:	10.0	↗
7:	10.7x	→

Serie	68
Total	0

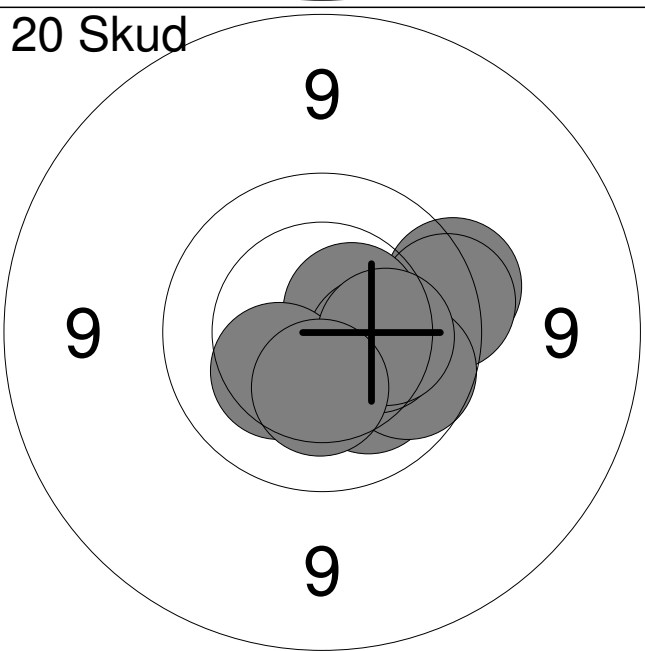
20 Skud



1:	10.3	←
2:	9.9	→
3:	10.7x	←
4:	9.9	→
5:	10.5x	←
6:	10.6x	↘
7:	10.7x	↗
8:	10.0	←
9:	10.1	→
10:	10.0	→

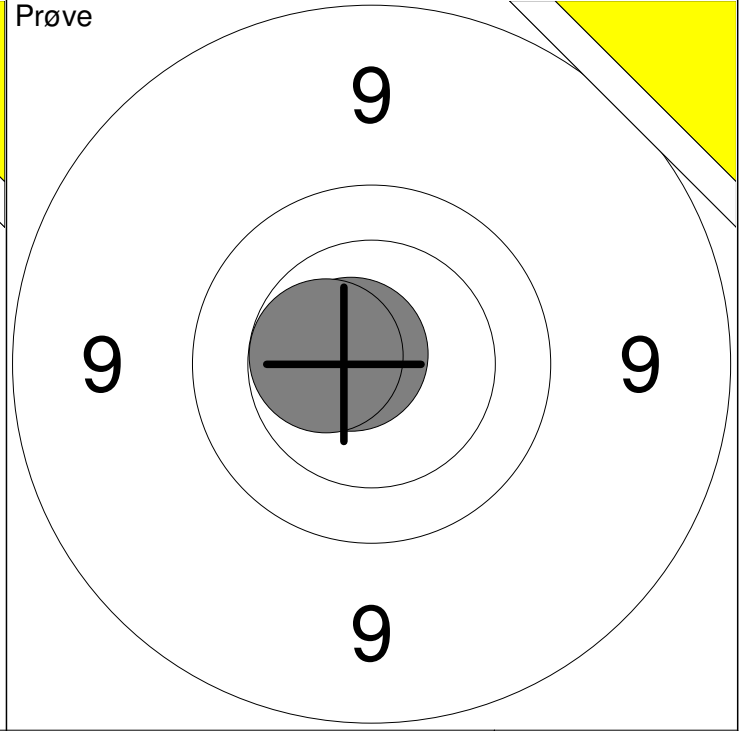
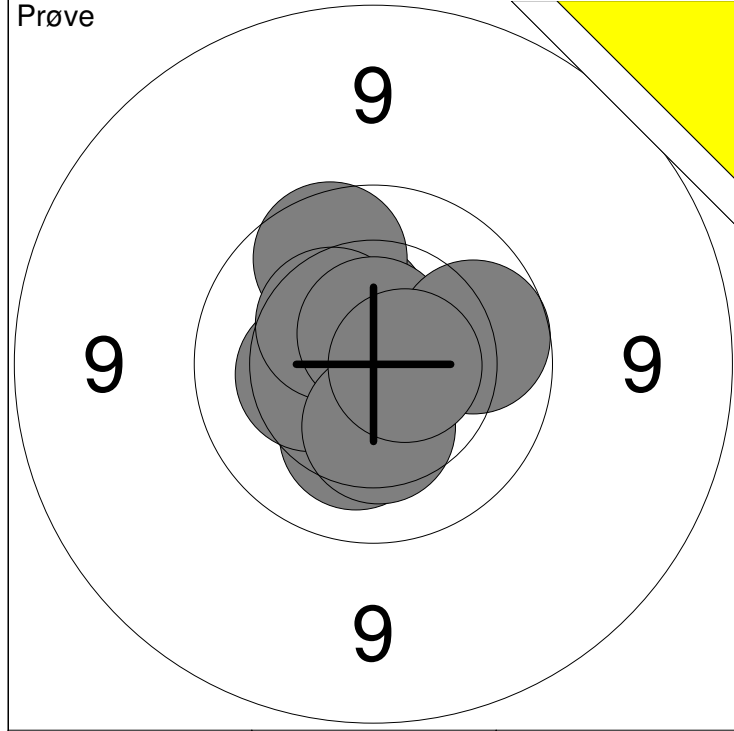
Serie	98
Total	98

20 Skud



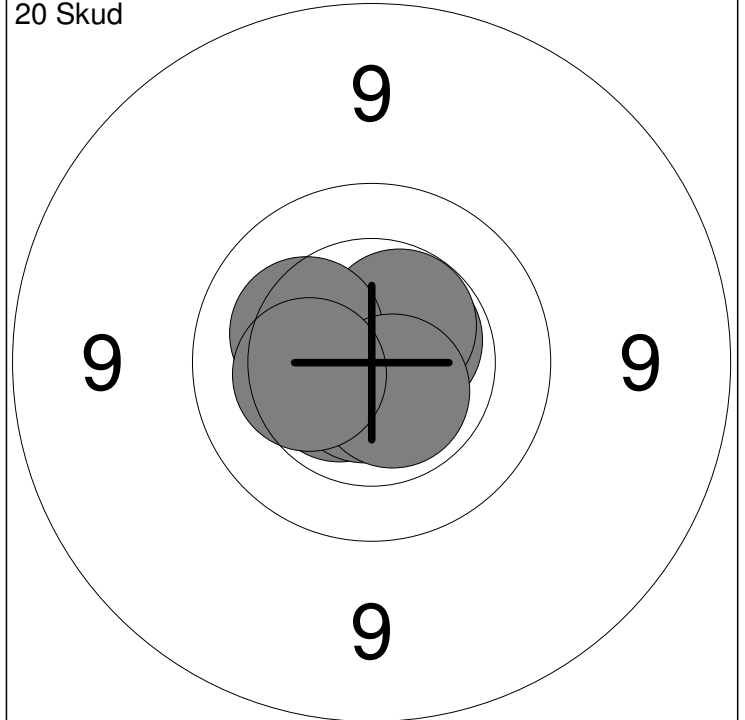
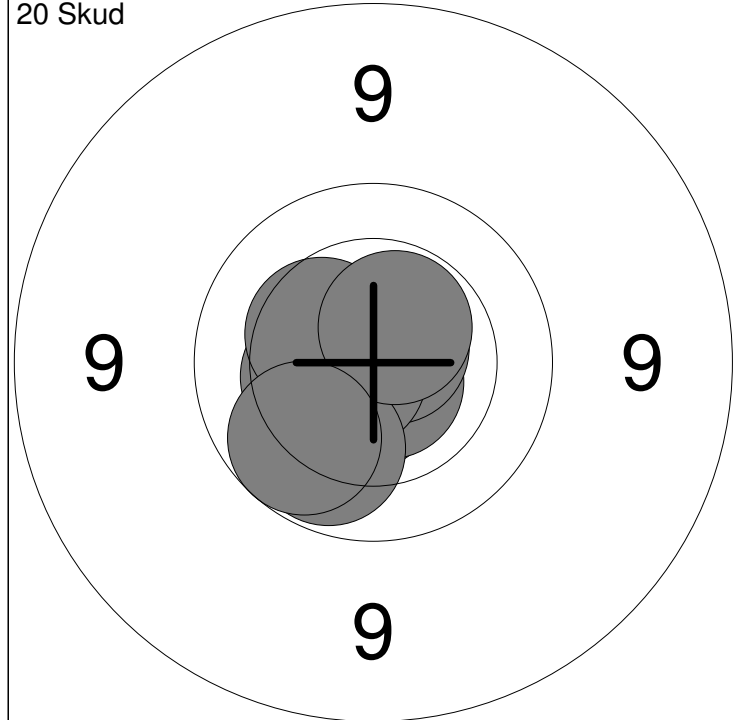
11:	9.6	→
12:	10.3	↘
13:	9.7	→
14:	10.2	↘
15:	10.5x	↗
16:	9.9	↘
17:	10.4	→
18:	10.3	↖
19:	10.2	→
20:	10.3	↓

Serie	97
Total	195



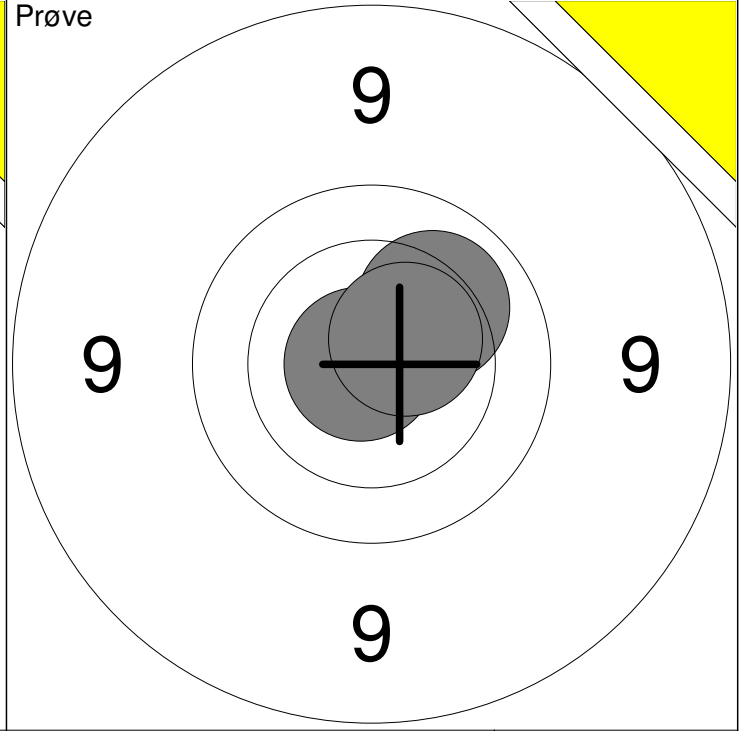
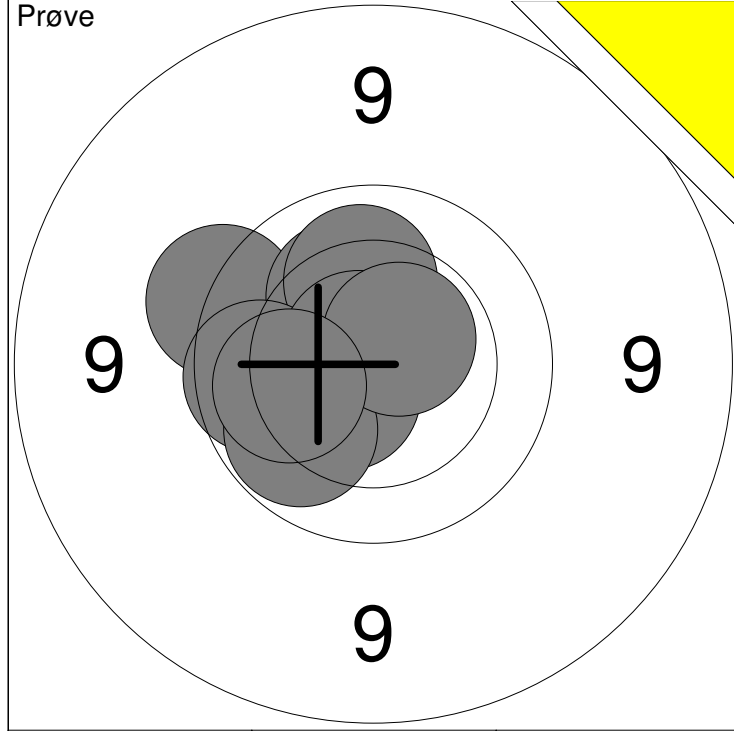
1: 10.4 ↗	6: 10.4 ↖	Serie	98
2: 9.9 ↗	7: 10.7x ↑		
3: 10.7x ↙	8: 9.9 →	Total	0
4: 10.3 ↓	9: 10.3 ↓		
5: 10.3 ←	10: 10.6x →		

11: 10.7x ↖	Serie	20
12: 10.5x ↖		
Total		0



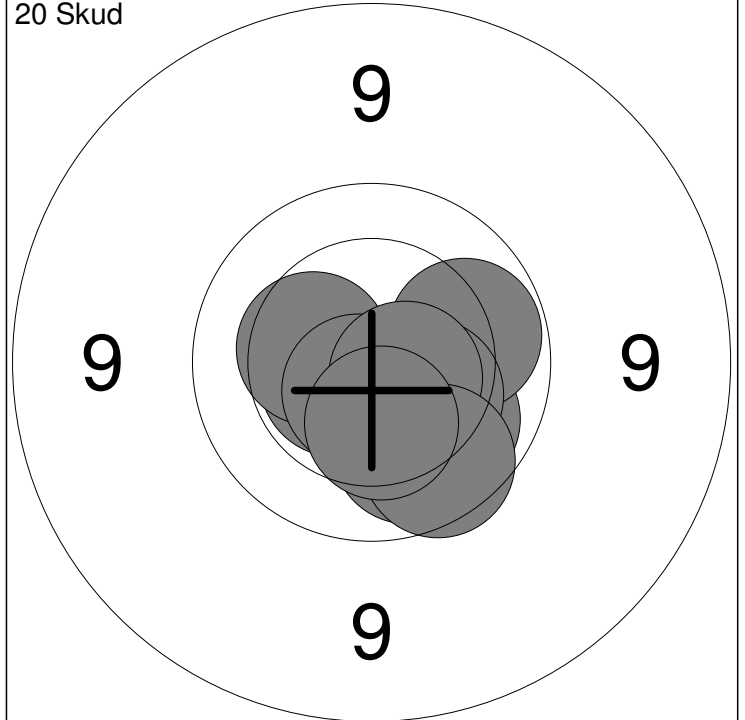
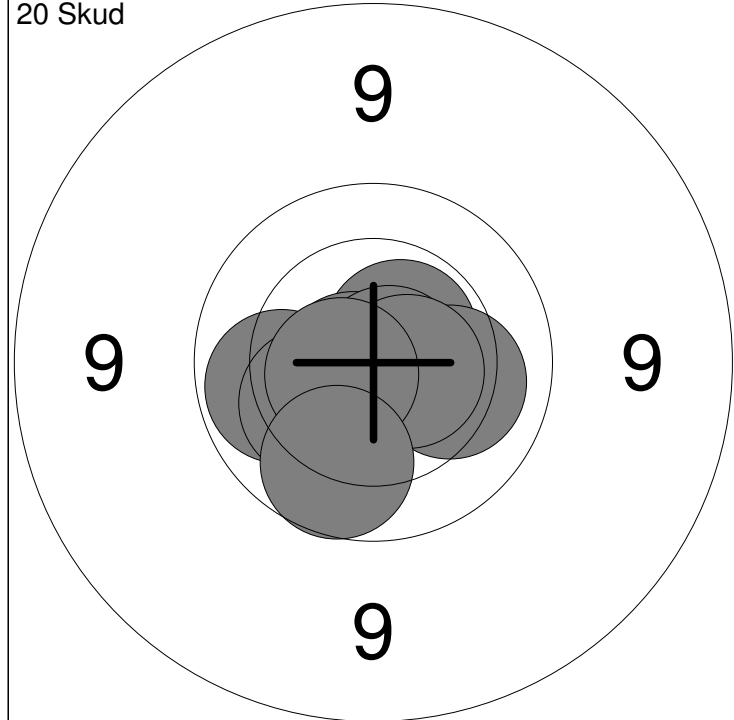
1: 10.7x ←	6: 10.7x ←	Serie	99
2: 10.6x ↓	7: 10.4 ↖		
3: 10.4 ←	8: 10.0 ↓	Total	99
4: 10.7x ↓	9: 10.5x ↗		
5: 10.7x ↗	10: 9.9 ↙		

11: 10.6x ↙	16: 10.6x ↗	Serie	100
12: 10.6x ←	17: 10.5x ↗		
13: 10.8x ↓	18: 10.2 ↖	Total	199
14: 10.8x ←	19: 10.6x ↓		
15: 10.7x ↓	20: 10.3 ←		



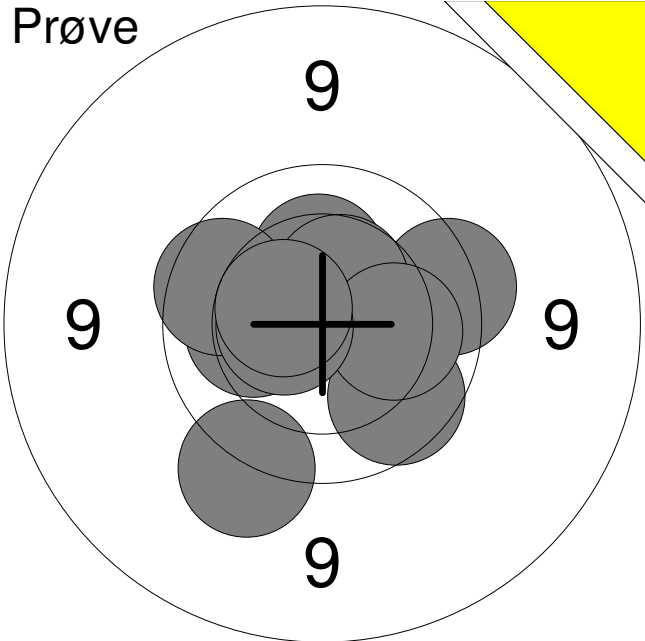
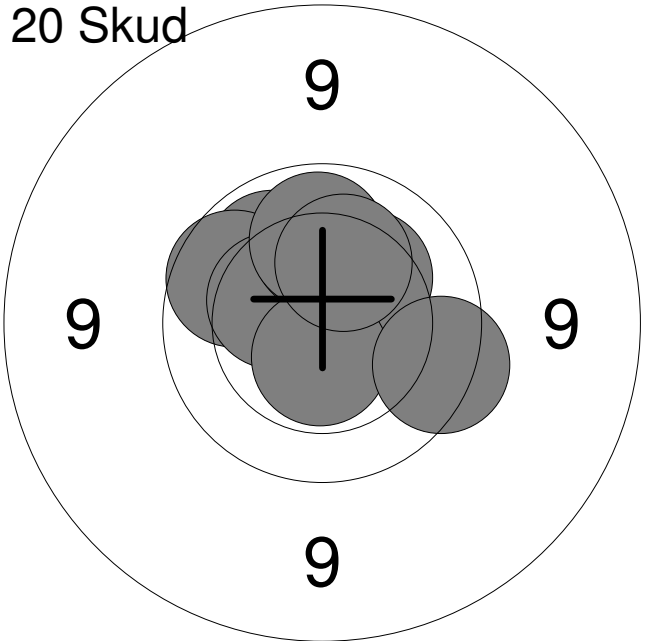
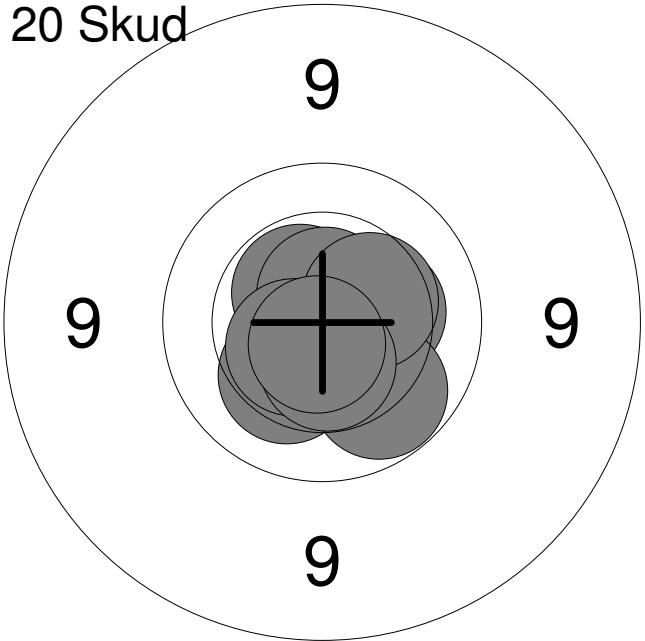
1: 10.0 ←	6: 10.7x ↖	Serie 98
2: 9.6 ↖	7: 10.5x ↙	
3: 10.2 ↗	8: 10.0 ↙	Total 0
4: 10.1 ↑	9: 10.6x ↗	
5: 9.9 ←	10: 10.1 ←	

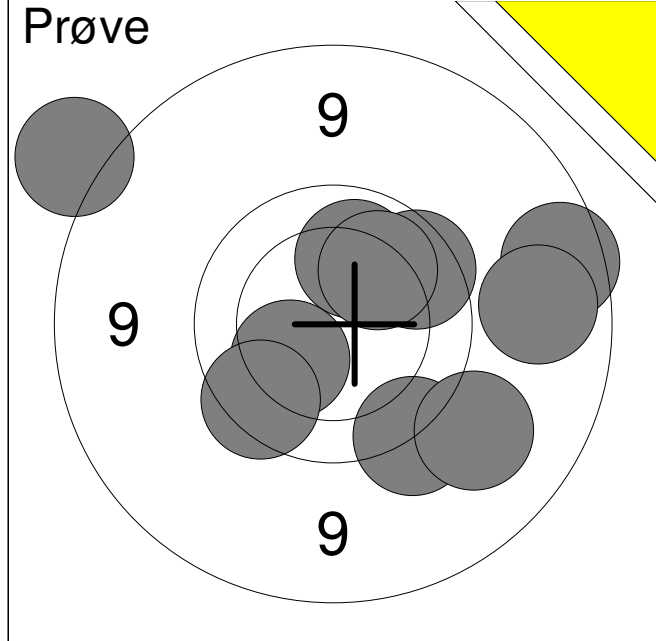
11: 10.8x ←	Serie 30
12: 10.1 ↗	
13: 10.5x ↗	Total 0



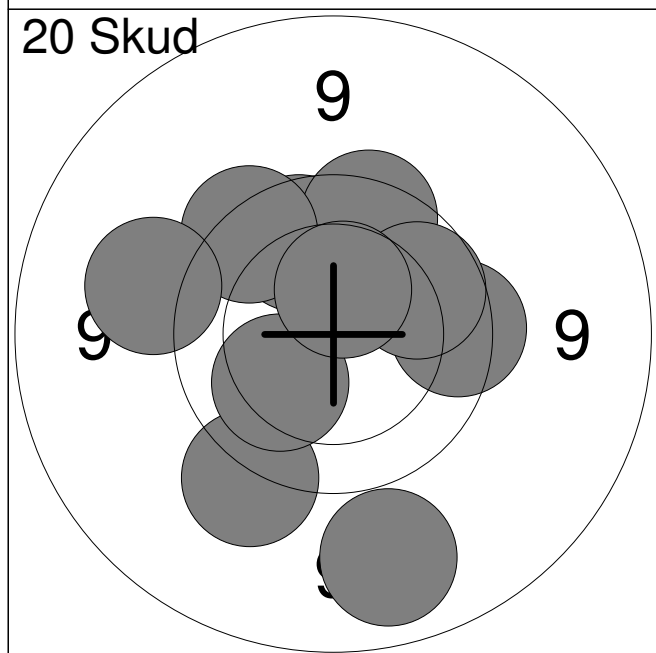
1: 10.6x ↗	6: 10.7x ←	Serie 99
2: 10.0 ←	7: 10.8x →	
3: 10.7x ↓	8: 10.6x →	Total 99
4: 10.3 ↙	9: 10.6x ←	
5: 10.2 →	10: 9.9 ↓	

11: 10.1 ↘	16: 10.3 ↘	Serie 99
12: 10.0 ↓	17: 10.6x ↓	
13: 10.0 →	18: 10.6x ↘	Total 198
14: 10.6x ↙	19: 9.9 ↓	
15: 10.4 ←	20: 10.3 ↓	

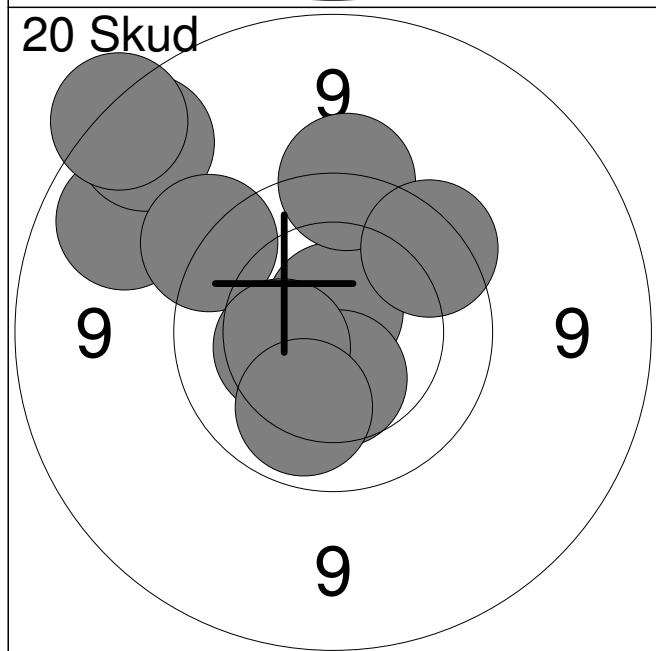
Hold	Skive	Nickie Schou		
70	8	Mou og Omegns Skytteforening		MBK4
02.02.2018	Nordjysk mesterskab 2018		Aalborg Skyttekreds	
Prøve 	1:	9.5	↘	
	2:	10.2	←	
	3:	9.9	↘	
	4:	10.3	↑	
	5:	9.9	←	
	6:	9.7	→	
	7:	10.5	↗	
	8:	10.2	→	
	9:	10.5x	←	
	10:	10.5	↖	
	Serie			96
Total			0	
20 Skud 	1:	10.3	↗	
	2:	10.1	↗	
	3:	9.9	↖	
	4:	10.4	↖	
	5:	10.2	↑	
	6:	10.1	↑	
	7:	10.0	↑	
	8:	10.6x	↓	
	9:	10.2	↗	
	10:	9.7	→	
	Serie			98
Total			98	
20 Skud 	11:	10.6x	↓	
	12:	10.5x	↗	
	13:	10.3	→	
	14:	10.7x	↑	
	15:	10.2	↘	
	16:	10.0	↘	
	17:	10.4	→	
	18:	10.5x	↖	
	19:	10.5x	↓	
	20:	10.7x	↓	
	Serie			100
Total			198	



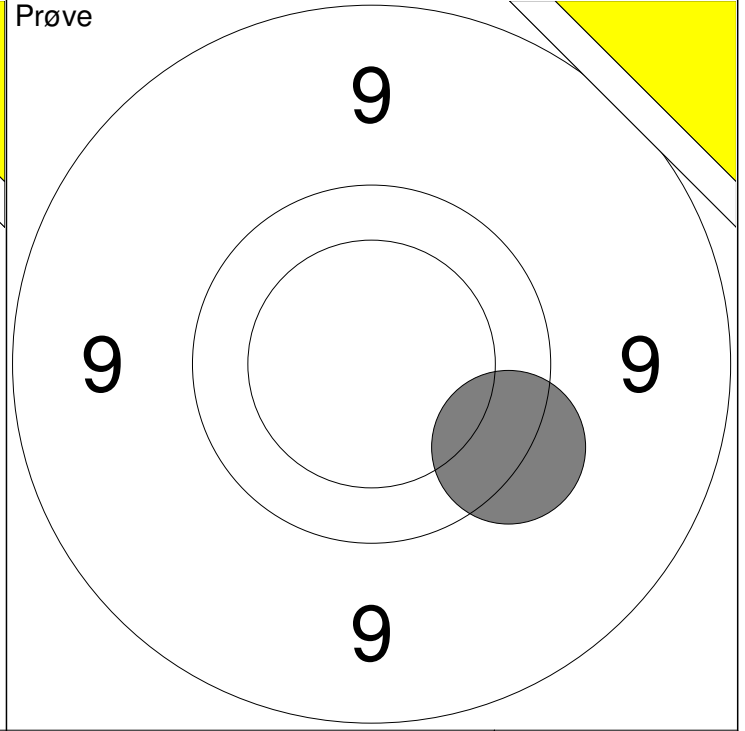
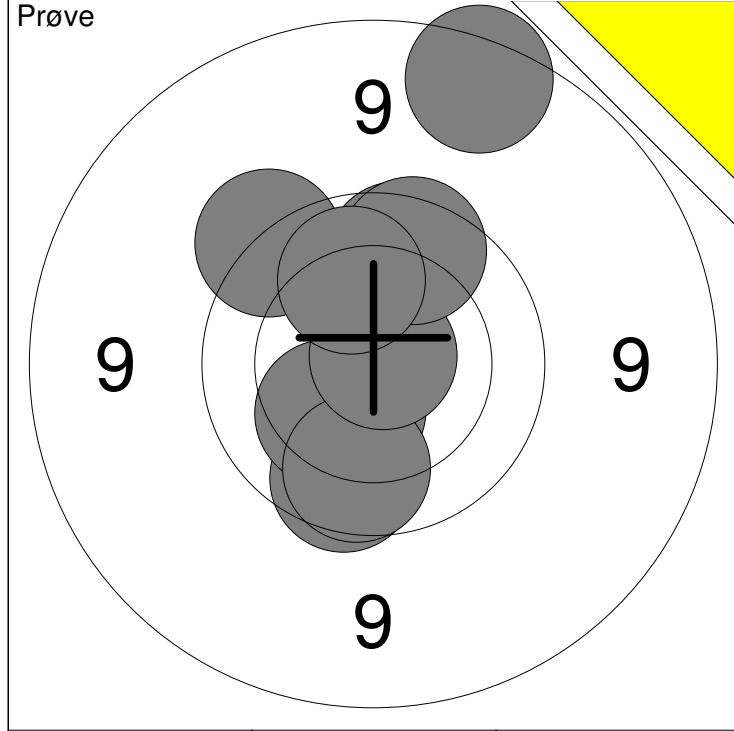
1:	9.8	↗
2:	10.1	↑
3:	10.1	↗
4:	9.5	↘
5:	9.3	↘
6:	10.2	↖
7:	8.9	→
8:	9.0	→
9:	9.8	↖
10:	8.5	↖
Serie		91
Total		0



1:	9.7	→
2:	9.5	↘
3:	9.1	↘
4:	9.9	↑
5:	9.8	↑
6:	9.7	↗
7:	10.2	↖
8:	9.3	↖
9:	9.9	↗
10:	10.4	↑
Serie		92
Total		92

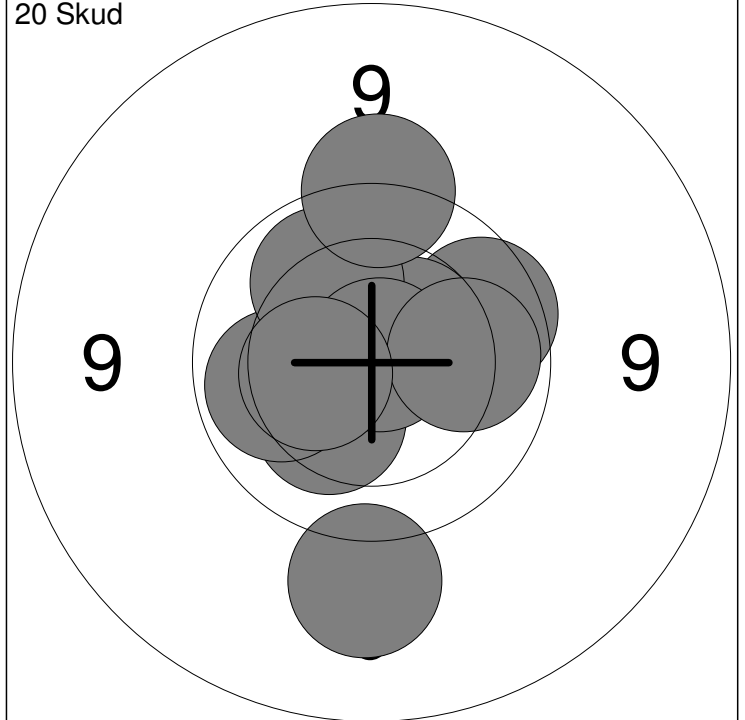
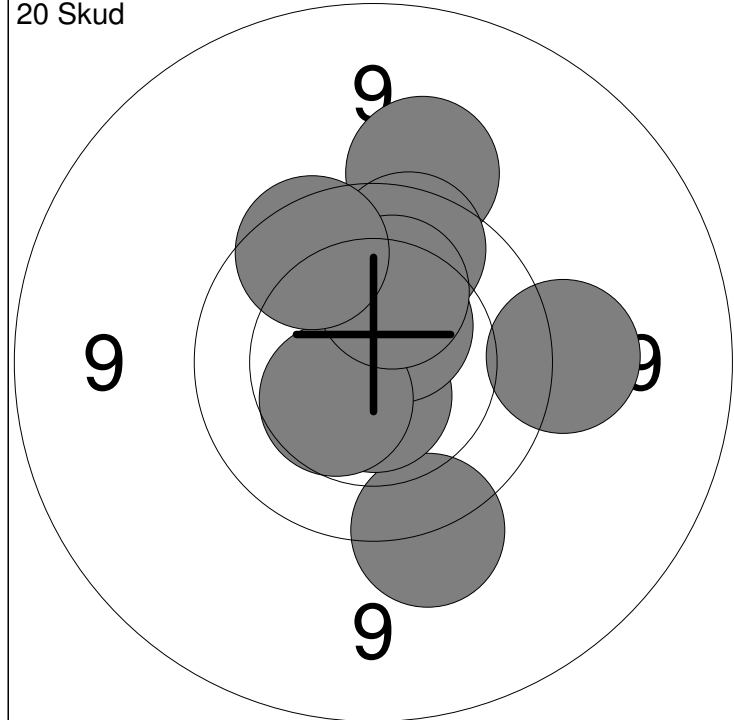


11:	10.7x	↑
12:	9.0	↖
13:	8.9	↗
14:	9.6	↑
15:	8.7	↗
16:	10.4	↘
17:	9.6	↗
18:	10.4	↖
19:	10.1	↘
20:	9.7	↗
Serie		92
Total		184



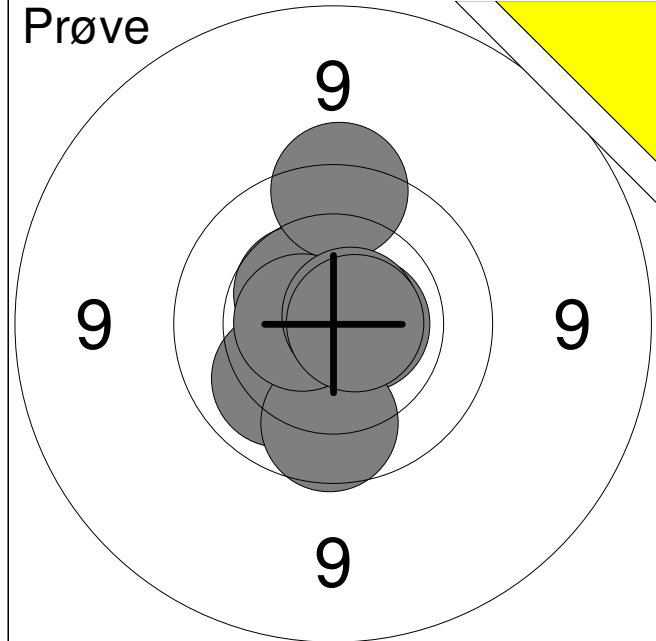
1: 9.8 ↓	6: 8.8 ↑	Serie	93
2: 10.4 ↓	7: 9.9 ↑		
3: 10.3 ↙	8: 10.8x ↗	Total	0
4: 9.9 ↓	9: 9.8 ↑		
5: 9.6 ↖	10: 10.1 ↑		

11: 9.6 →	Serie	9
	Total	0

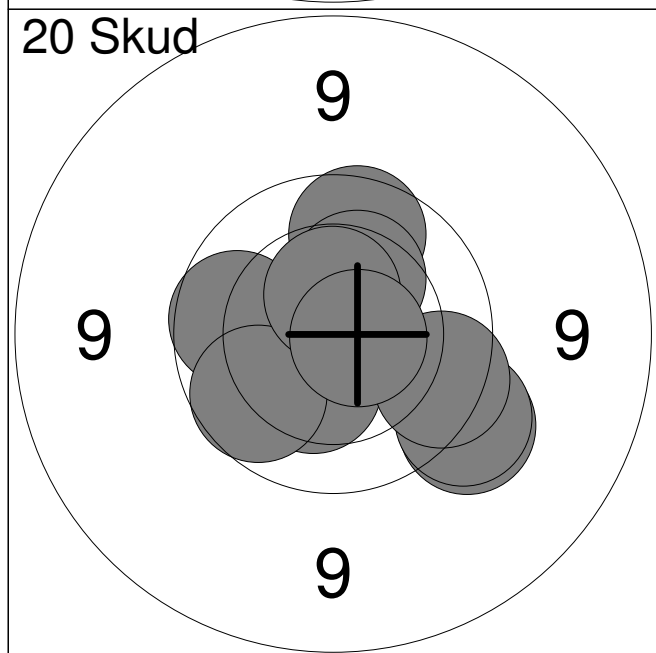


1: 9.5 ↓	6: 10.5x ↑	Serie	94
2: 9.9 ↑	7: 10.4 ↙		
3: 10.6x ↓	8: 10.2 ↑	Total	94
4: 9.4 ↑	9: 9.5 →		
5: 9.9 ↑	10: 9.8 ↖		

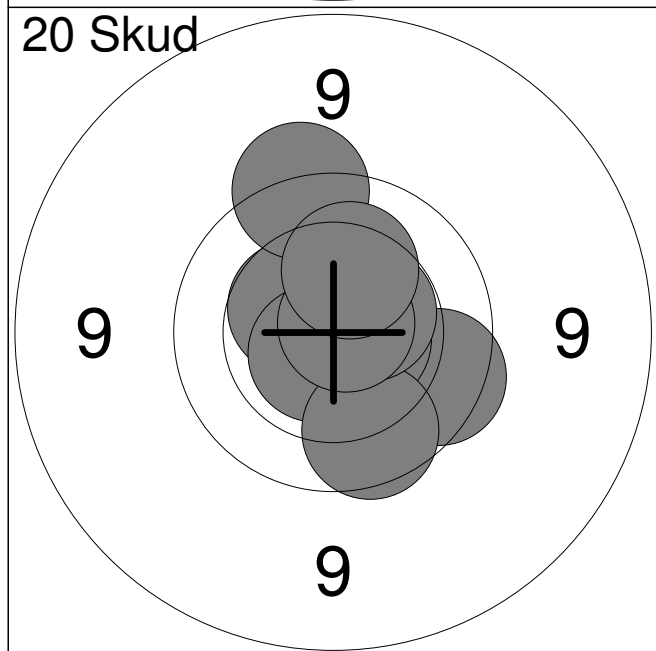
11: 9.9 ↗	16: 10.8x ↗	Serie	97
12: 10.3 ↓	17: 9.6 ↑		
13: 10.0 ←	18: 10.0 →	Total	191
14: 10.5 ↗	19: 10.4 ←		
15: 10.1 ↖	20: 9.3 ↓		



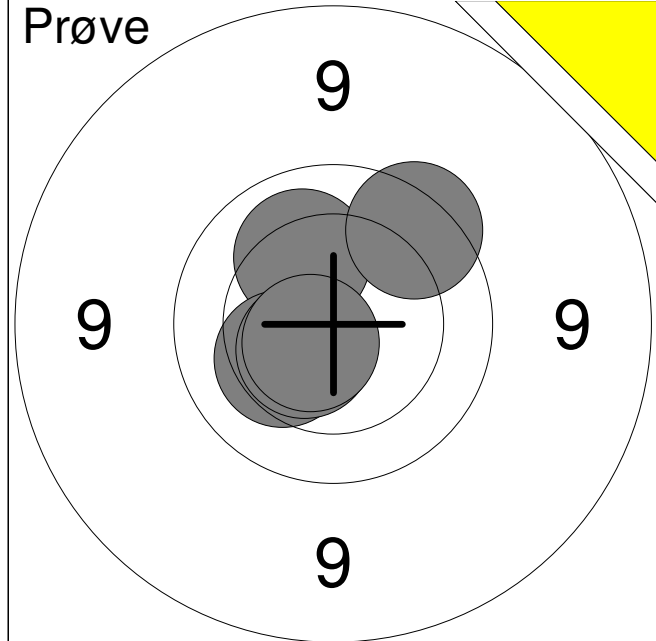
1:	10.5	↗
2:	10.1	↘
3:	10.6x	→
4:	9.9	↓
5:	9.7	↑
6:	10.6x	←
7:	10.7x	↗
8:	10.7x	→
Serie		78
Total		0



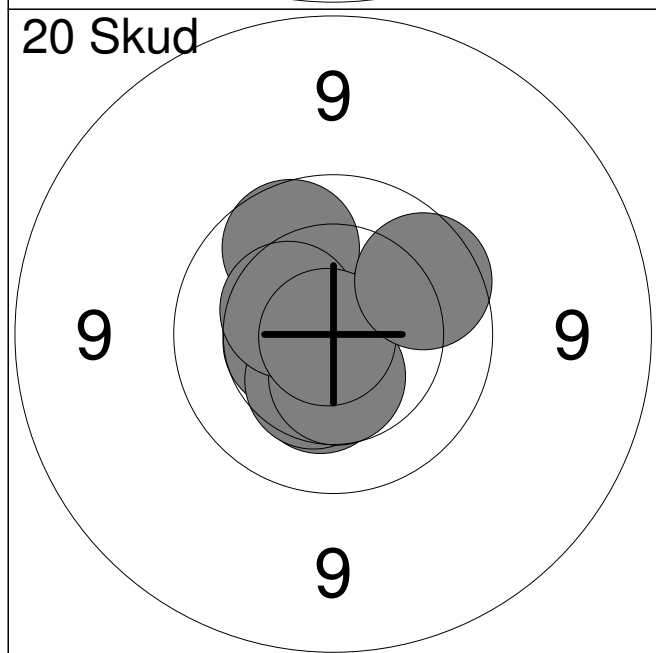
1:	9.9	↑
2:	9.5	↘
3:	9.6	↘
4:	9.9	←
5:	10.3	↘
6:	9.9	↙
7:	10.3	↑
8:	9.8	↘
9:	10.5x	↑
10:	10.7x	→
Serie		94
Total		94



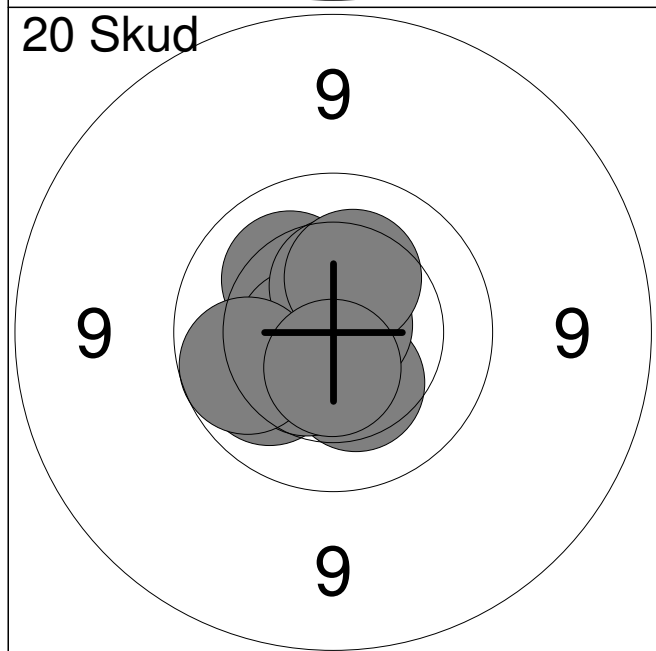
11:	9.8	↘
12:	10.6x	↗
13:	10.6x	→
14:	10.5	↖
15:	10.6x	↘
16:	9.9	↓
17:	10.5x	↗
18:	9.6	↑
19:	10.8x	↗
20:	10.2	↑
Serie		97
Total		191



1:	10.1	↗
2:	10.3	↙
3:	9.7	↗
4:	10.5x	↙
5:	10.6x	↙
Serie		49
Total		0



1:	10.9x	↑
2:	9.9	↗
3:	10.5	↙
4:	10.5	↙
5:	10.4	↓
6:	10.4	↓
7:	10.5	↓
8:	10.4	↖
9:	10.9x	↙
10:	9.9	↗
Serie		98
Total		98



11:	10.2	↗
12:	10.6x	↙
13:	10.3	↓
14:	10.1	↙
15:	10.8x	↗
16:	10.5	↙
17:	10.4	↑
18:	10.3	↗
19:	9.9	↙
20:	10.6x	↓
Serie		99
Total		197